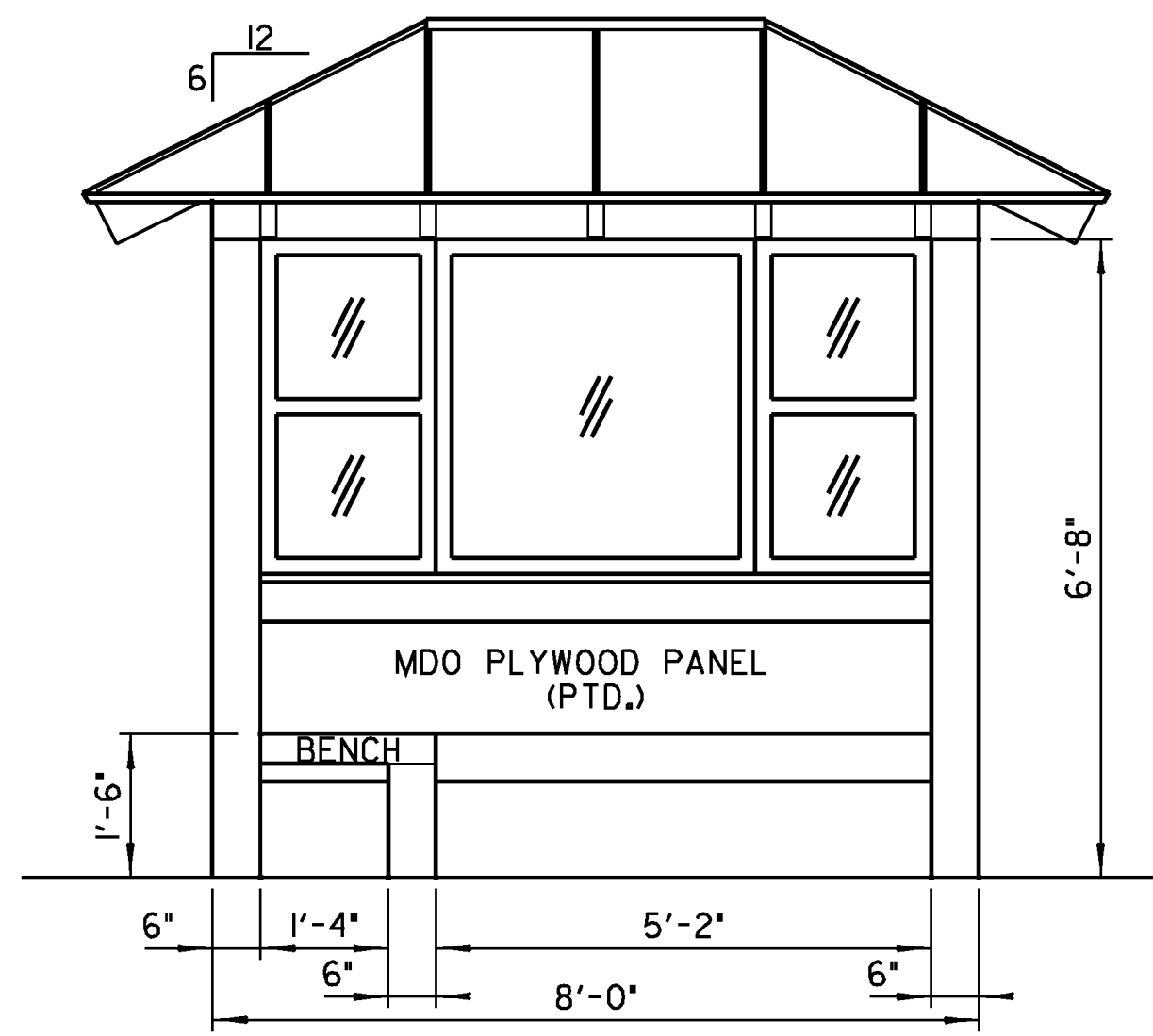
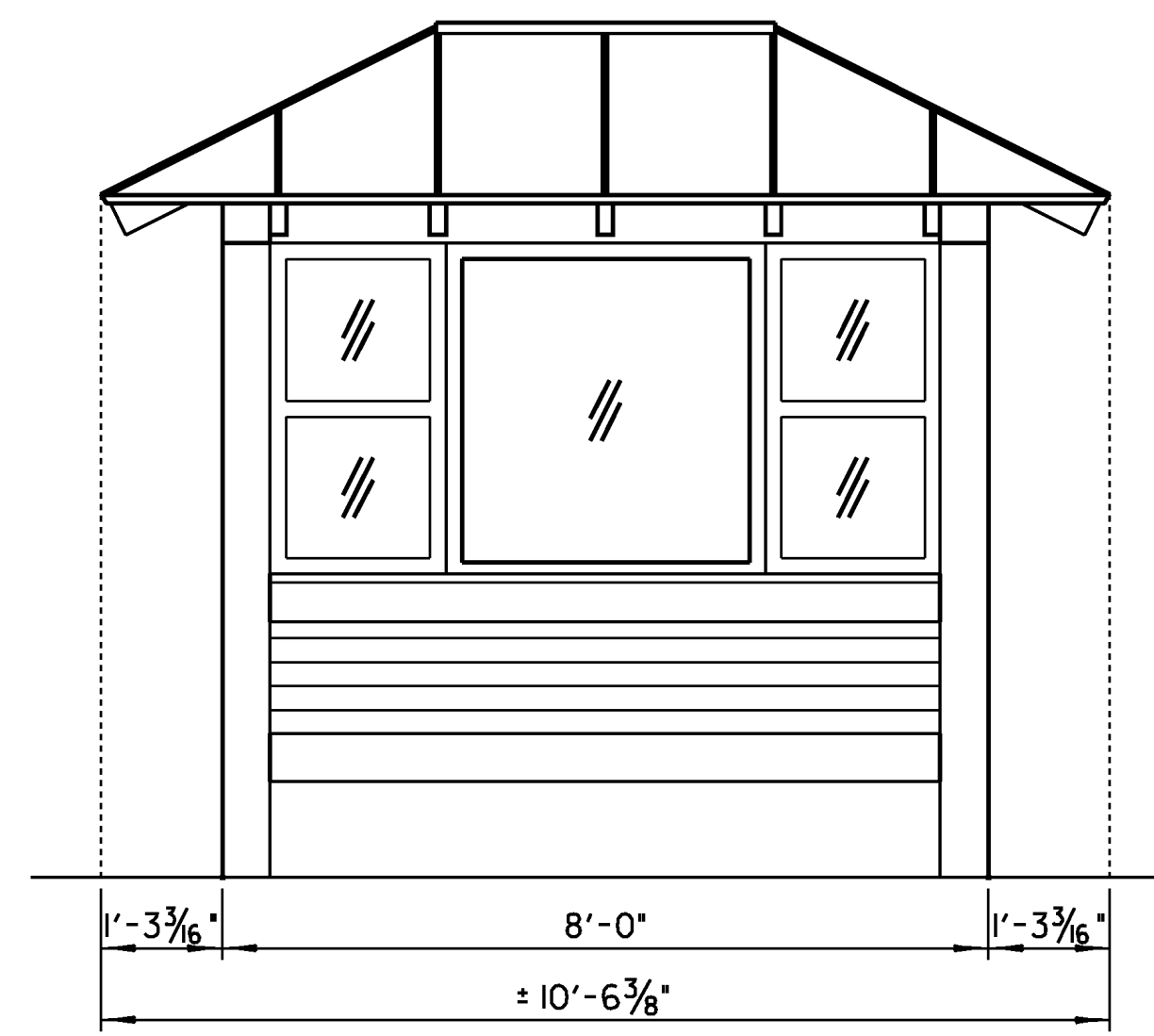


END ELEVATION (TYP.)

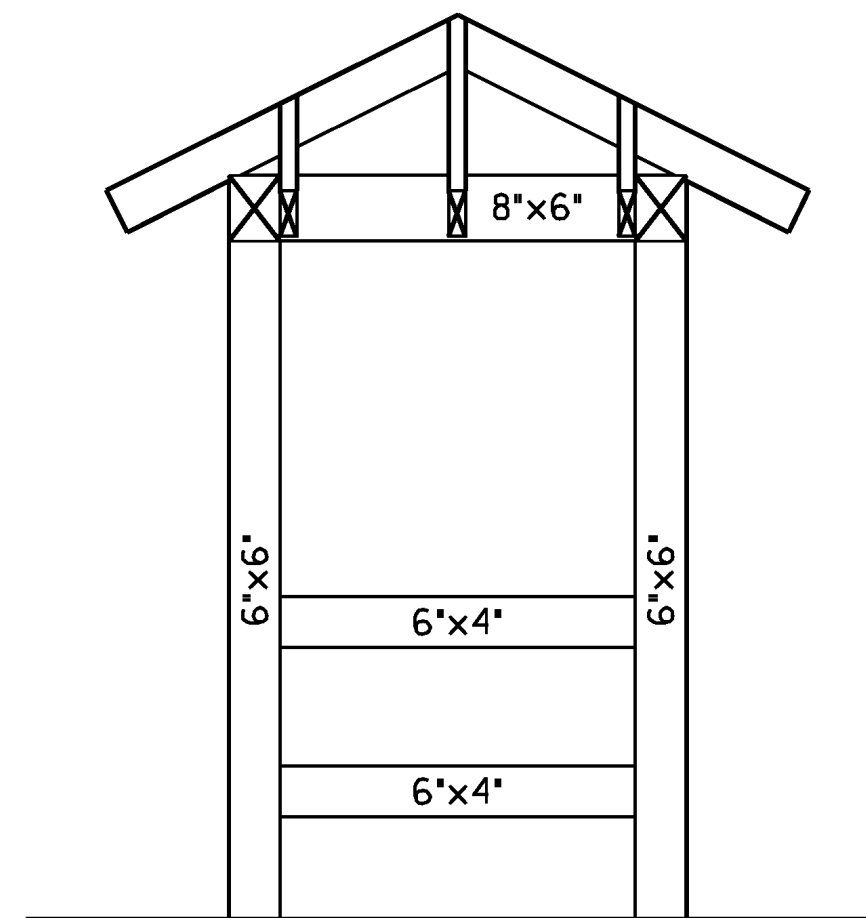
ADD SHIMS OR SPACERS AS NEEDED TO LEVEL STRUCTURE



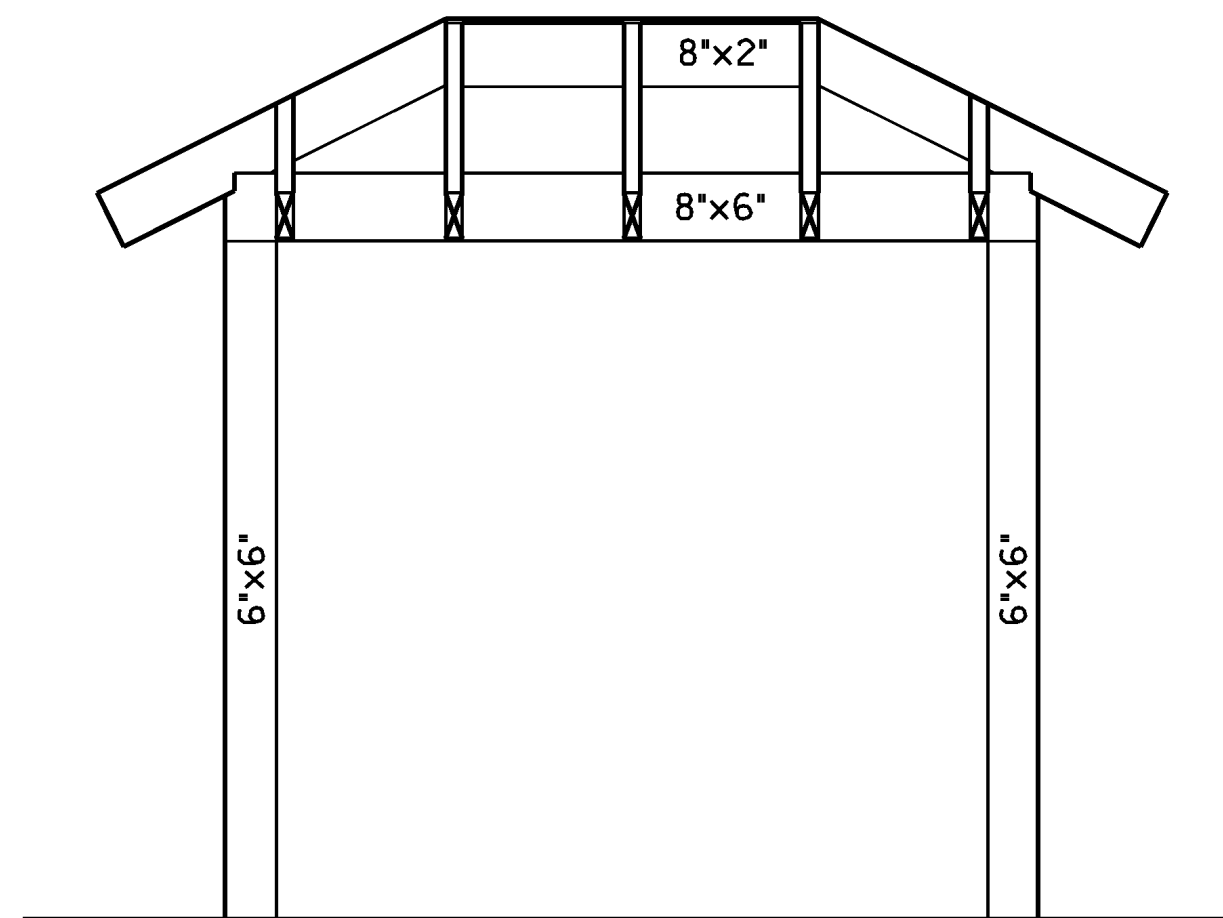
FRONT/INTERIOR ELEVATION



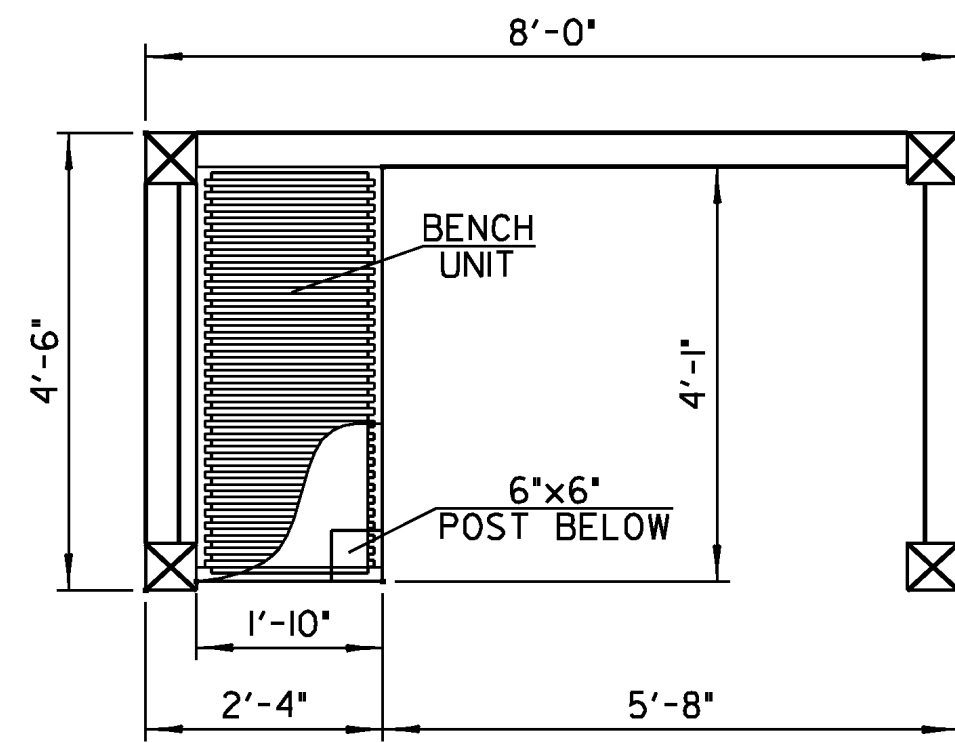
REAR ELEVATION



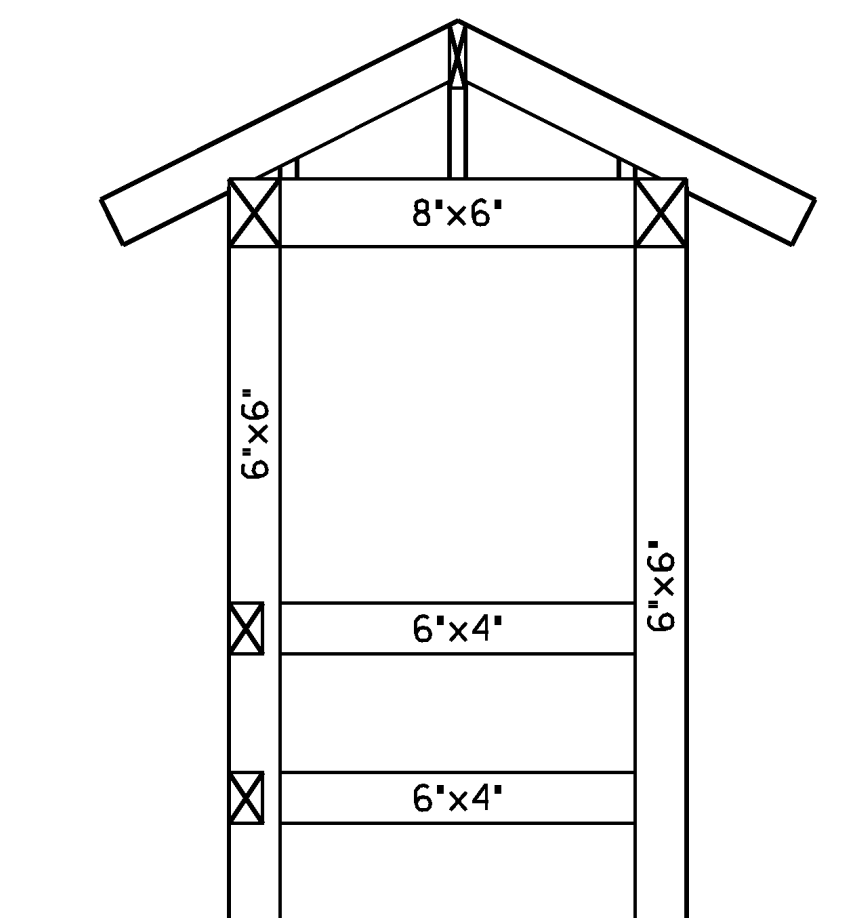
END FRAMING - ELEVATION



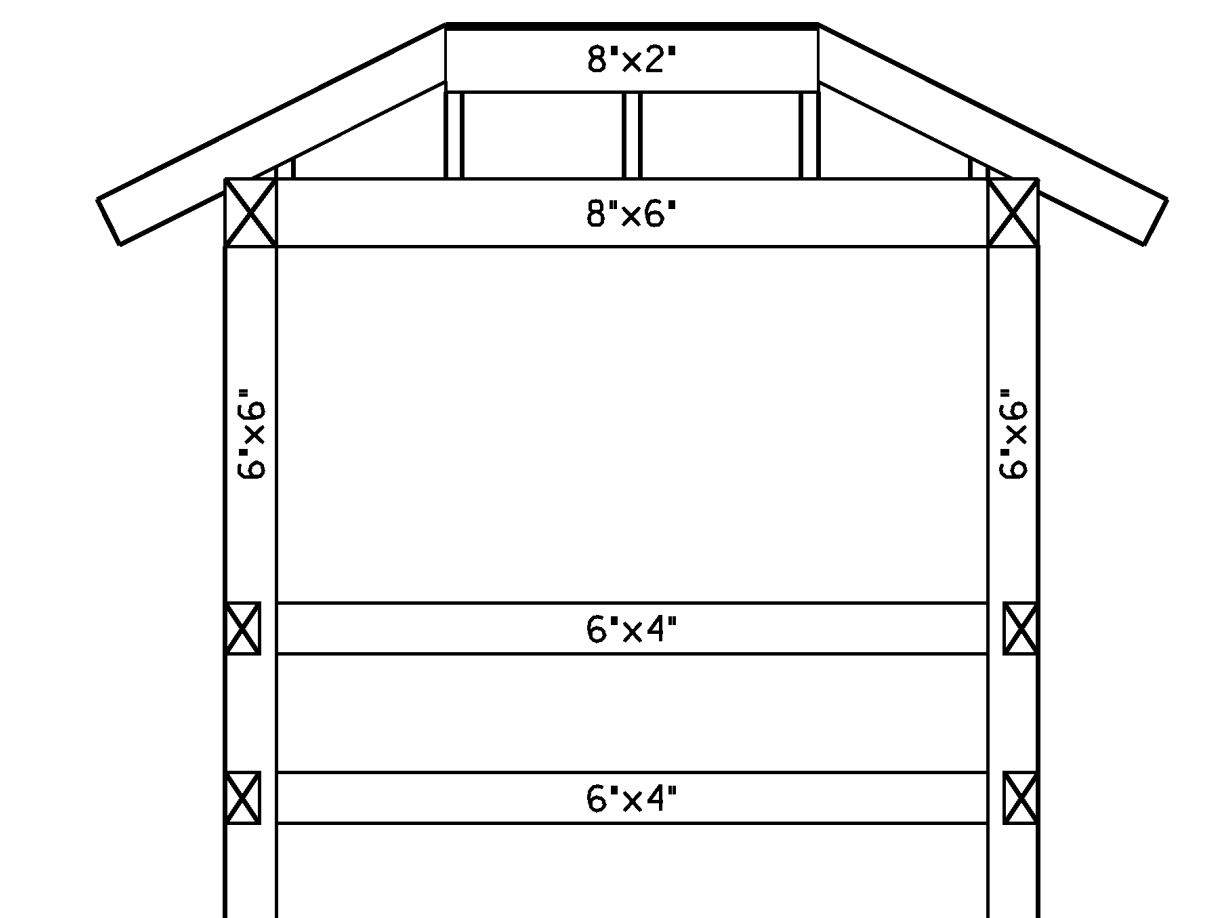
FRONT/REAR FRAMING - ELEVATION



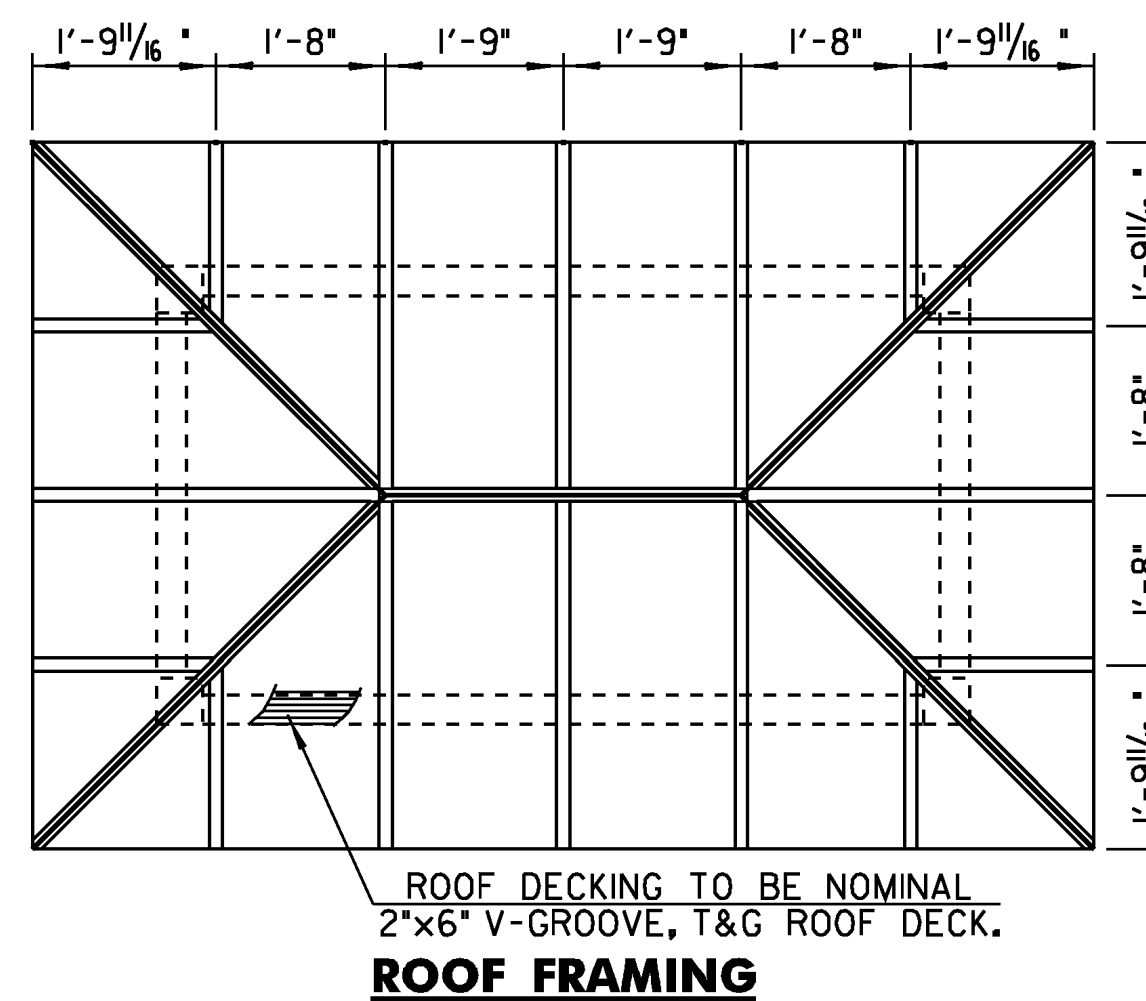
PLAN VIEW



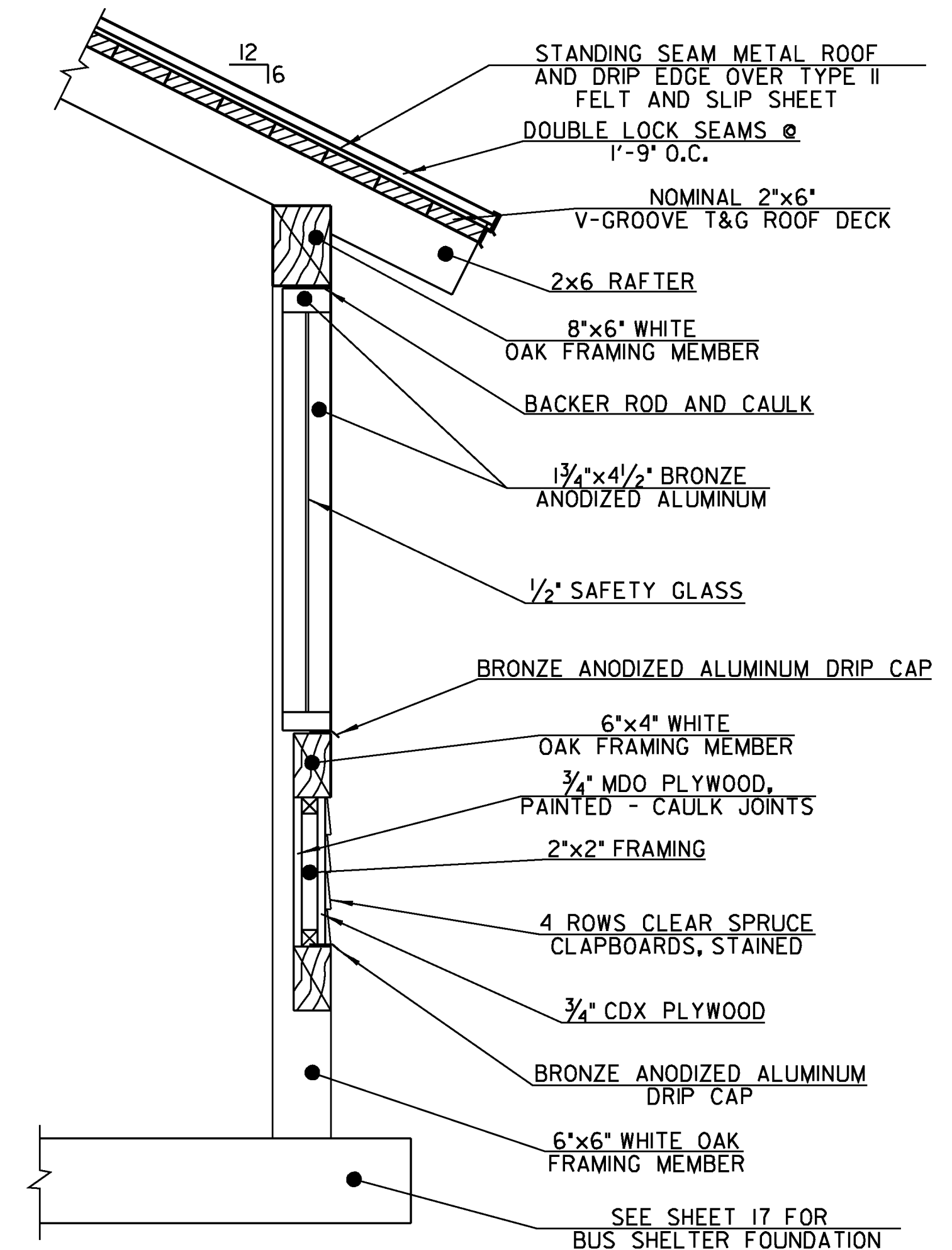
END FRAMING - SECTION



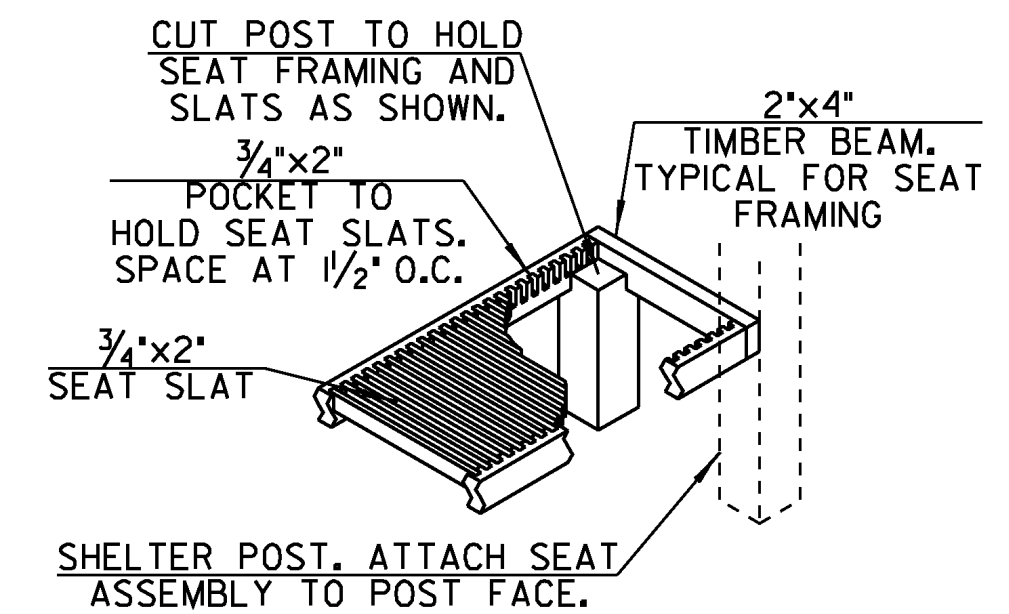
FRONT/REAR FRAMING - SECTION



ROOF FRAMING



TYPICAL WALL SECTION
NOT TO SCALE



DETAIL - BENCH FRAMING
NOT TO SCALE

NOTES

- PAYMENT OF ITEMS AND LABOR SHOWN ON THIS SHEET SHALL BE INCLUDED UNDER ITEM SPECIAL PROVISION (BUS SHELTER).
- JACK AND COMMON RAFTERS ARE 2"x6". HIP RAFTERS ARE 2"x8". RIDGE BEAM IS 2"x8".

ALL DETAILS SCALE: 1/2" = 1'-0"
UNLESS OTHERWISE NOTED

Hoyle, Tanner & Associates, Inc.

HTA PROJECT 904221	MODEL Z20K154BDT01
-----------------------	-----------------------

PROJECT NAME: HARTLAND
PROJECT NUMBER: CMG PARK(25)

FILE NAME: Z20K154bd+.dgn
PROJECT LEADER: WAYNE L. DAVIS
DESIGNED BY: JCC
BUS SHELTER DETAILS 1 OF 2

PLOT DATE: 9/16/2013
DRAWN BY: JCC
CHECKED BY: CRM
SHEET 16 OF 30