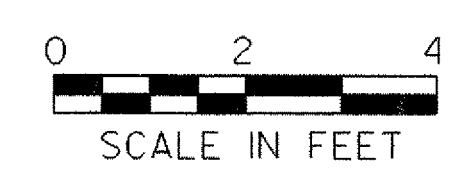
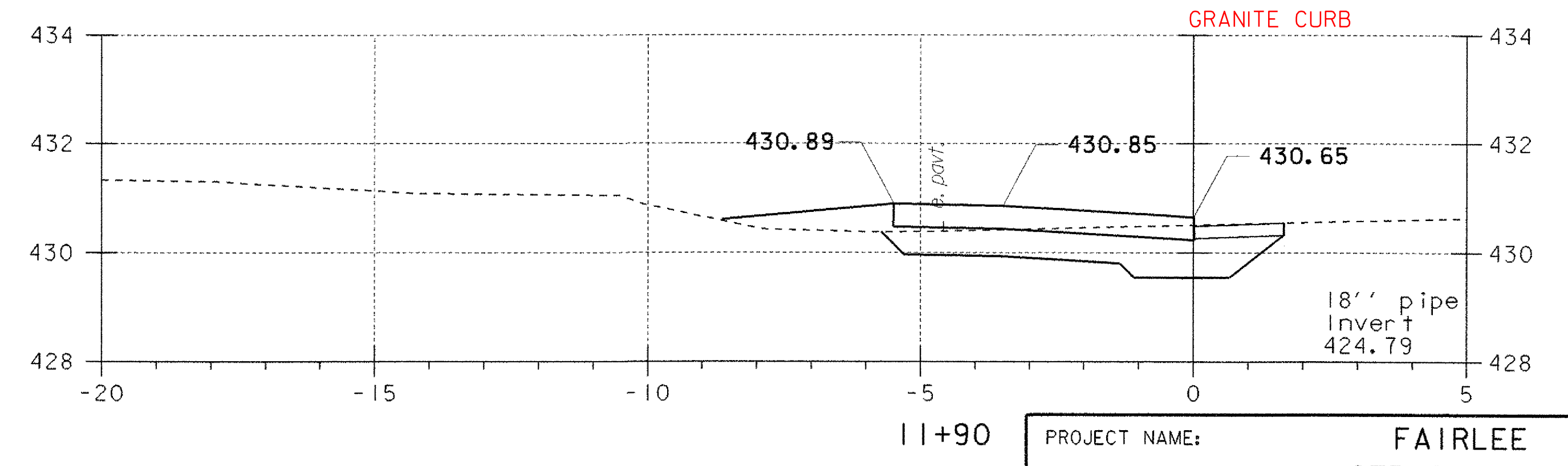
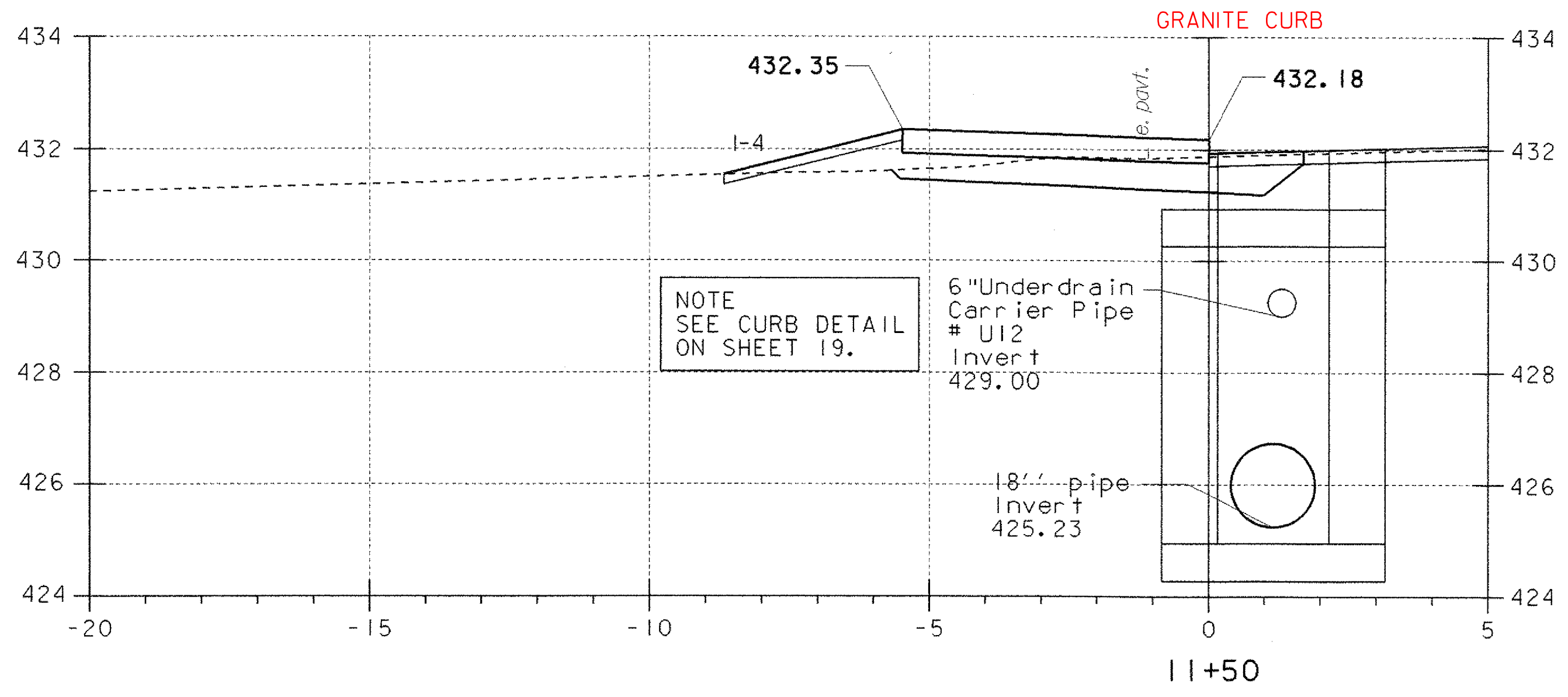
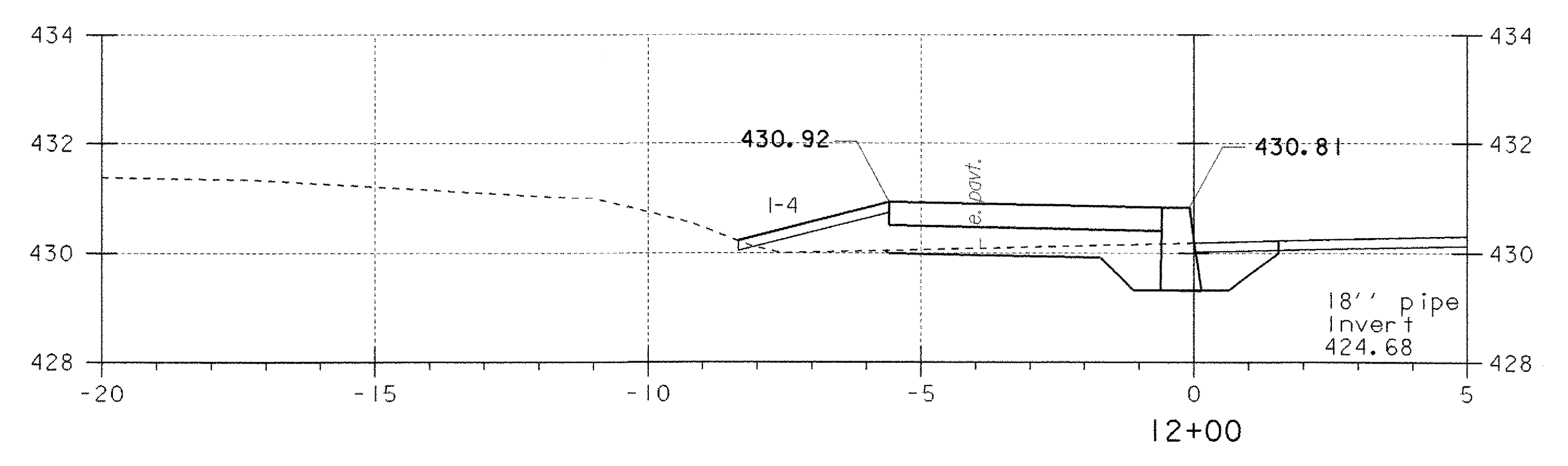
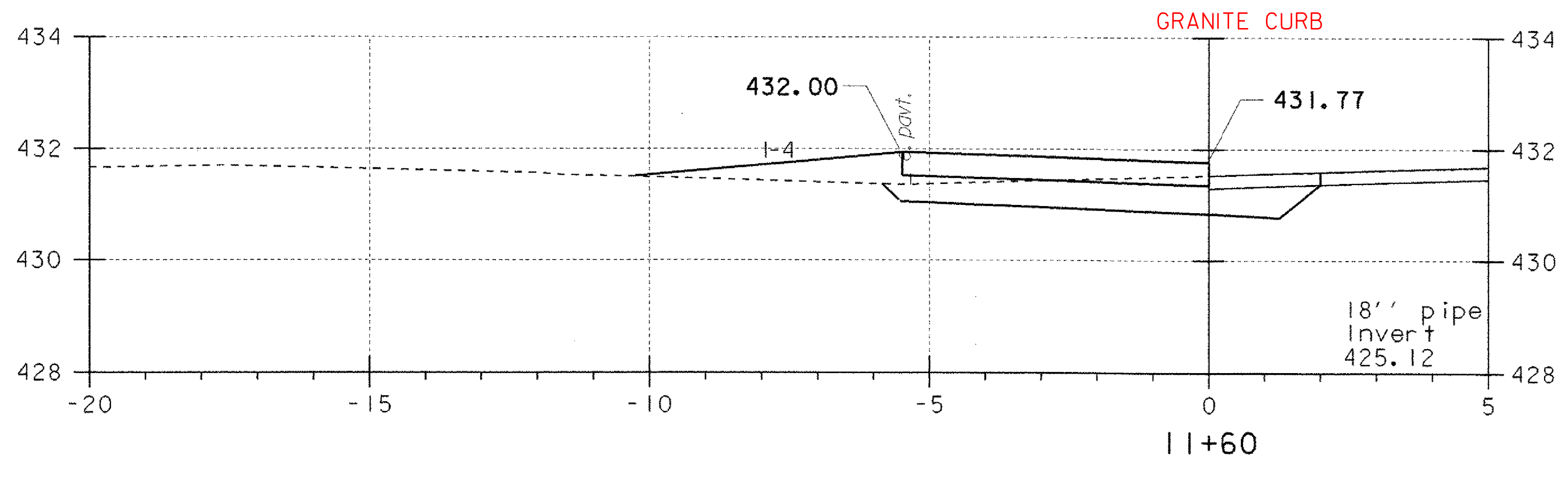
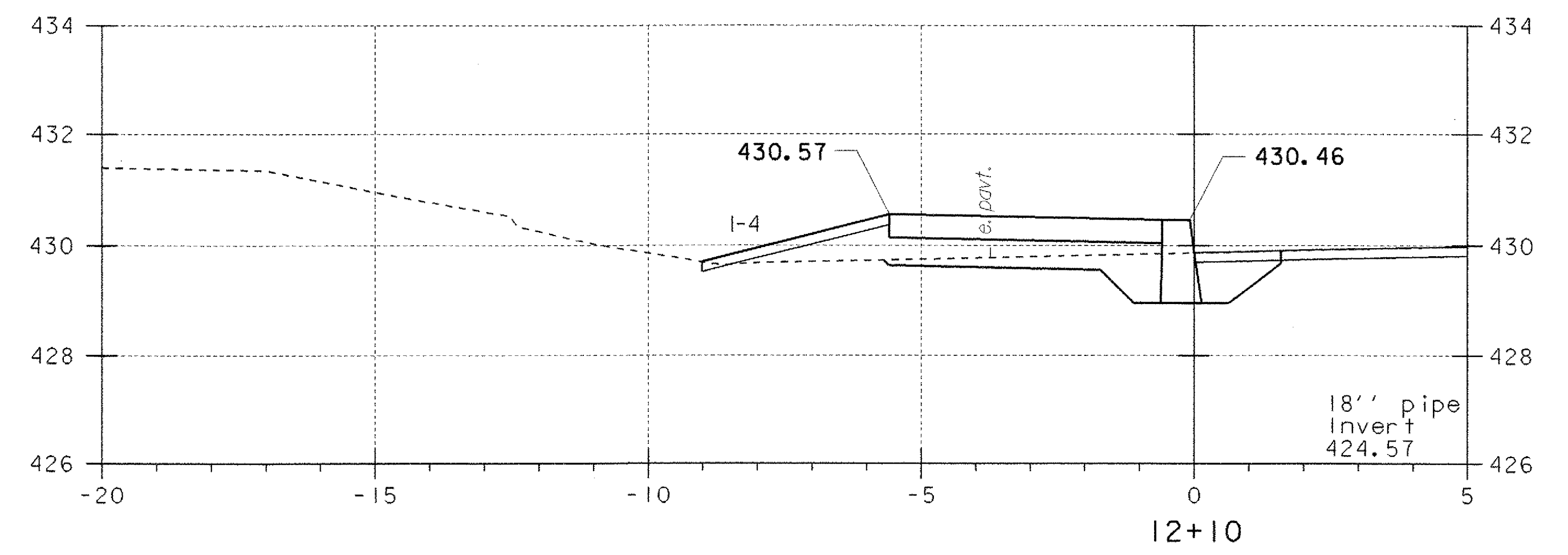
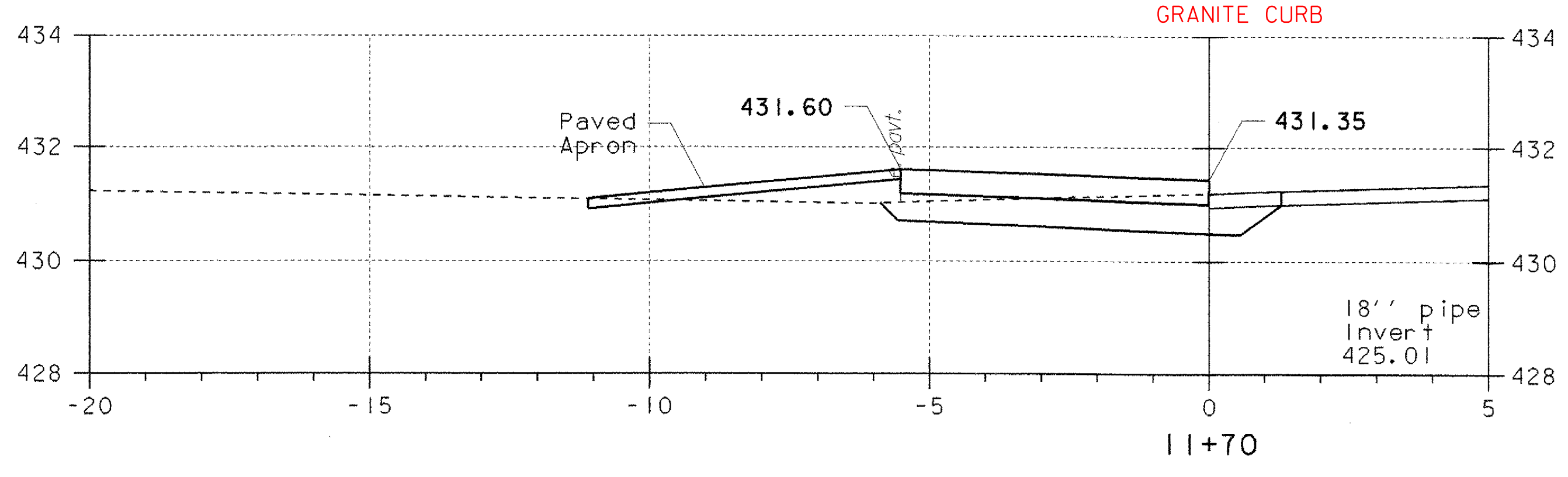
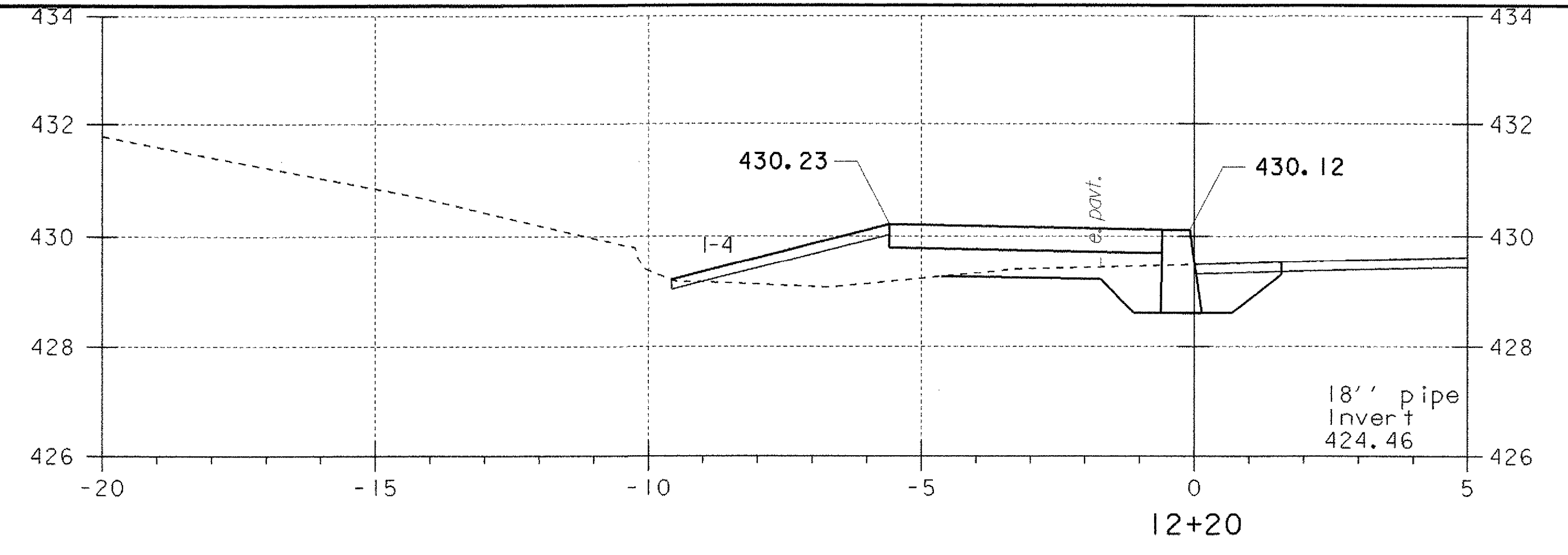
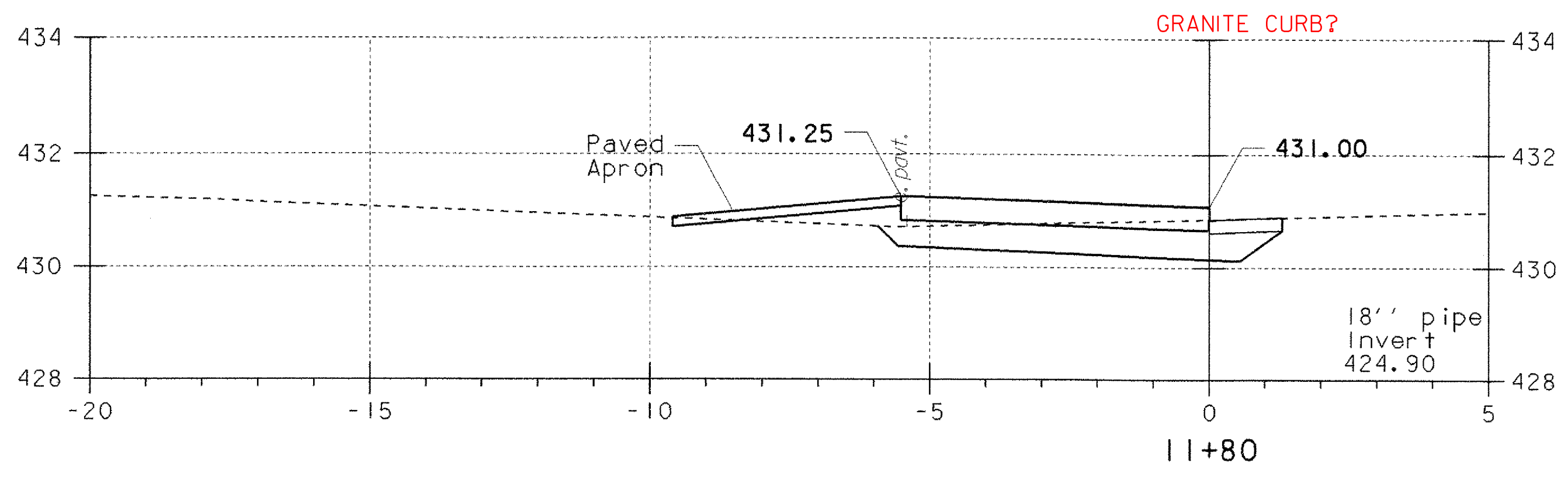


**SIDEWALK CROSS SECTIONS**



PROJECT NAME:	FAIRLEE
PROJECT NUMBER:	STP 040-1 (2)
FILE NAME:	STPr5\98b118\sb118xs.dgn
PROJECT LEADER:	J. Kaplan
DESIGNED BY:	G. Shangraw
PLOT DATE:	07-MAY-2008
DRAWN BY:	G. Shangraw
CHECKED BY:	J. Kaplan
	SHEET 17 OF 28