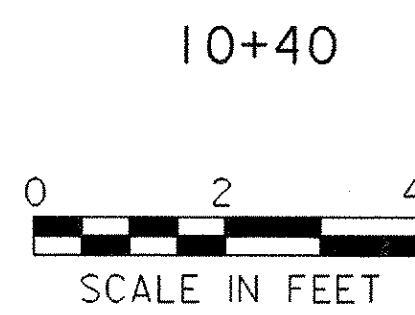
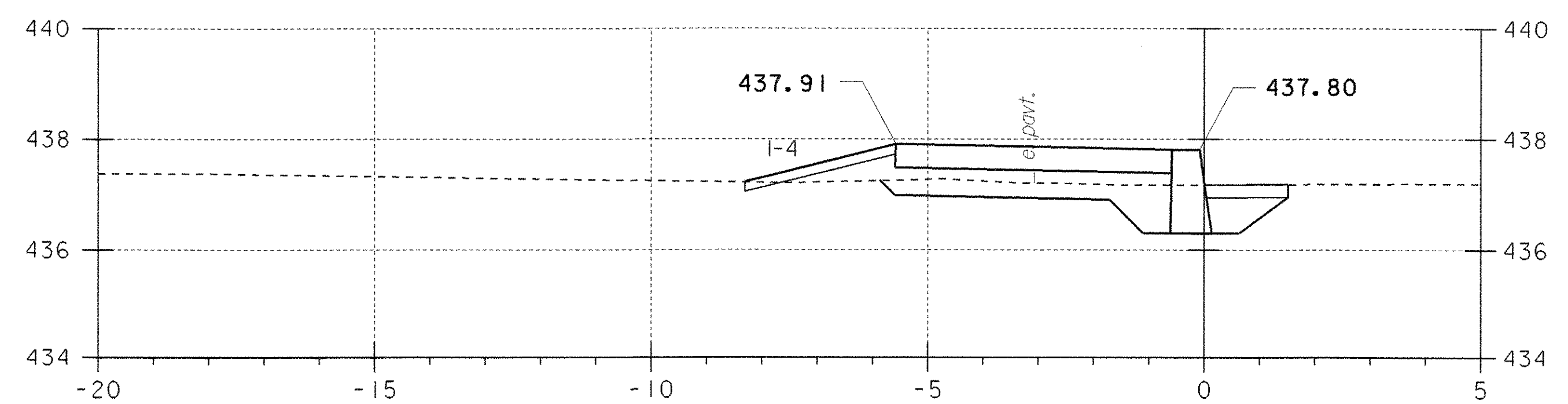
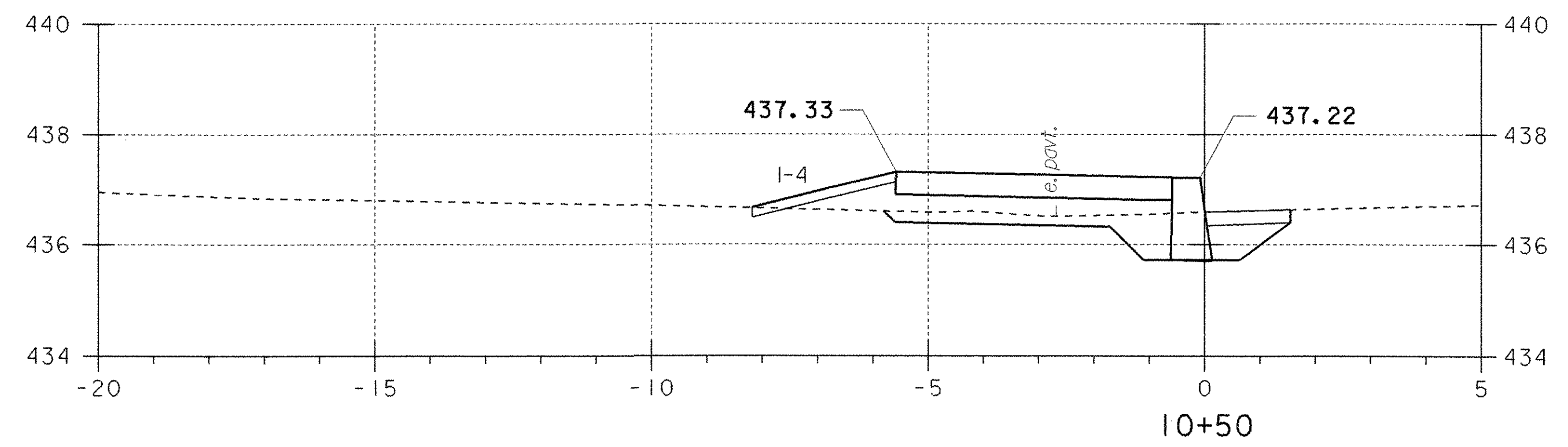
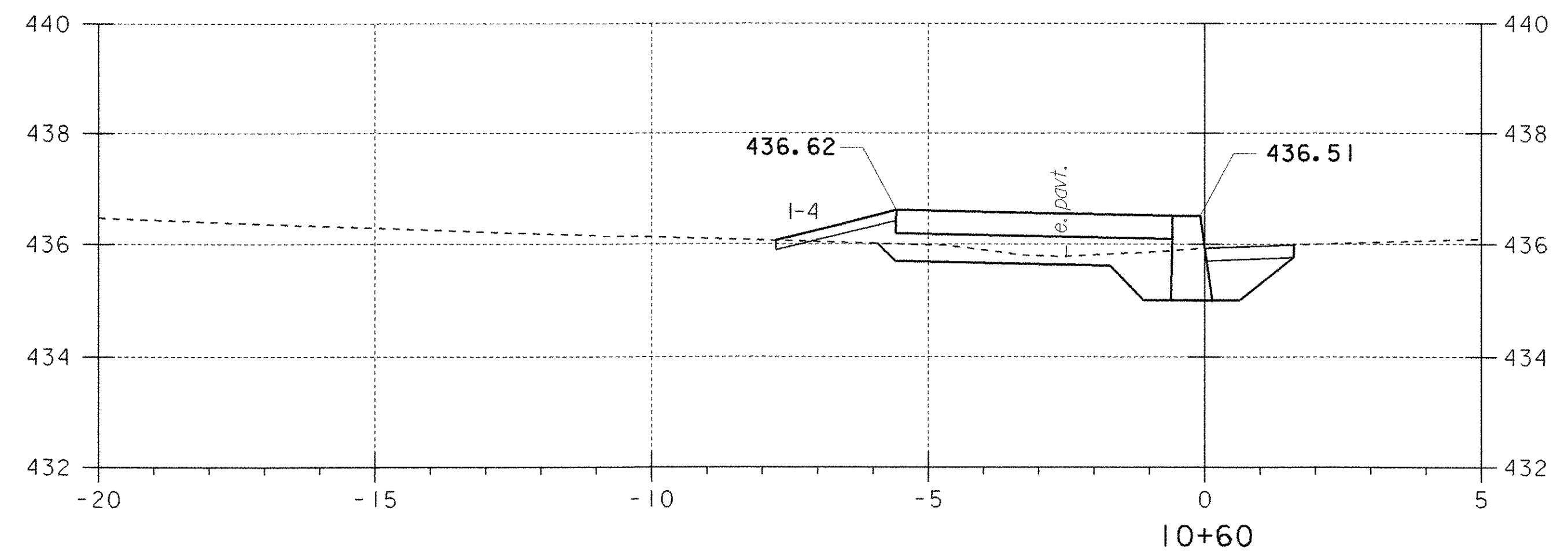
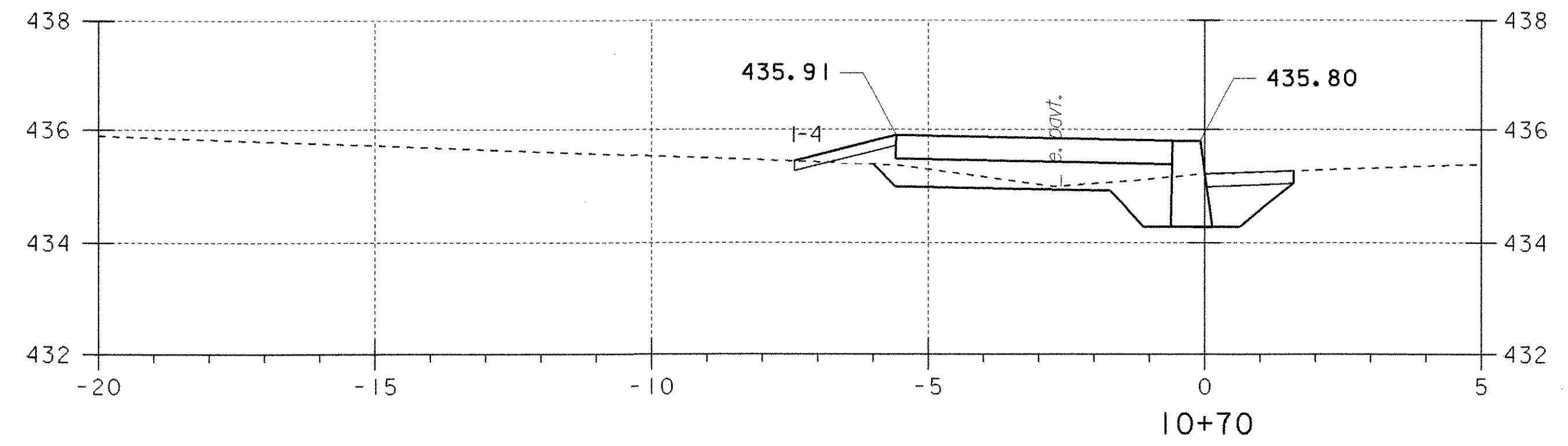


Note:  
 Sidewalk construction begins at station 9+50 LT  
 All cross sections from station 9+50 to 10+06  
 are similar to the section shown above (10+06)



PROJECT NAME:	FAIRLEE
PROJECT NUMBER:	STP 040-1 (2)
FILE NAME: STPr5\98b118\sb118xs.dgn	PLOT DATE: 07-MAY-2008
PROJECT LEADER: J. Kaplan	DRAWN BY: G. Shangraw
DESIGNED BY: G. Shangraw	CHECKED BY: J. Kaplan
Sb118XS1.i	SHEET 15 OF 28

**SIDEWALK CROSS SECTIONS**