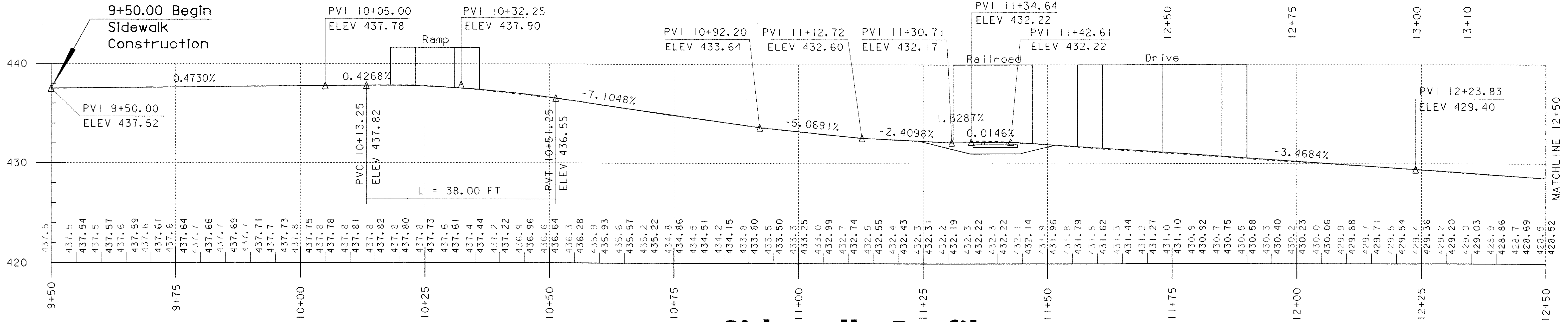
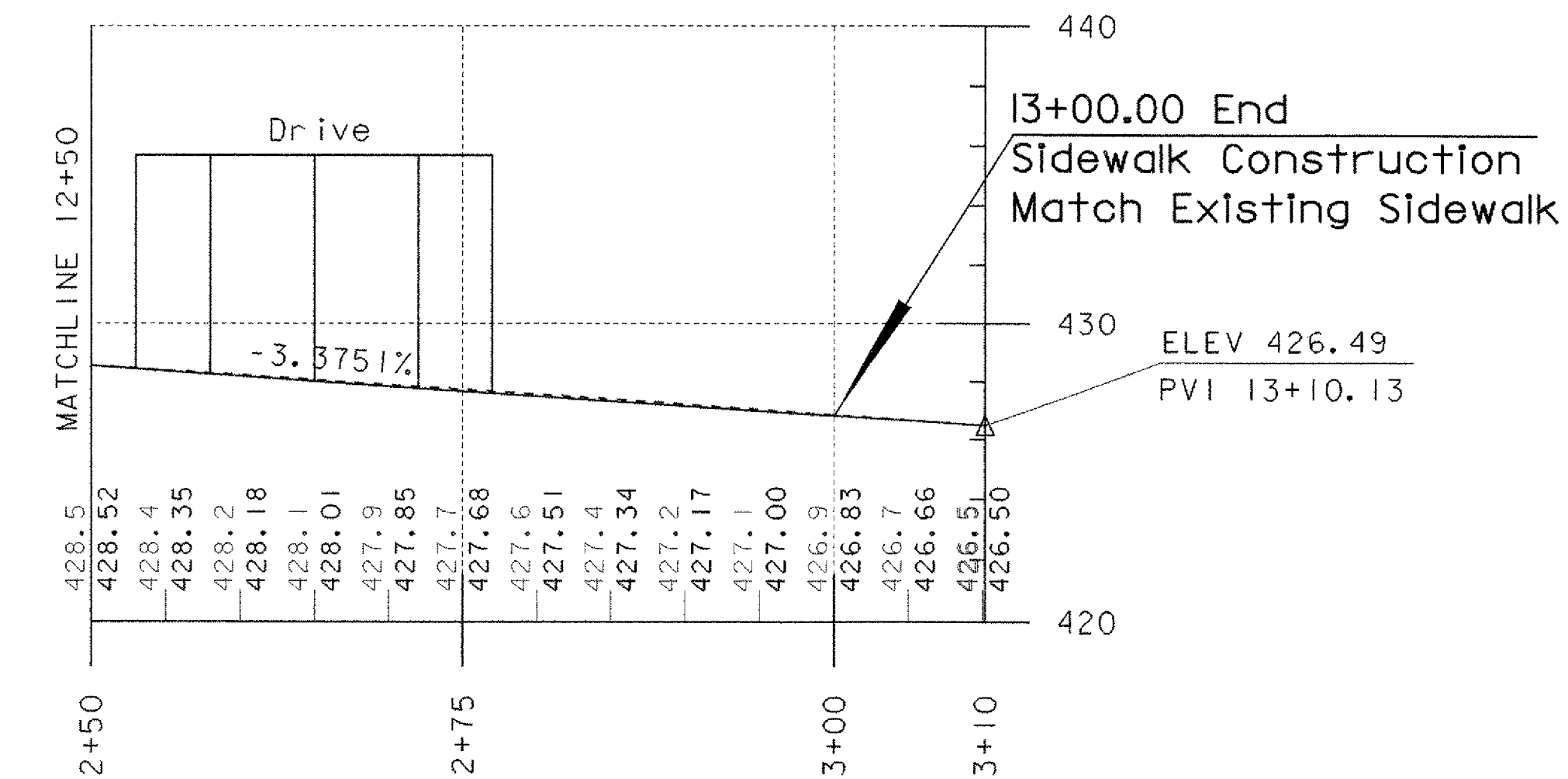
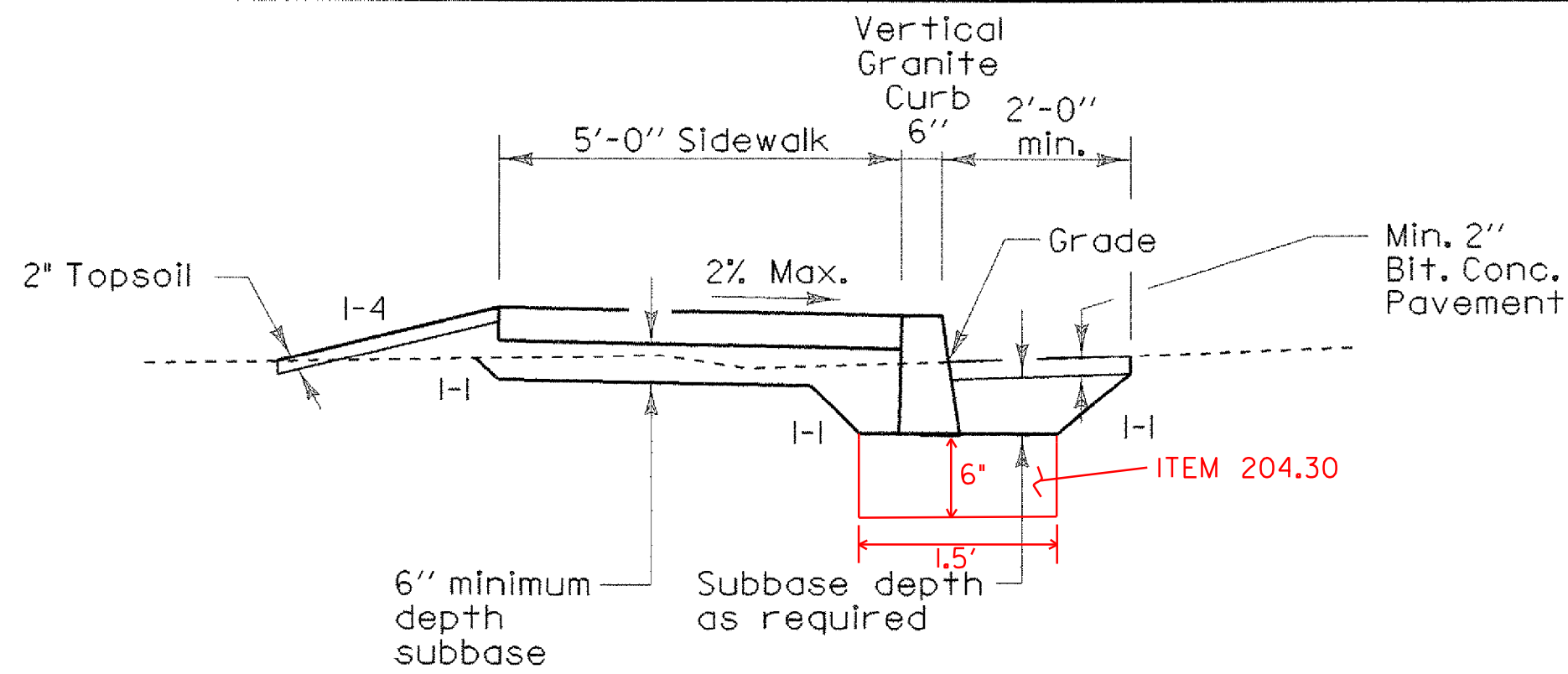


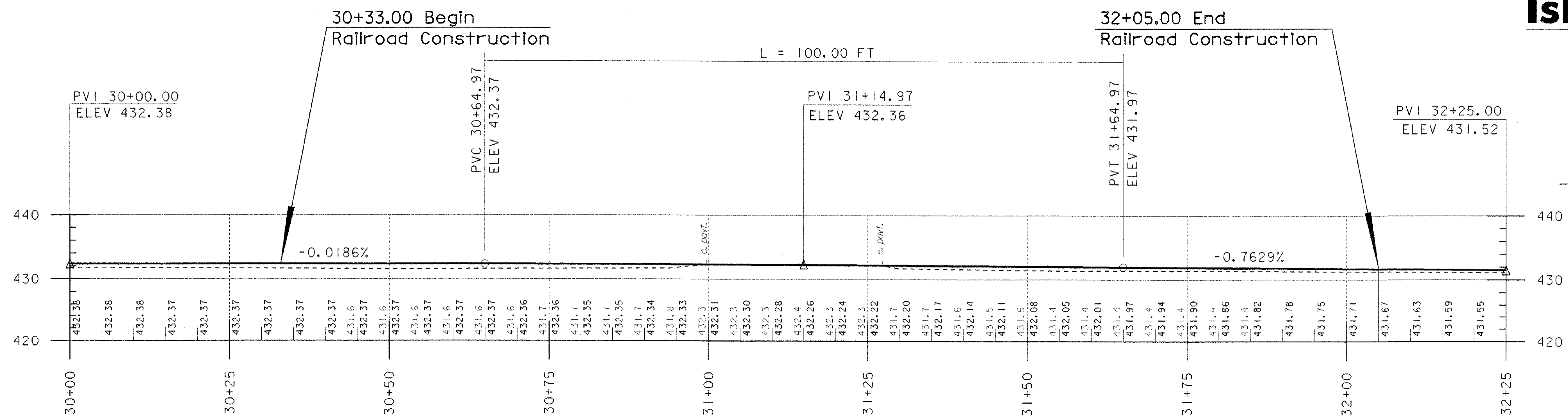
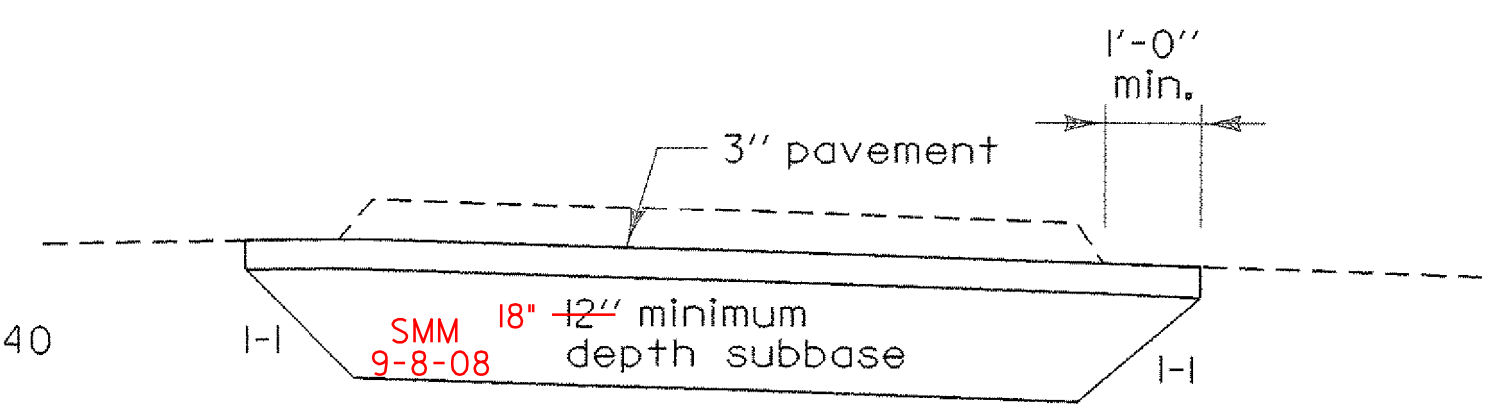
# Sidewalk Typical Section



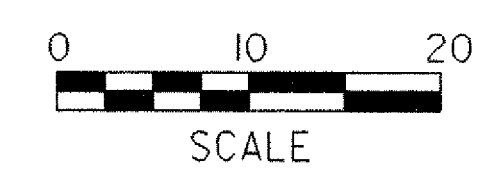
## Sidewalk Profile

# Island Removal Detail

NOT TO SCALE  
Existing pavement to be sawcut prior to Removal of existing Island. Payment for saw cut will be incidental to pay item 203.28.



## Railroad Profile



## PROFILE SHEET

PROJECT NAME:	Fairlee
PROJECT NUMBER:	STP 040-(K2)
FILE NAME:	/str5/98b118/sb118bdr.dgn
PROJECT LEADER:	J. Kaplan
DESIGNED BY:	G. Shangraw
sb118pro.dgn	
PLOT DATE:	07-MAY-2008
DRAWN BY:	G. Shangraw
CHECKED BY:	J. Kaplan
SHEET	6 OF 28