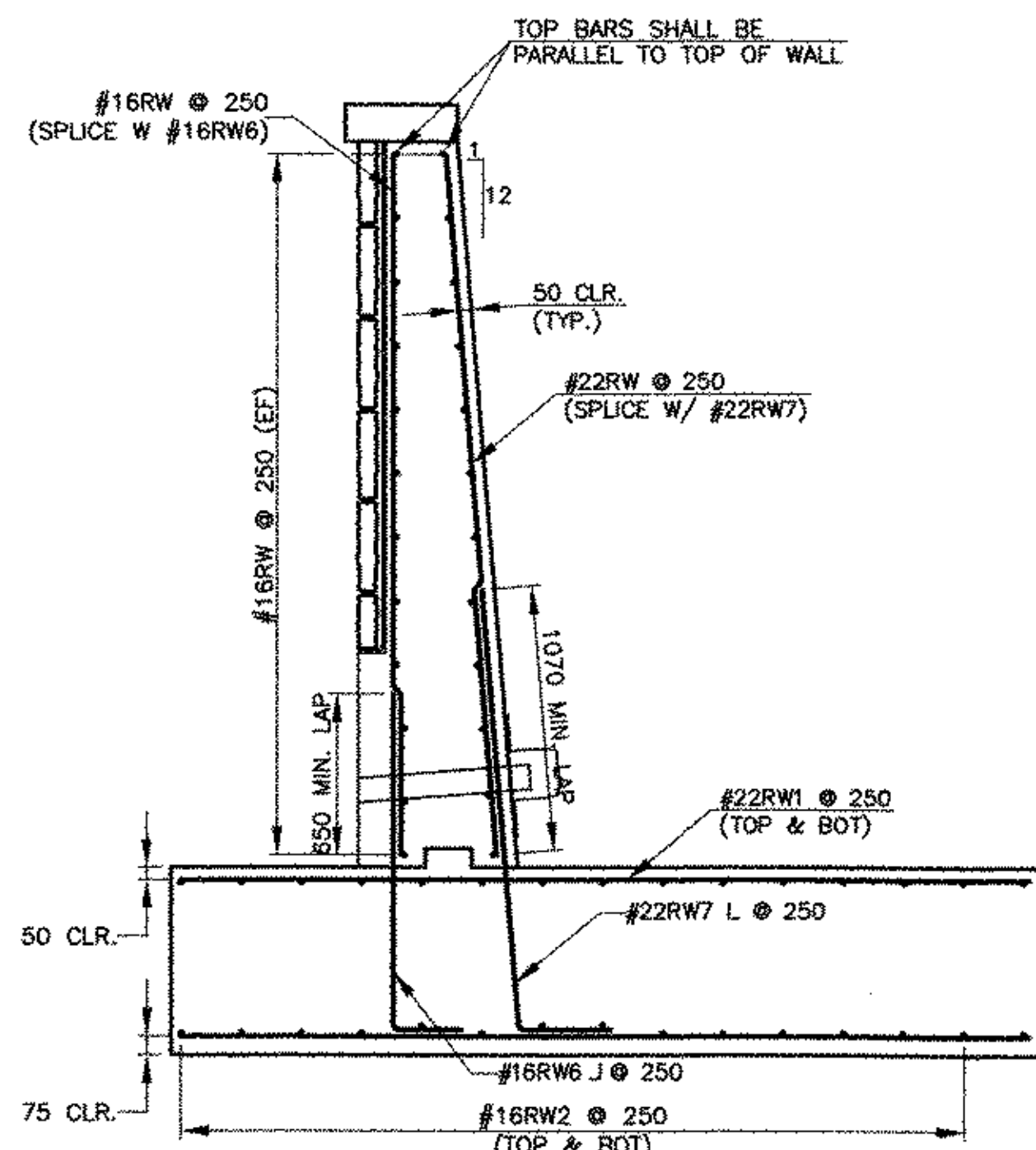
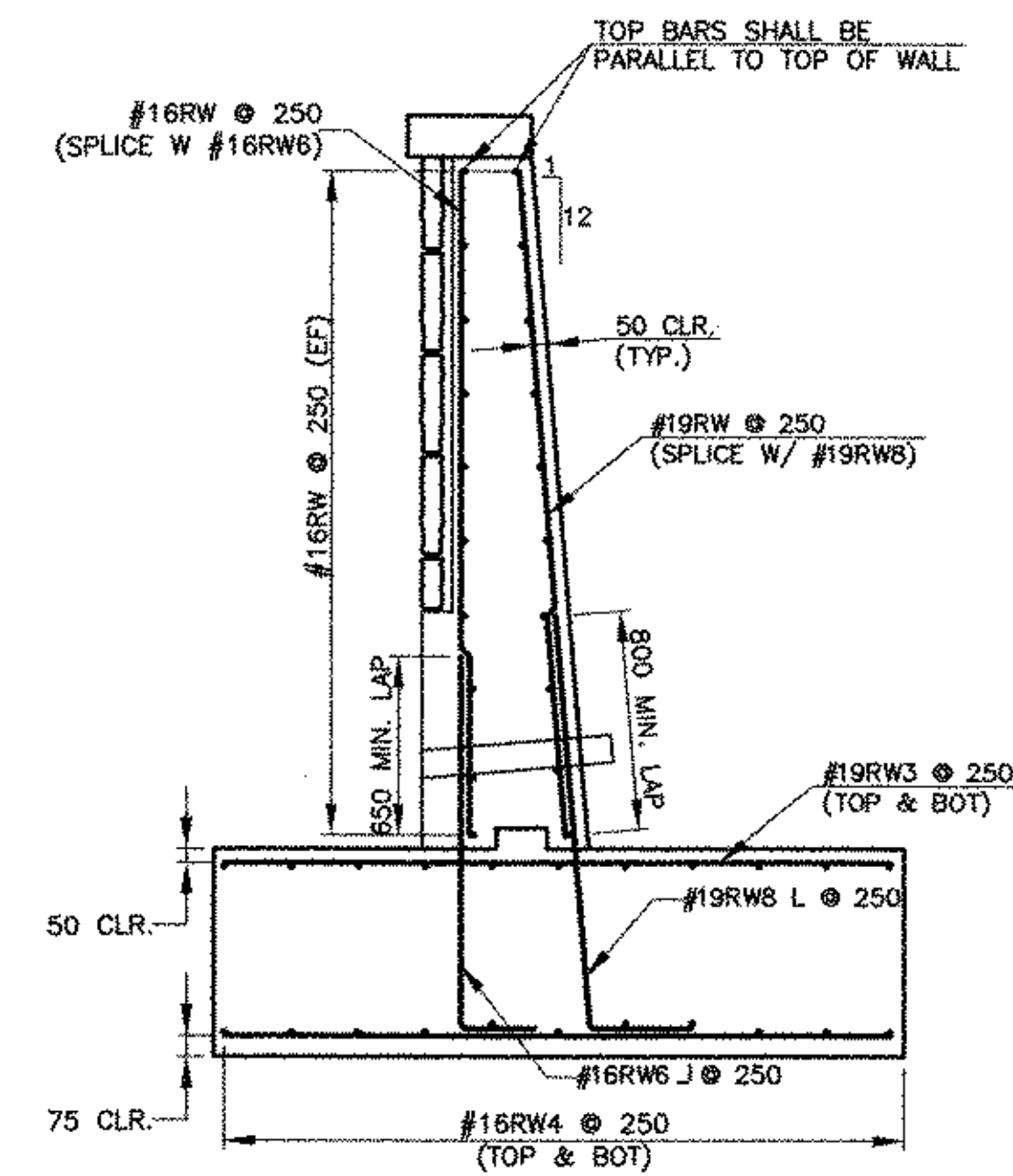


WALL 3 ELEVATION
SCALE 1:50

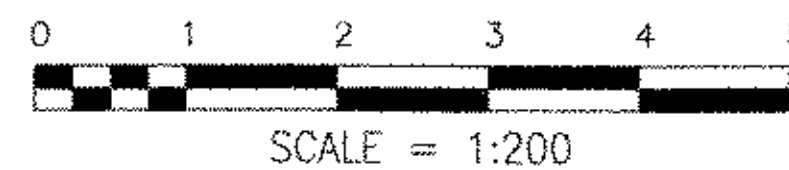


SECTION A-A
SCALE 1:25



SECTION B-B
SCALE 1:25

| | |
|------------|-----------|
| DATUM | |
| VERTICAL | NGVD 1929 |
| HORIZONTAL | NAD 1927 |



THE LOUIS BERGER GROUP, INC.

| | |
|--|-------------------------------------|
| Town Of GRAFTON - ROCKINGHAM | Bridge No. |
| Highway No. ROUTE 121 | Log Sta. |
| ROUTE 121 | |
| WALL 3 REINFORCING | |
| Designed By JPB | Drawn By JBB |
| Checked By JPC | Date 12/03 |
| Bridge Design Supervisor | |
| Date | |
| PROJECT GRAFTON - ROCKINGHAM | PROJECT NO. STP 0126(4)-S |
| I.G.C. Info. F:\1261\Cadd\STRUCTURAL\PLANS\WallPlanC2.dwg | |
| Wall Sheet No. 3 | Sheet 114 of 116 |