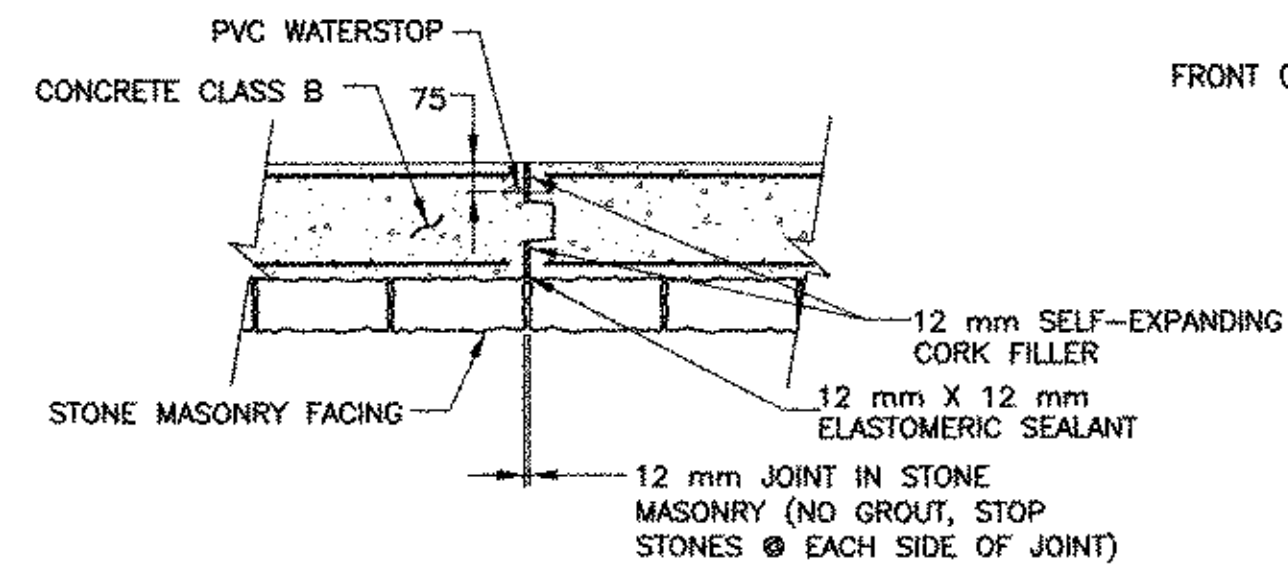
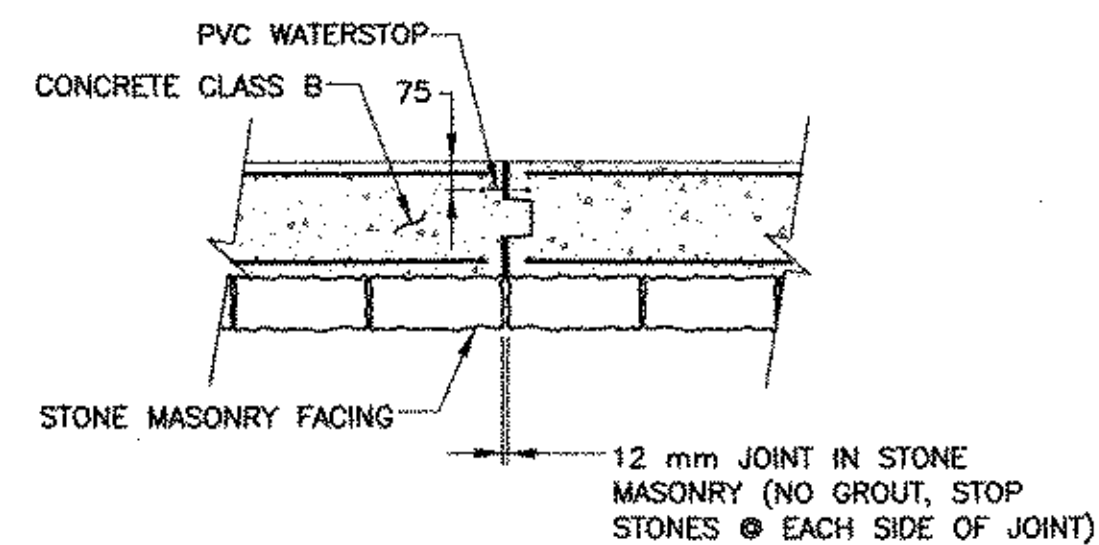


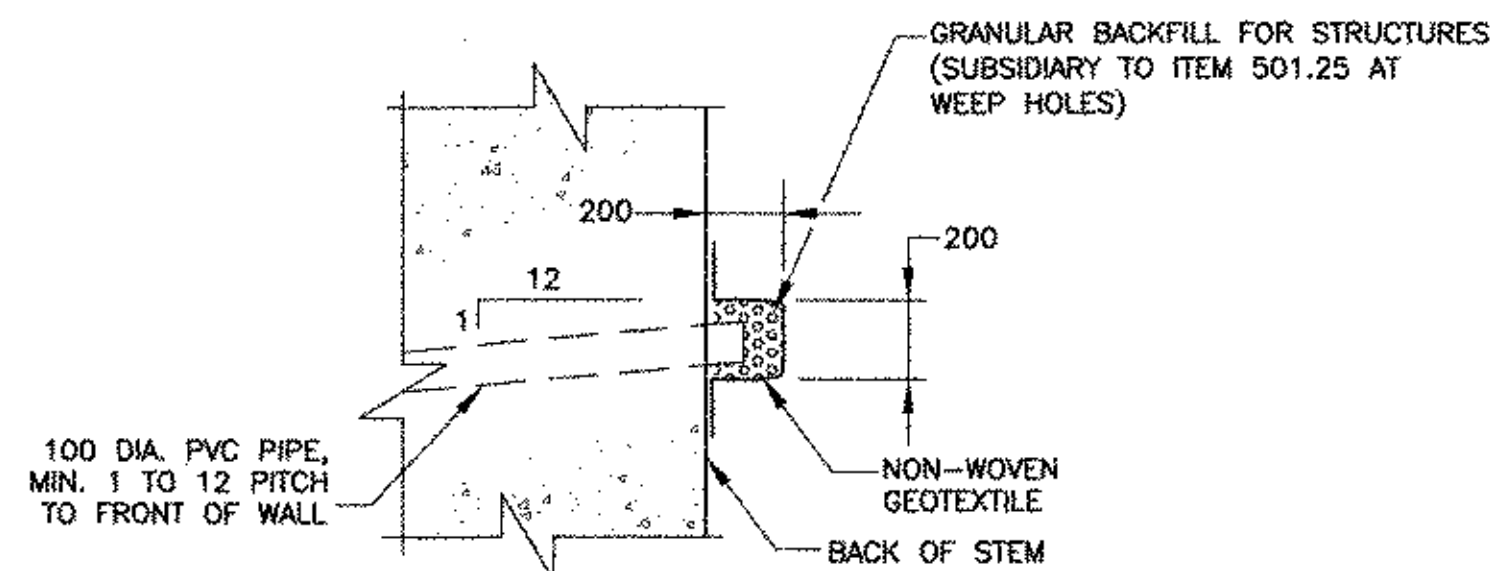
WALL 3 MASONRY PLAN
SCALE 1:10



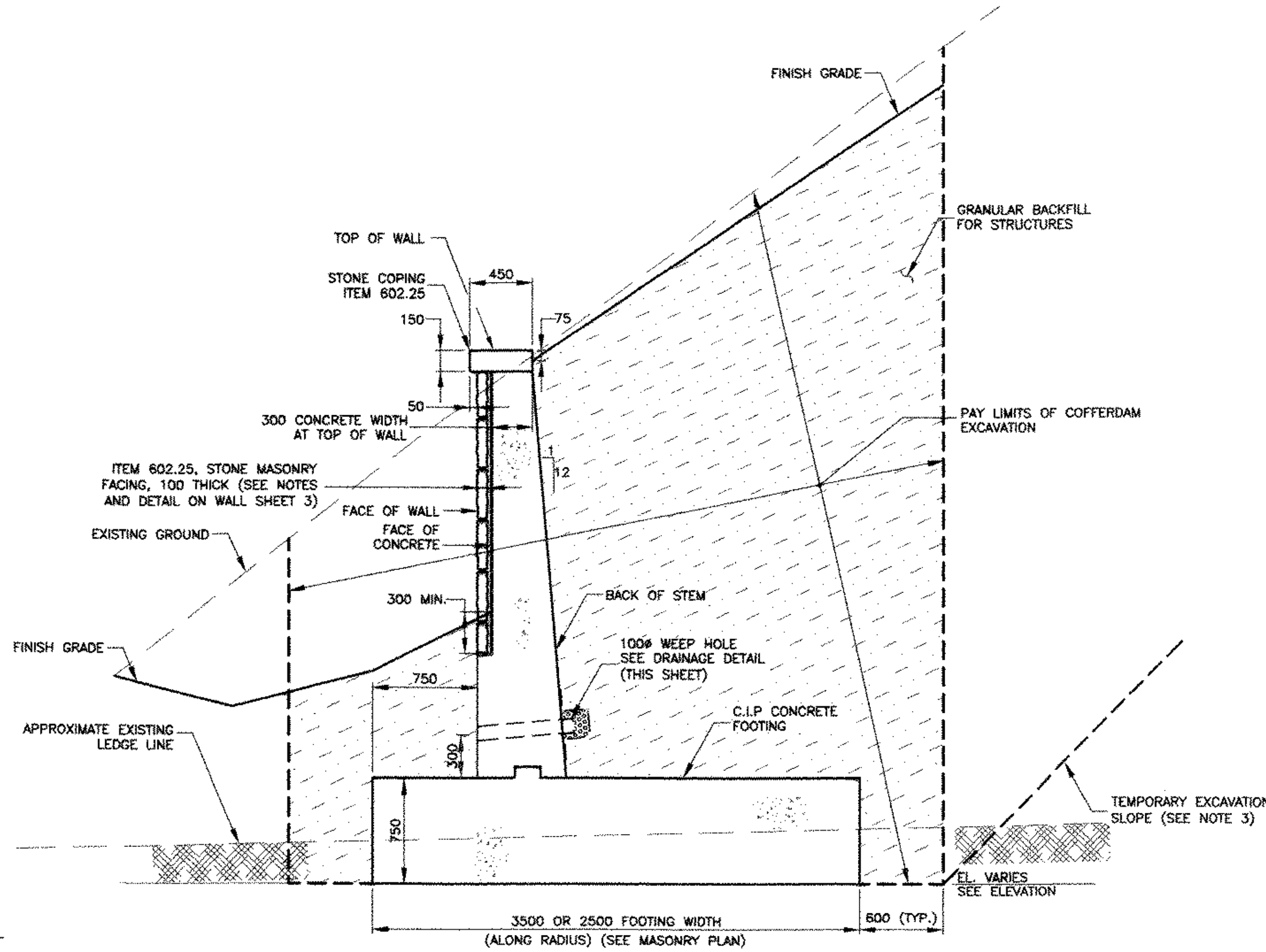
TYPICAL EXPANSION JOINT
SCALE 1:20



TYPICAL CONTRACTION JOINT
SCALE 1:20



DRAINAGE DETAIL
SCALE 1:20



TYPICAL EARTHWORK SECTION
SCALE 1:25

- NOTES:**
1. PLACE CONTRACTION AND EXPANSION JOINTS THROUGH WALL STEM ONLY.
 2. DUE TO PROXIMITY OF ACTIVE DRIVEWAY, A TEMPORARY COFFERDAM SHALL BE ALLOWED. IF USED, THE COFFERDAM WILL BE PAID FOR UNDER 208.40 - COFFERDAM.
 3. ANY TEMPORARY EXCAVATION SHALL NOT EXTEND PAST THE PROPOSED RIGHT-OF-WAY OR AFFECT ACTIVE DRIVEWAY.

DATUM	
VERTICAL	NGVD 1929
HORIZONTAL	NAD 1927



THE LOUIS BERGER GROUP, INC.

Town Of GRAFTON - ROCKINGHAM	Bridge No.
Highway No. ROUTE 121	Log Sta.
	Surv. Sta.
ROUTE 121	
MASONRY PLAN AND DETAILS - WALL 3	
Designed By JPB	Drawn By JBB
Checked By JPC	Date 12/03 Bridge Design Supervisor
	Date
PROJECT GRAFTON - ROCKINGHAM	PROJECT NO. STP 0126(4)-S
I.G.C. Info. V:\1261\Cadd\STRUCTURAL\PLANS\WallPlanC2.dwg	
Wall Sheet No. 2	Sheet 113 of 116