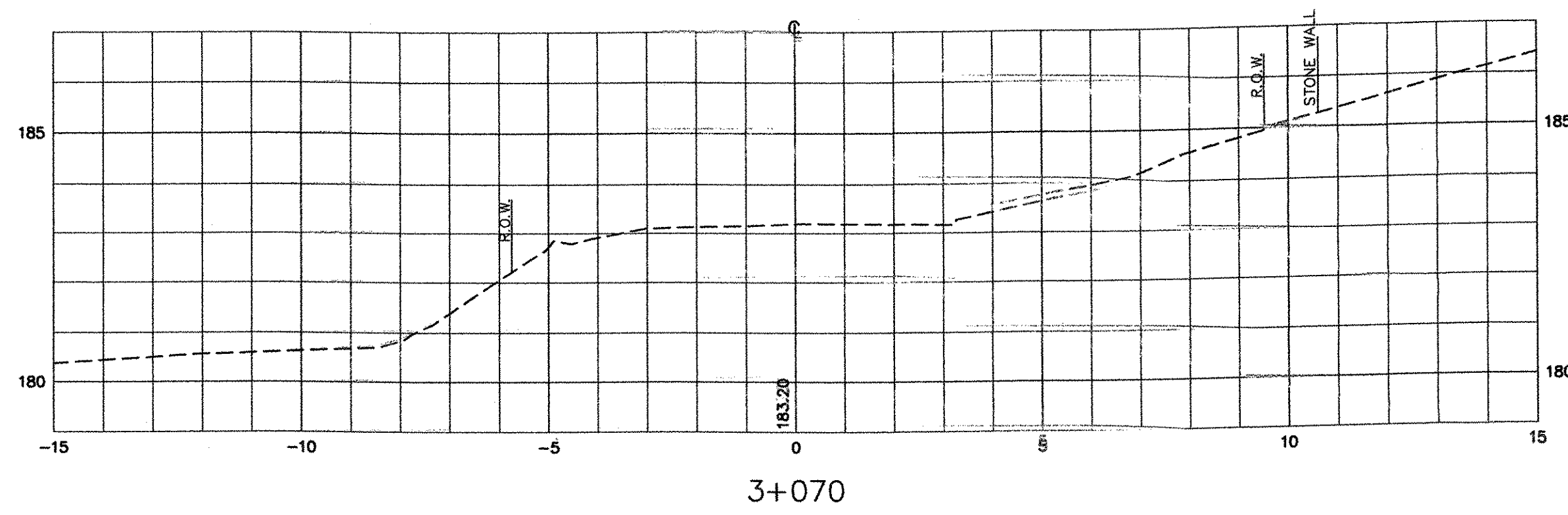
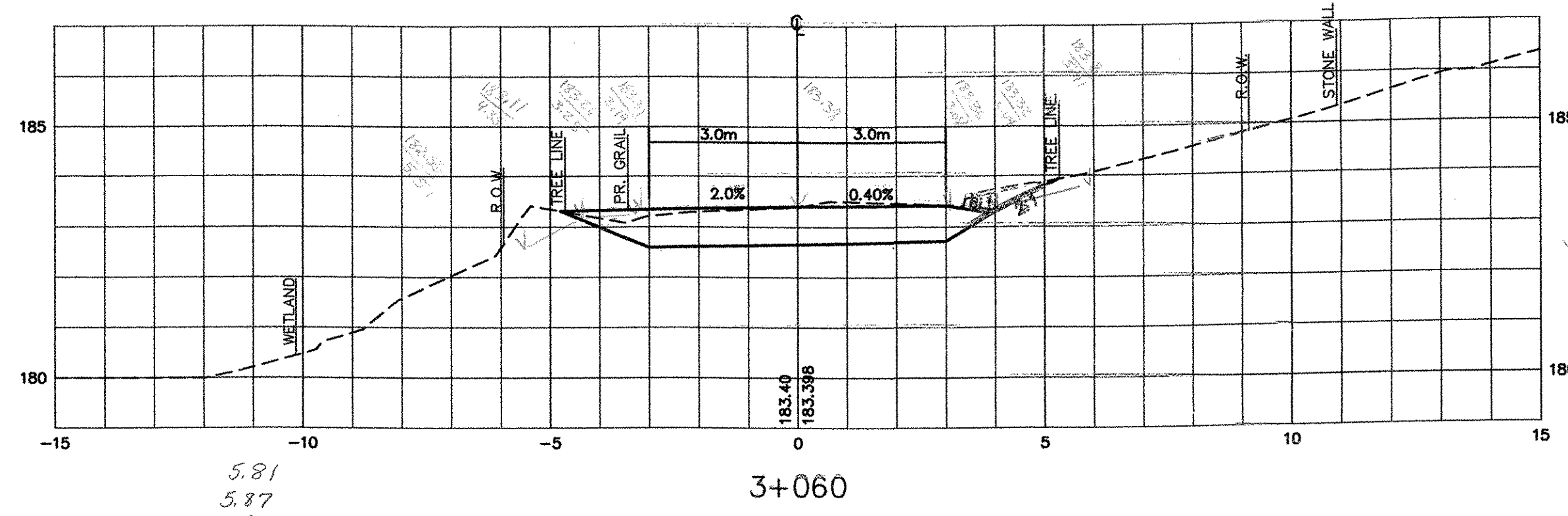


* No Common Exc.

3+030

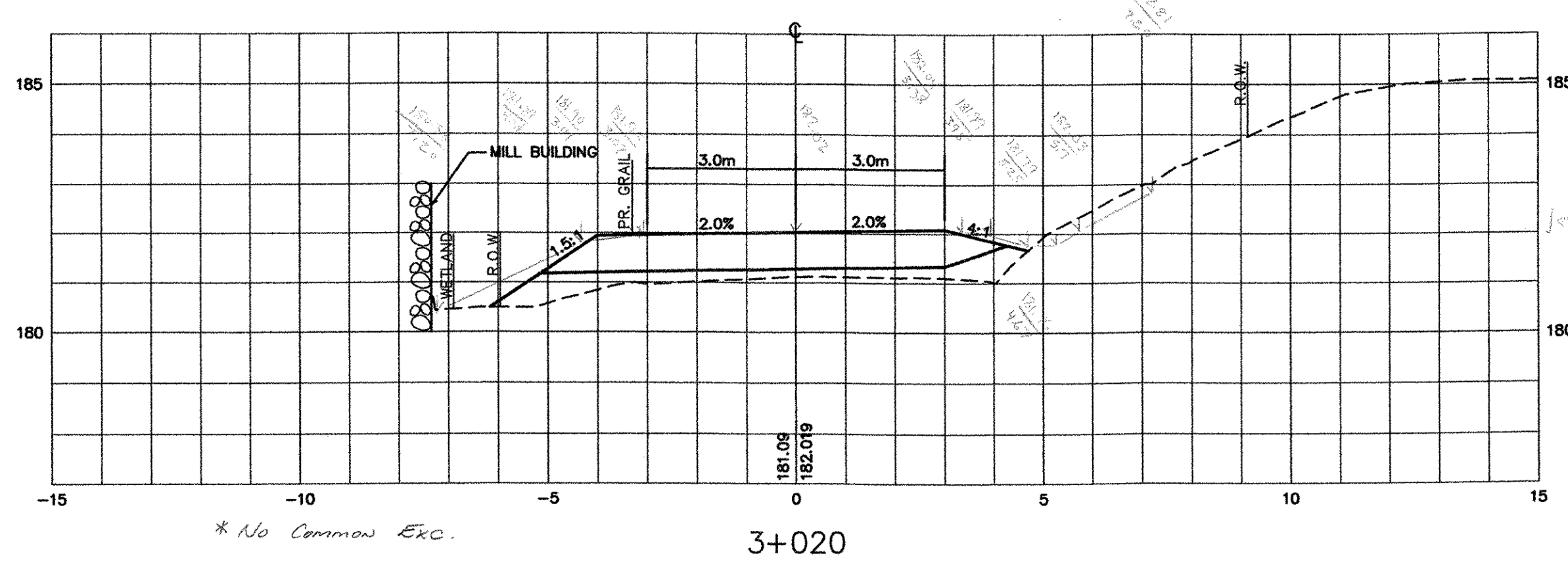


3+070



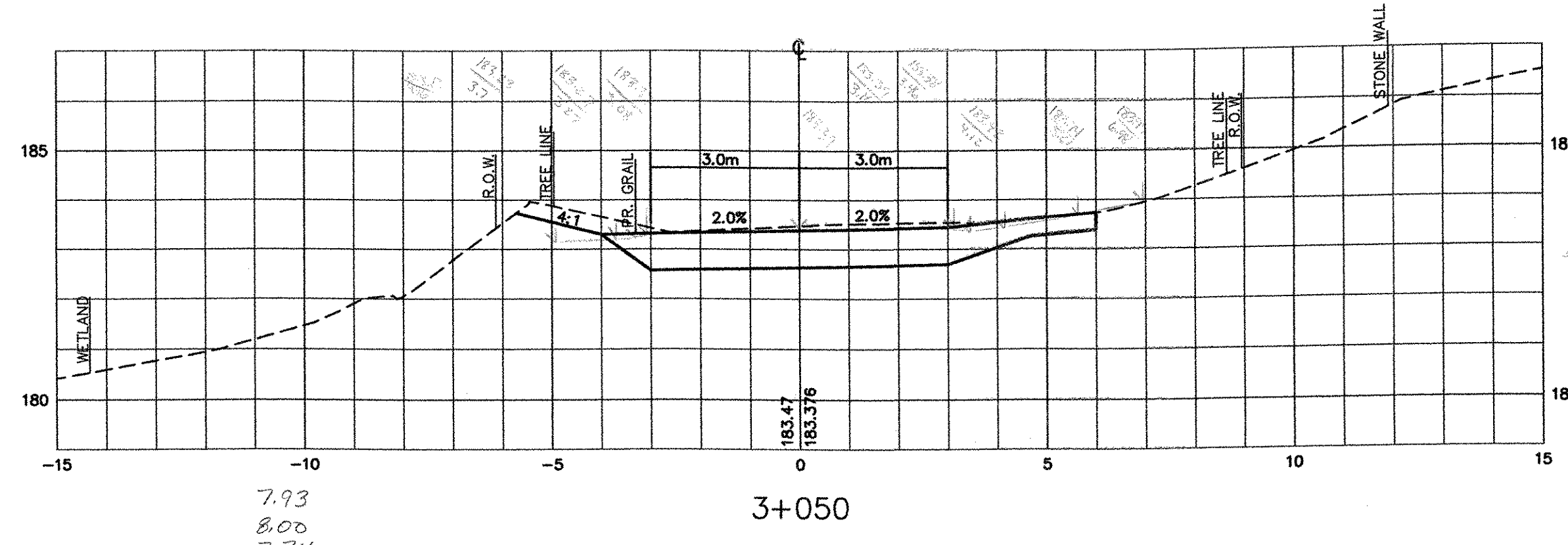
3+060

5.81
5.87
5.81
5.83 sm



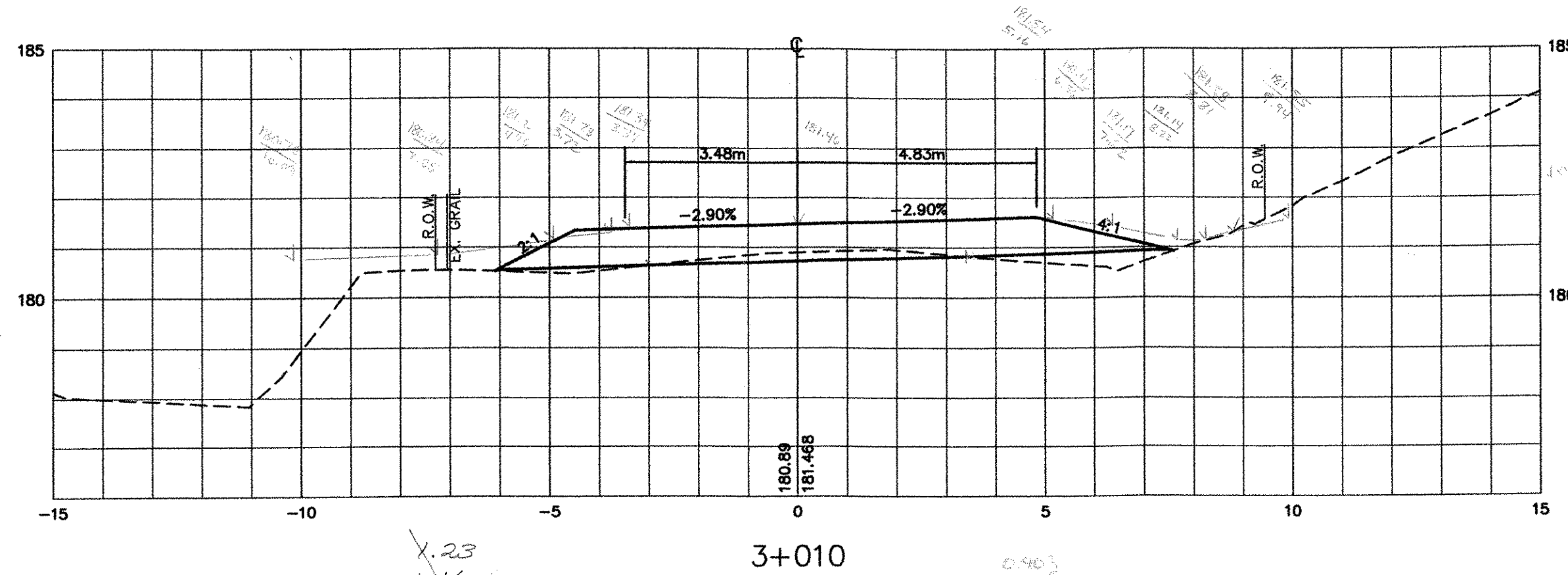
* No Common Exc.

3+020



3+050

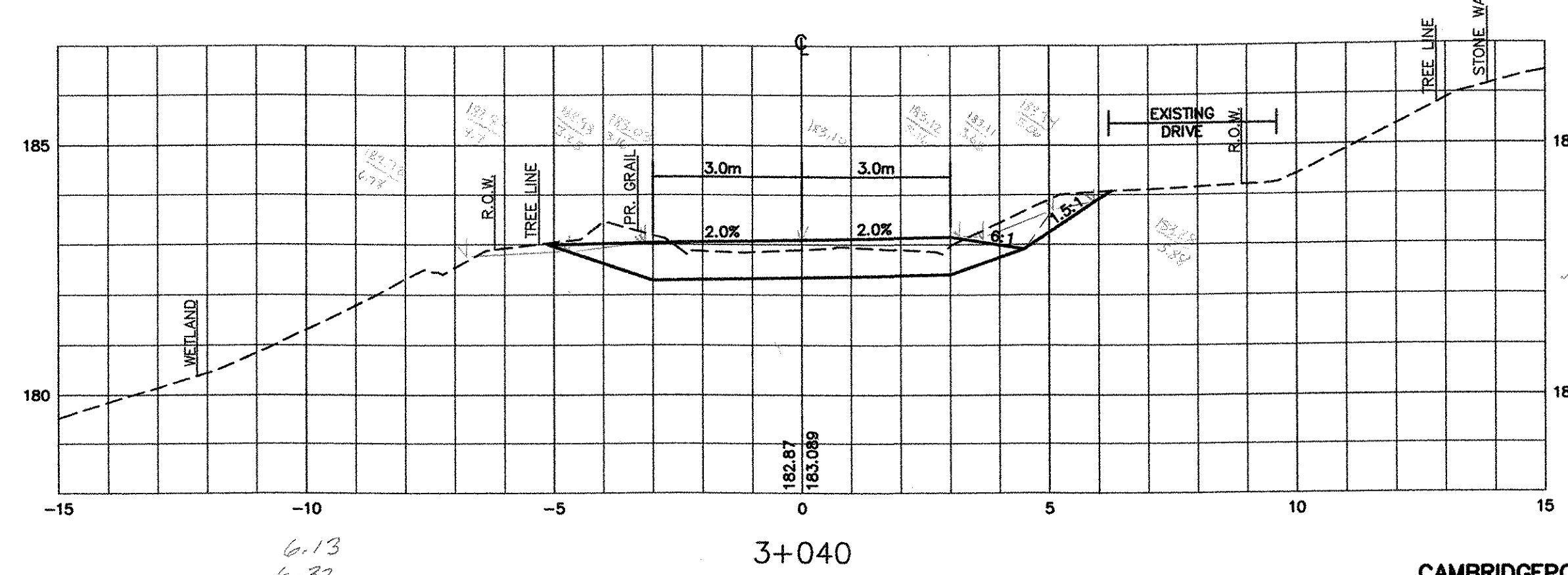
7.93
8.00
7.74
7.89 sm



3+010

1.23
1.16
1.29
1/23 sm

0.903
0.837
2.527
2.527/3 = 0.862



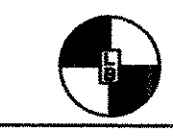
3+040

6.13
6.32
6.45
6.30 sm

DATUM
VERTICAL NGVD 1929
HORIZONTAL NAD 1927

V: /1261/CADD/PLANS/XSECTIONS-CAMBRIDGE.DWG

* ZERO @ 3+009



THE LOUIS BERGER GROUP, INC.

CAMBRIDGEPORT ROAD SECTIONS	
PROJECT: GRAFTON-ROCKINGHAM, ROUTE 121	PROJECT NO. : STP 0126(4)S
DESIGN FILE NAME: IPARM FILE NAME: SURVEYED BY: SQUAD LEADER:	PLOT DATE: 12/08/03 SURVEY DATE: DRAWN BY: SHEET: 101 OF 116