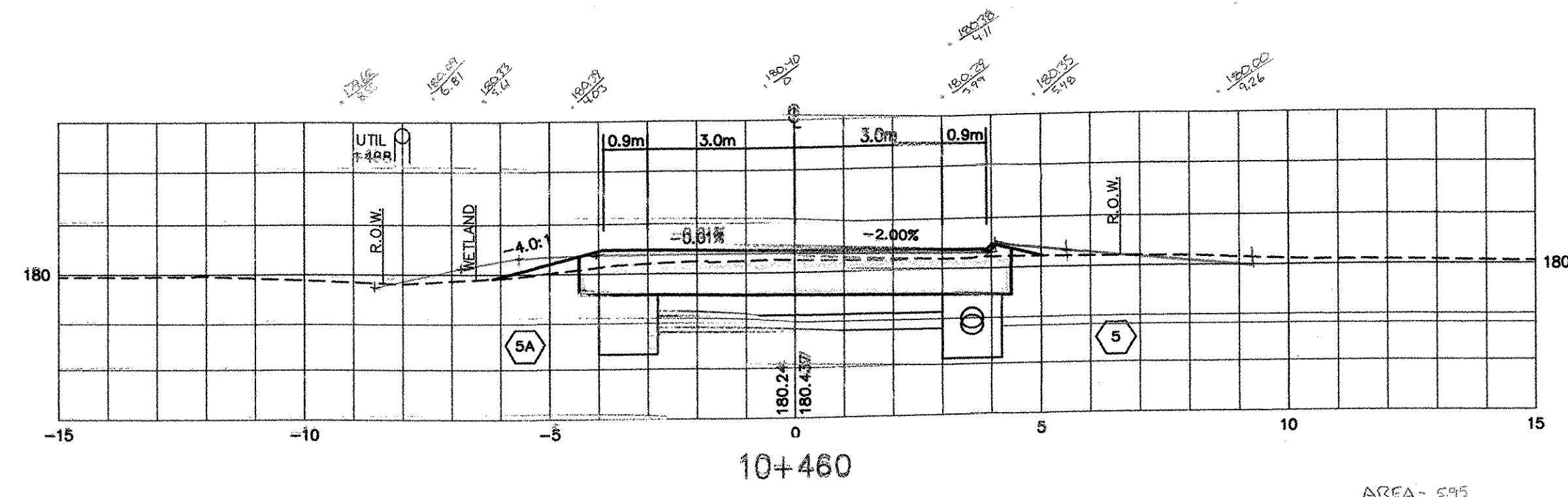
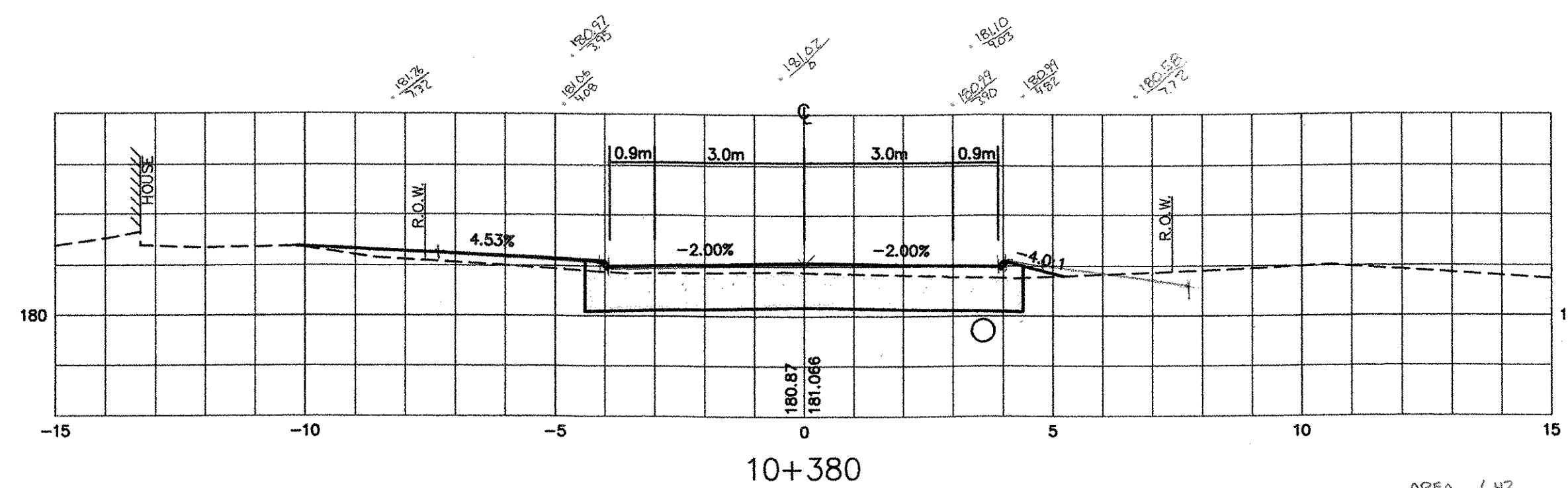


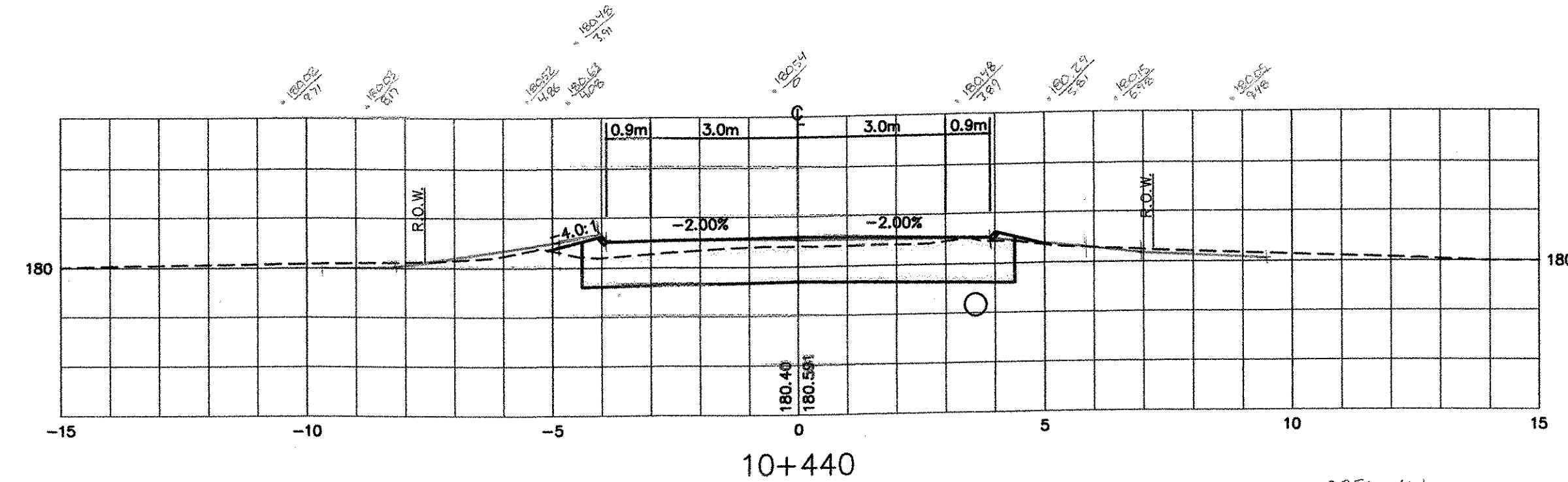
AREA = 6.33  
6.27  
6.28  
 $18.88 / 3 = 6.29m + (0.75 \times 0.5m)$   
 $= 6.475m$



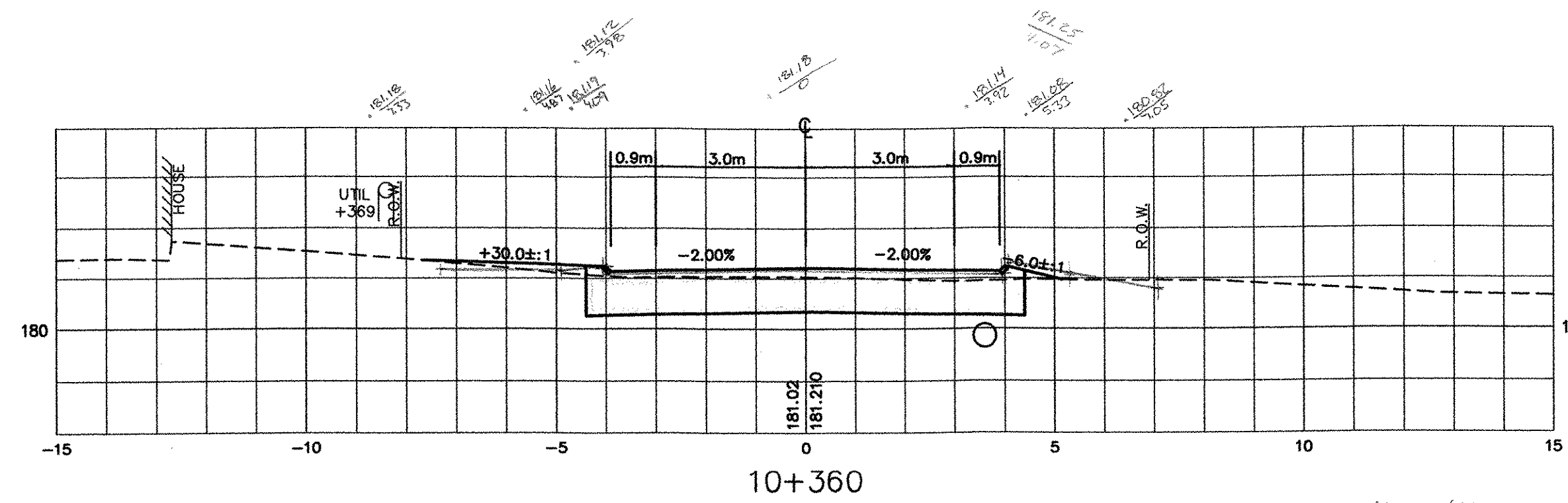
AREA = 5.95  
5.91  
5.92  
 $17.64 / 3 = 5.88m$



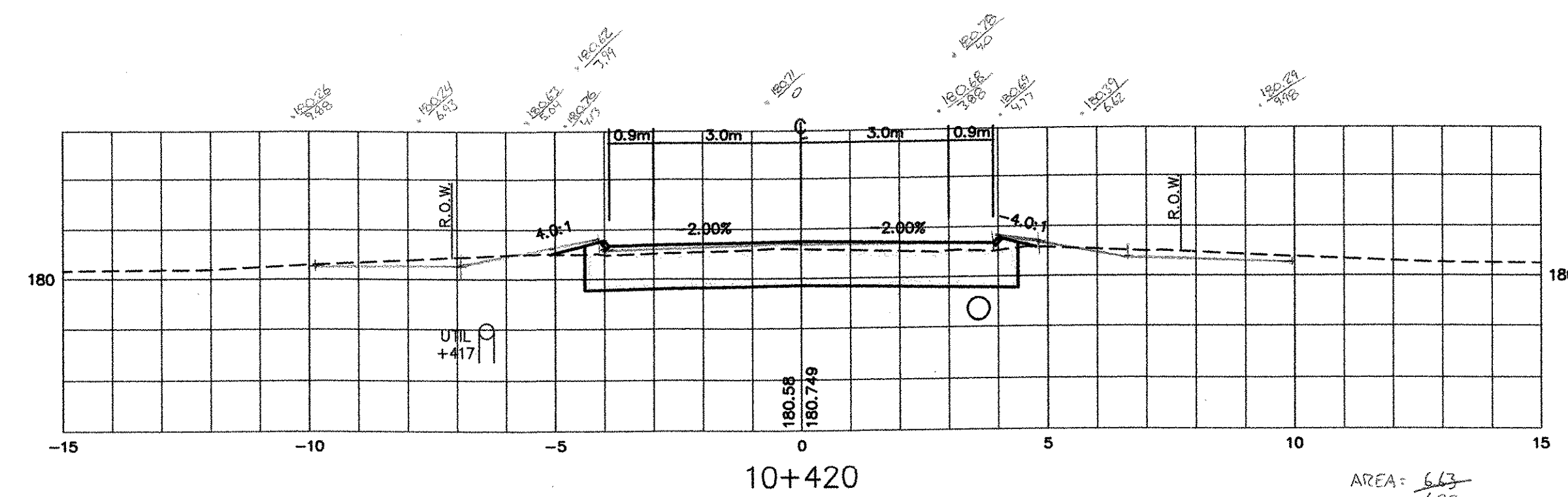
AREA = 6.42  
6.32  
6.28  
 $19.02 / 3 = 6.34m$



AREA = 6.41  
6.36  
6.43  
 $19.22 / 3 = 6.41m$



AREA = 6.41  
6.32  
6.35  
 $19.28 / 3 = 6.36m$



AREA = 6.43  
6.32  
6.36  
6.42  
 $19.70 / 3 = 6.37m$

DATUM	
VERTICAL	NGVD 1929
HORIZONTAL	NAD 1927

V: /1261/CADD/PLANS/SECTIONS-FINAL-ROUTE121-C2A.DWG

THE LOUIS BERGER GROUP, INC.

ROUTE 121 CROSS SECTIONS	
PROJECT: GRAFTON-ROCKINGHAM, ROUTE 121	PROJECT NO. : STP 0126(4)S
DESIGN FILE NAME: IPARM FILE NAME: SURVEYED BY: SQUAD LEADER:	PLOT DATE: 12/08/03 SURVEY DATE: DRAWN BY: SHEET: 61 OF 116

2/10/06