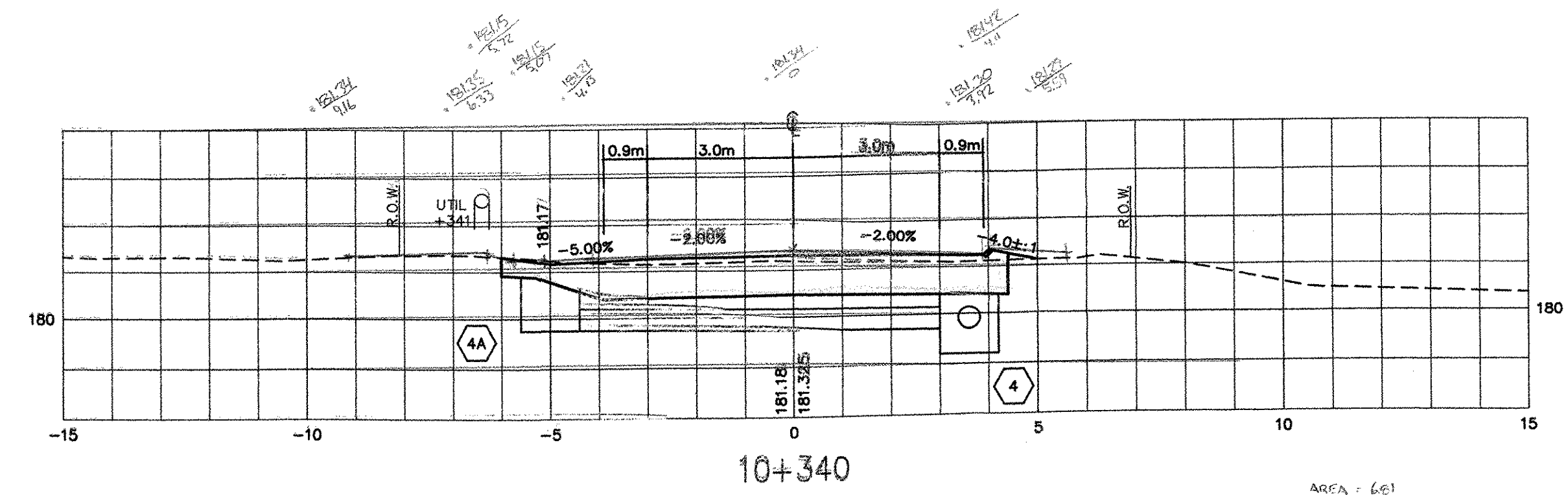
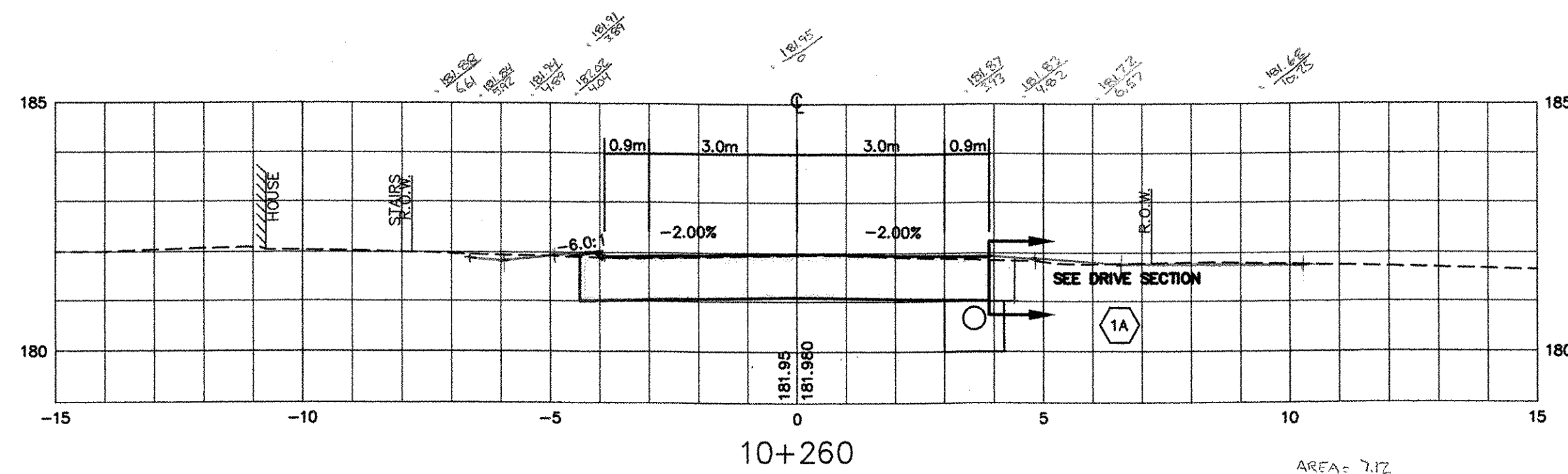


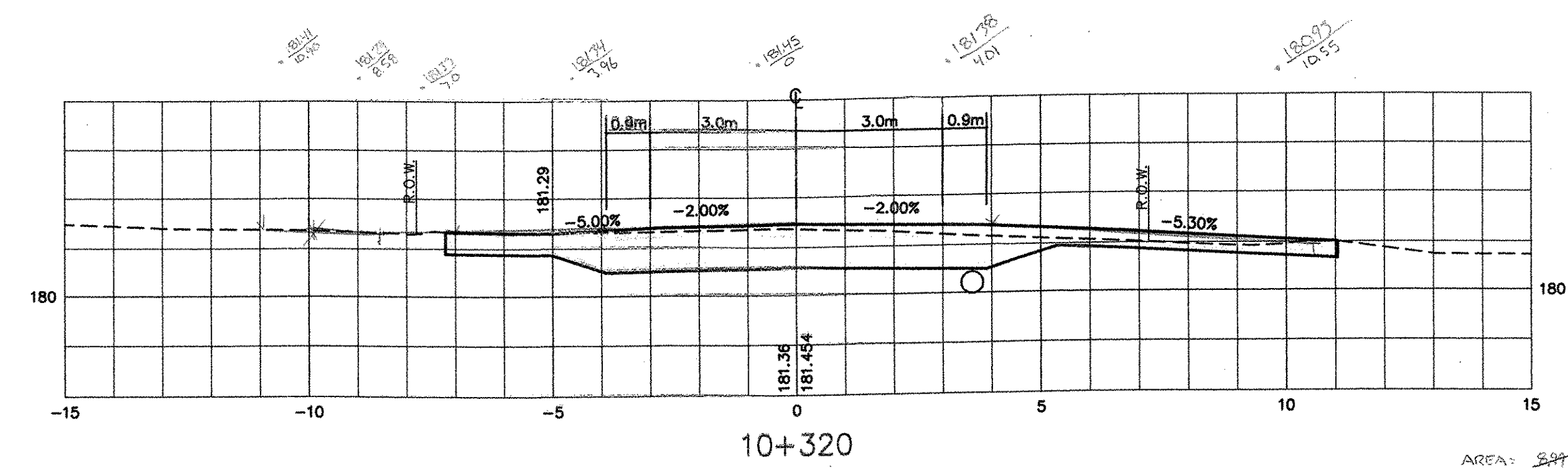
AREA: 6.32
6.26
6.25
 $18.00/3 = 6.00m = (0.5 \times 0.7) = 6.64m$



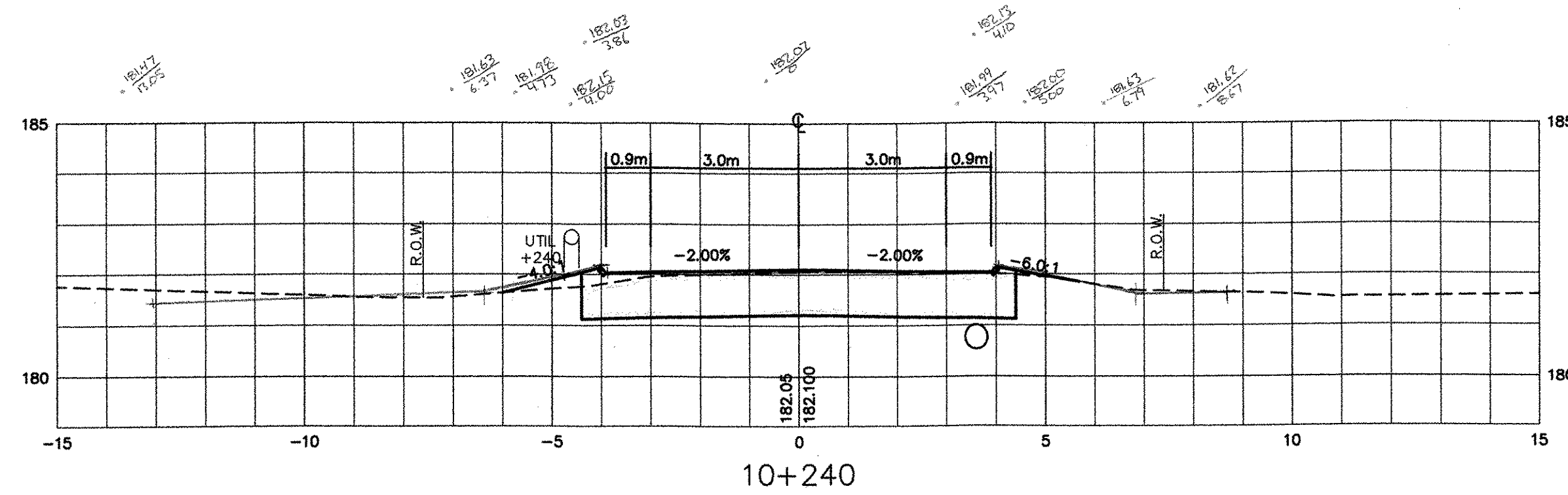
AREA: 6.61
6.43
6.27
 $20.21/3 = 6.74$



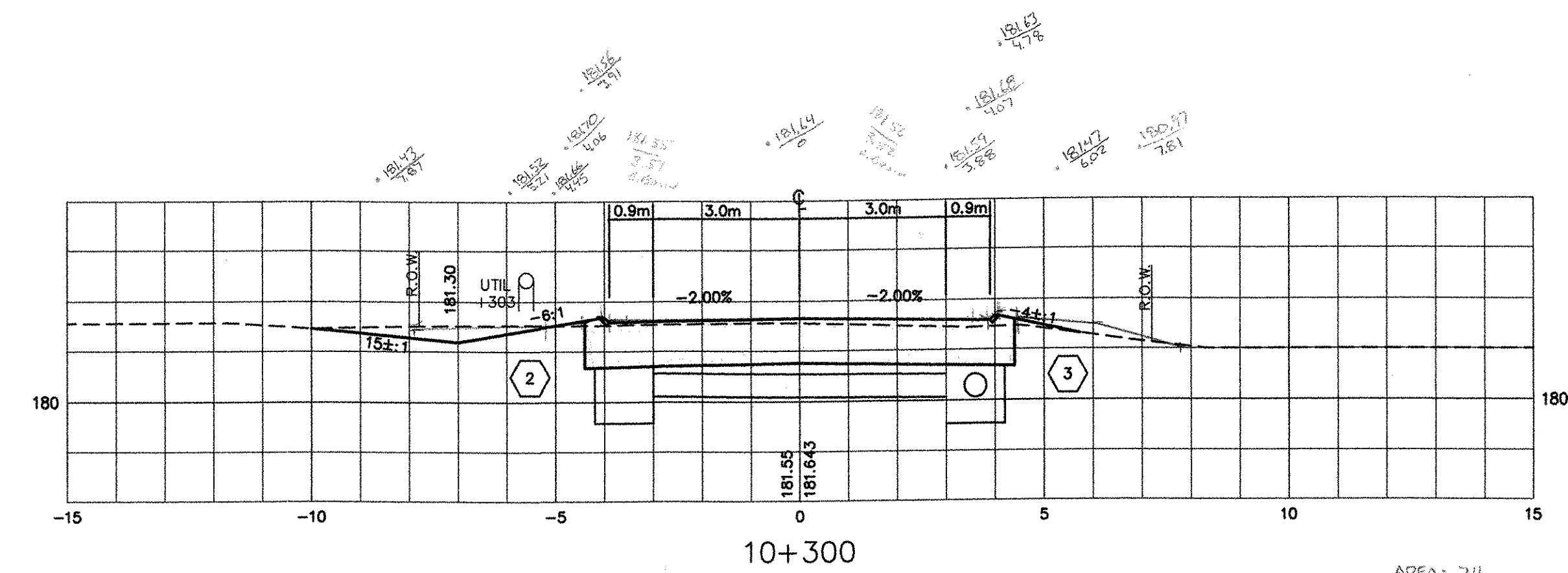
AREA: 7.12
7.06
7.05
 $21.53/3 = 7.18m = (0.5 \times 0.6) = 7.58m$



AREA: 8.44
8.31
8.20
8.14
 $28.85/3 = 9.62m$



AREA: 7.60
7.47
7.66
 $22.83/3 = 7.64m$



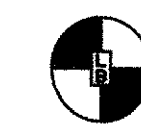
AREA: 7.11
7.15
7.14
 $21.40/3 = 7.13m$

DATUM
VERTICAL NGVD 1929
HORIZONTAL NAD 1927

V: /1261/CADD/PLANS/SECTIONS-FINAL-ROUTE121-C2A.DWG

ROUTE 121 CROSS SECTIONS

PROJECT: GRAFTON-ROCKINGHAM, ROUTE 121	PROJECT NO. : STP 0126(4)S
DESIGN FILE NAME: IPARM FILE NAME: SURVEYED BY: SQUAD LEADER:	PLOT DATE: 12/08/03 SURVEY DATE: DRAWN BY: SHEET: 60 OF 116



THE LOUIS BERGER GROUP, INC.