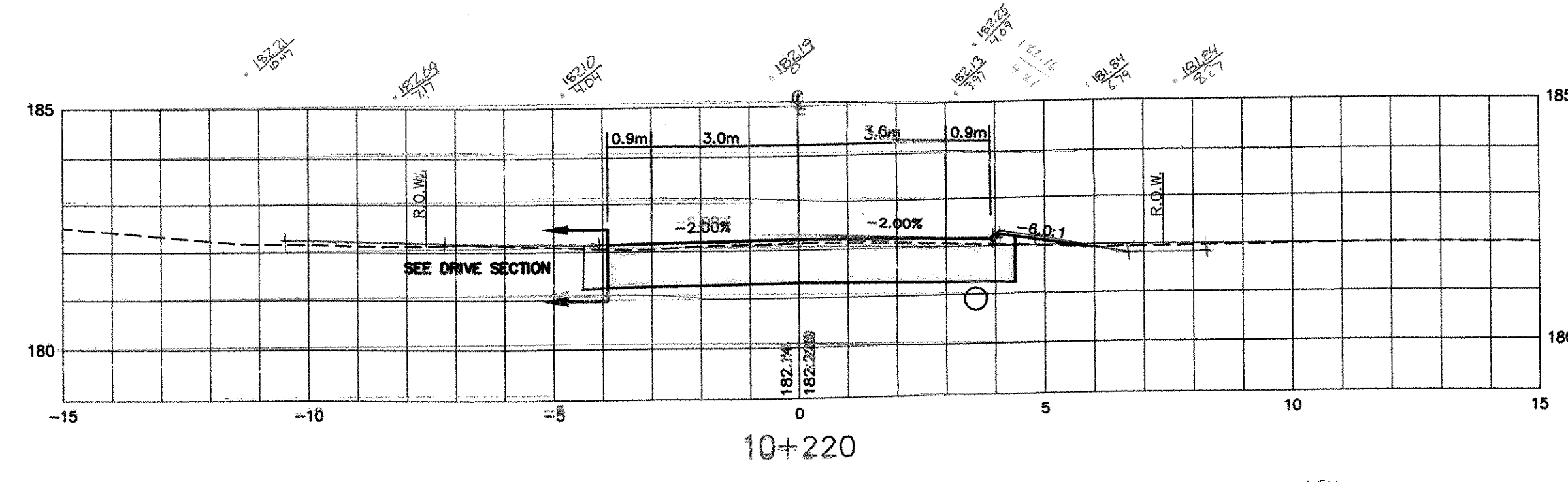
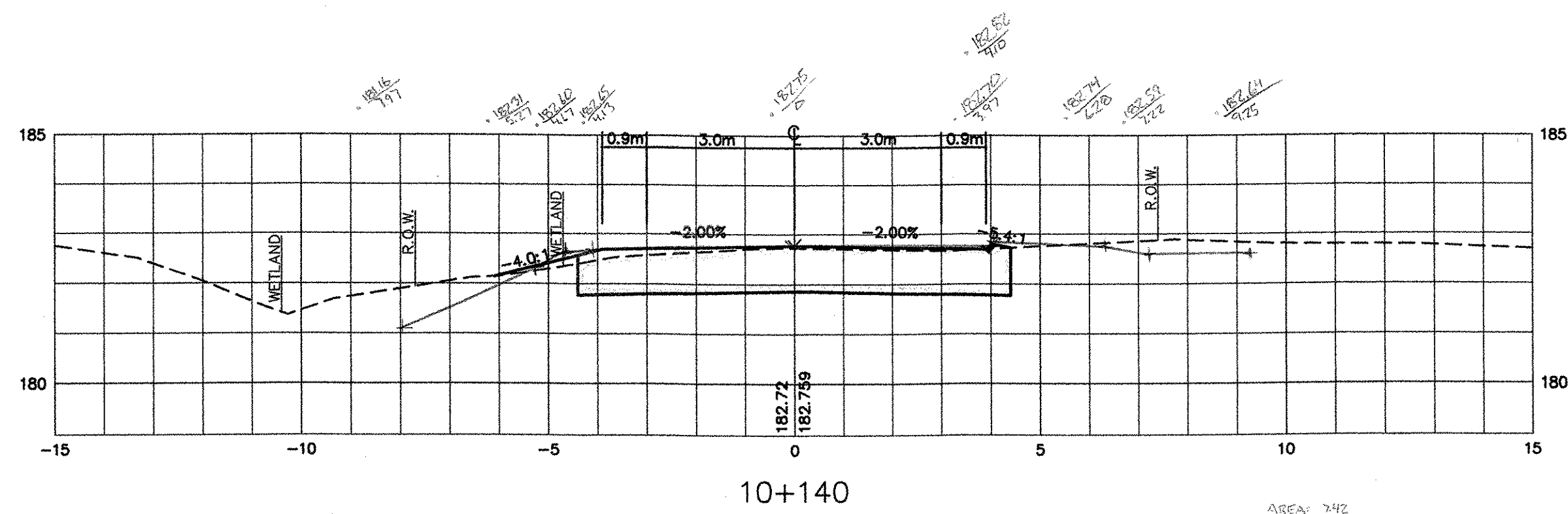


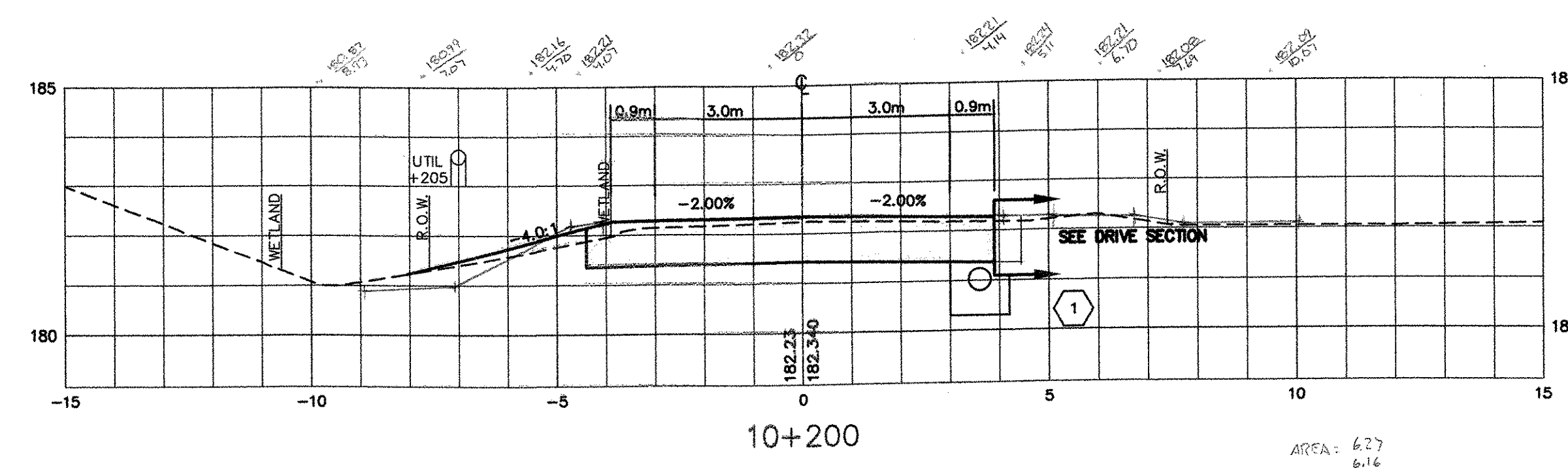
AREA: 643
6.36
6.38
 $3\sqrt{R^2} = 6.38m + (0.5 \times 0.8) = 6.78m$



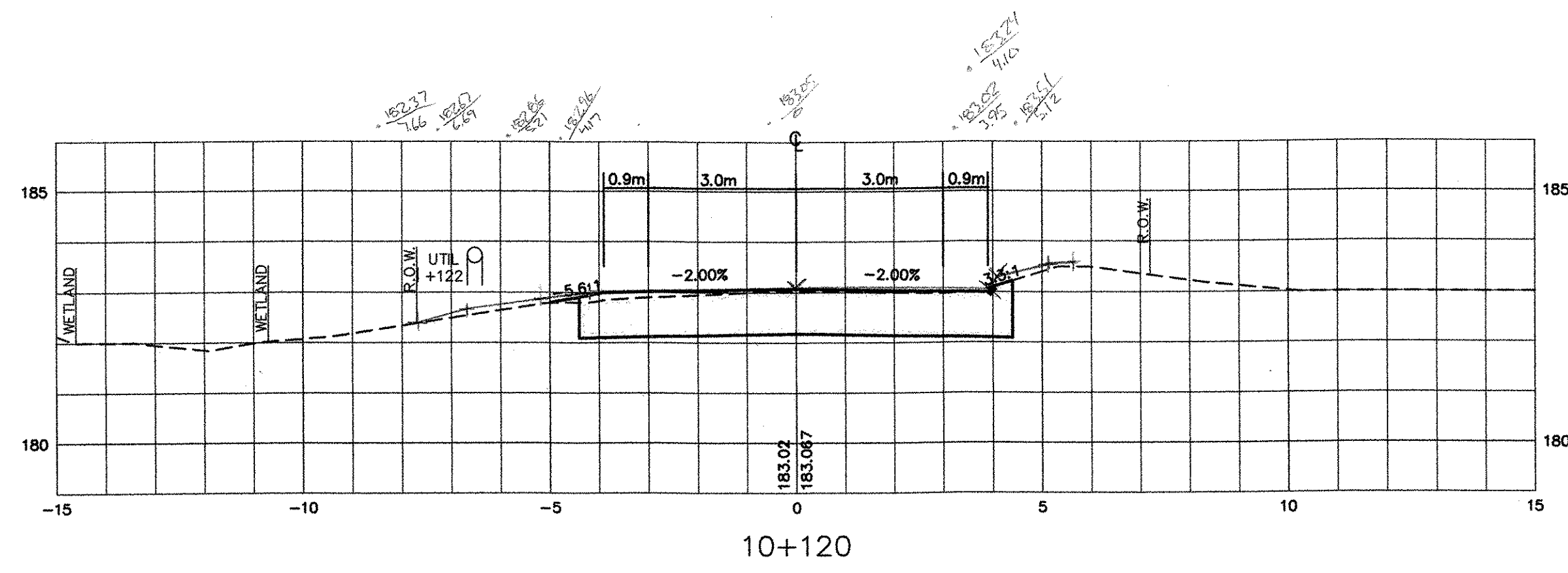
AREA: 456
4.55
4.60
 $3\sqrt{R^2} = 4.57m + (0.5 \times 0.8) = 6.97m$



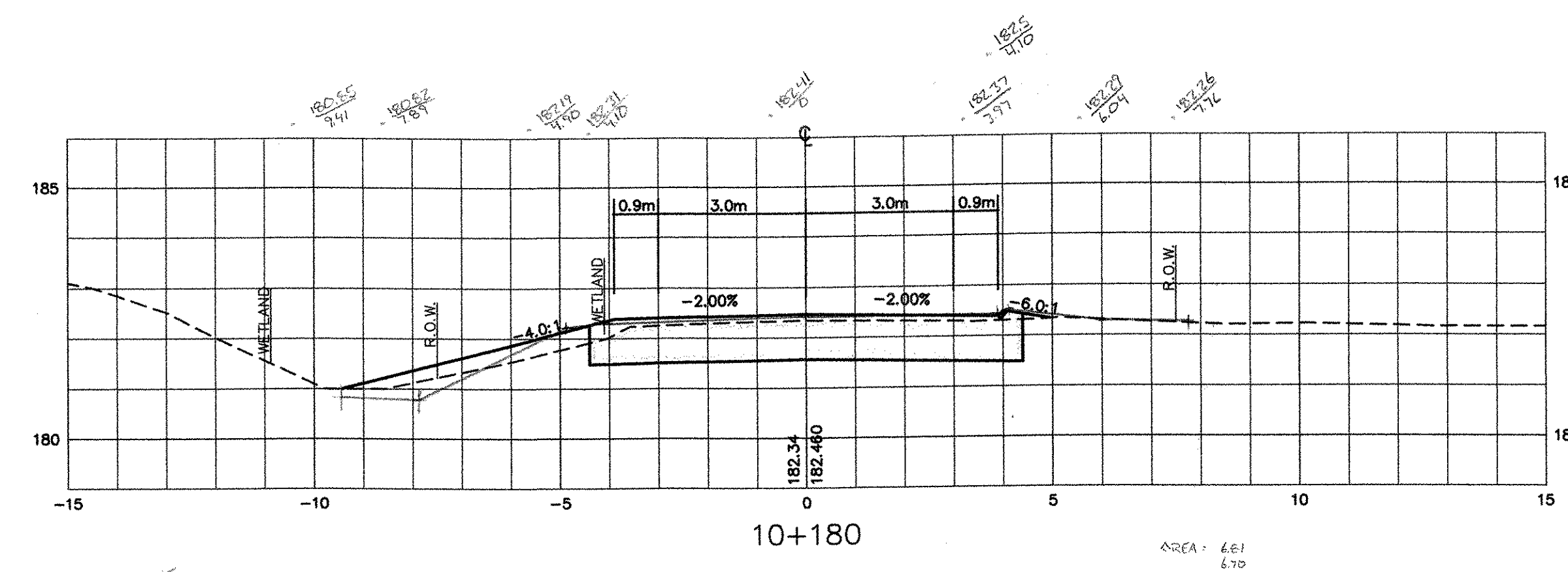
AREA: 342
3.55
3.70
 $3\sqrt{R^2} = 3.36m$



AREA: 627
6.16
6.22
 $3\sqrt{R^2} = 6.27m + (0.5 \times 0.8) = 6.62m$



AREA: 743
7.41
7.41
 $3\sqrt{R^2} = 7.48m$



AREA: 661
6.70
6.78
 $3\sqrt{R^2} = 6.76m$

1 PLOT 0.5
2/12/06

2/6/06

DATUM
VERTICAL NGVD 1929
HORIZONTAL NAD 1927

V: /1261/CADD/PLANS/SECTIONS-FINAL-ROUTE121-C2A.DWG

THE LOUIS BERGER GROUP, INC.

ROUTE 121 CROSS SECTIONS	
PROJECT: GRAFTON-ROCKINGHAM, ROUTE 121	PROJECT NO. : STP 0126(4)S
DESIGN FILE NAME: IPARM FILE NAME: SURVEYED BY: SQUAD LEADER:	PLOT DATE: 12/08/03 SURVEY DATE: DRAWN BY: SHEET: 59 OF 116