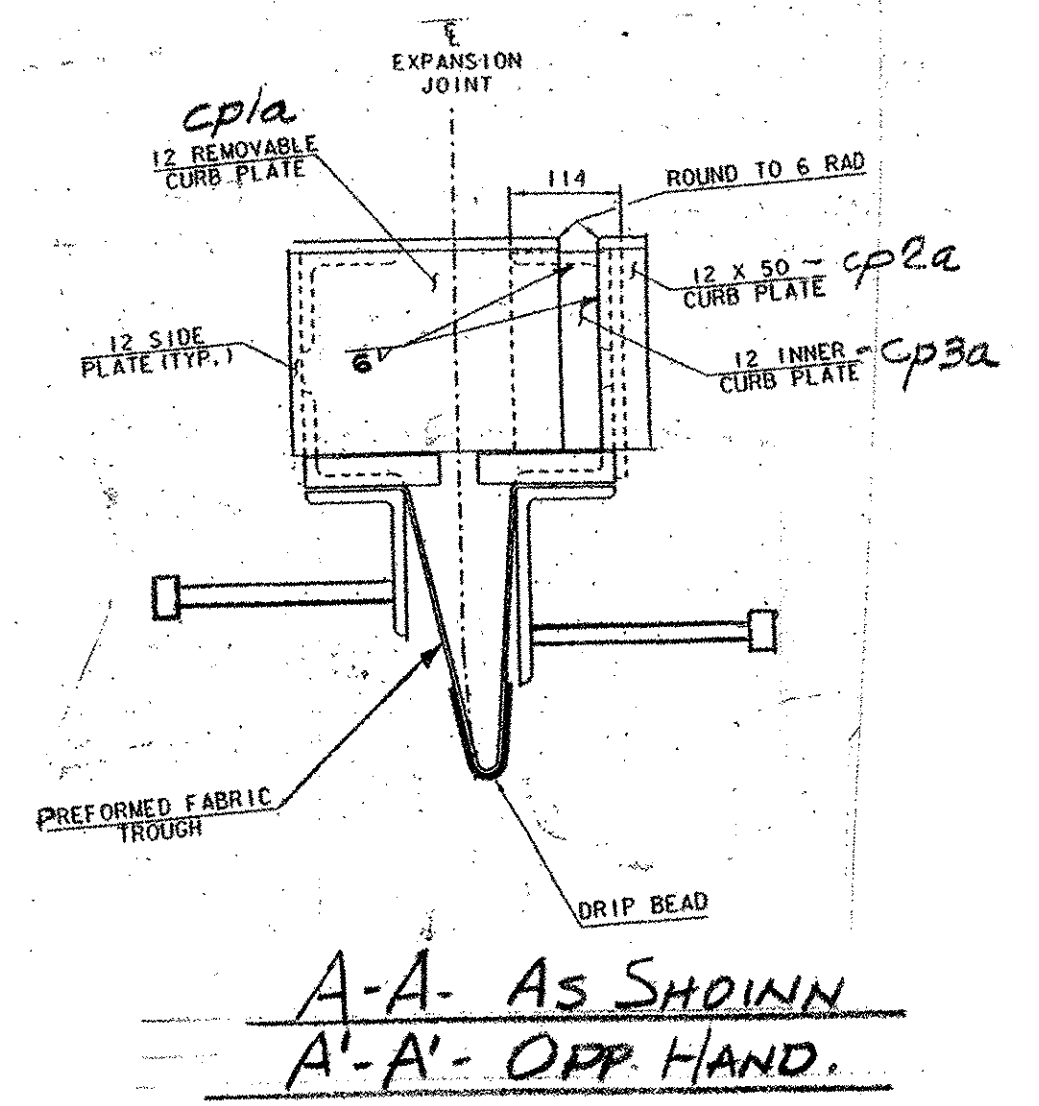
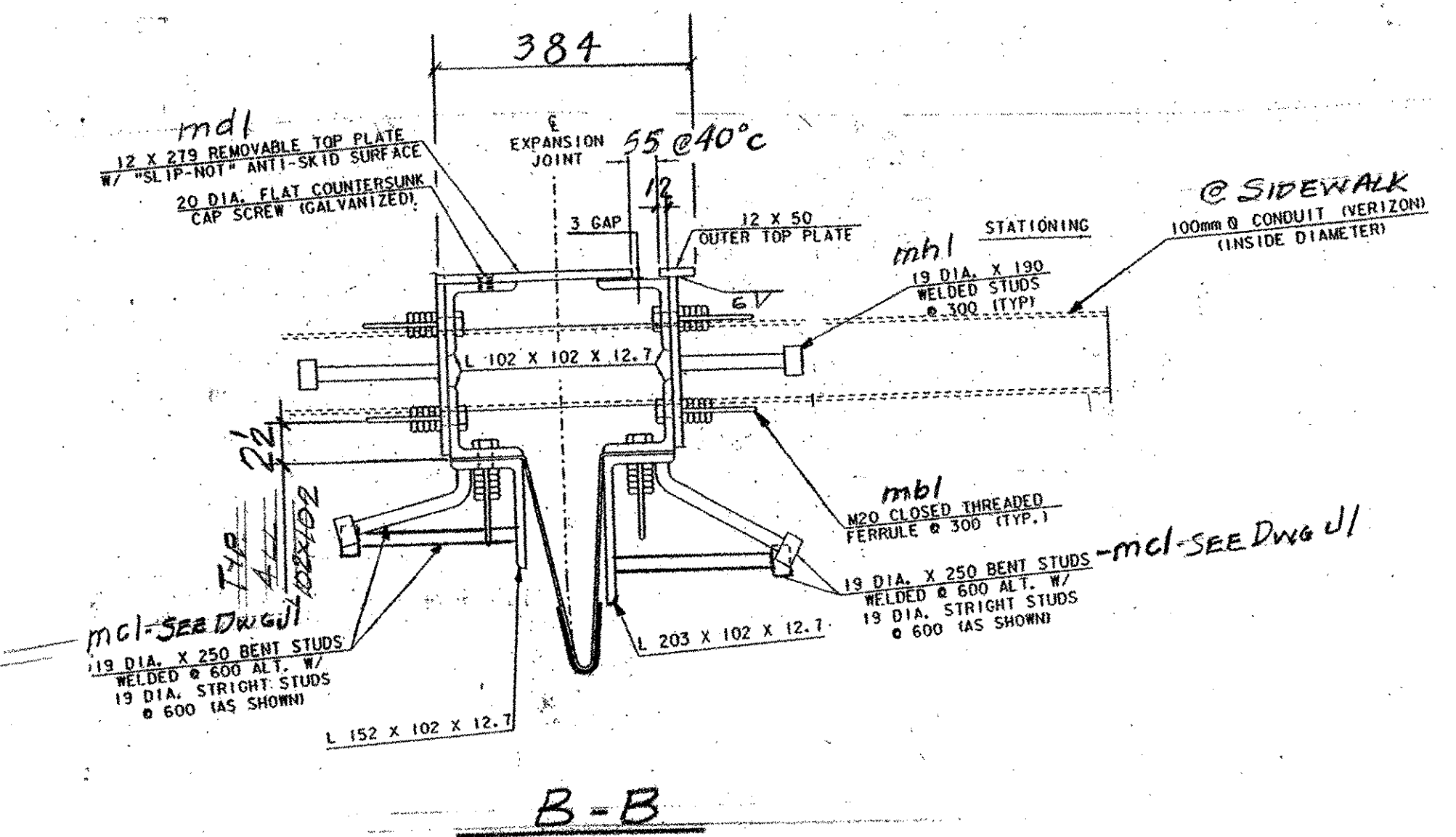
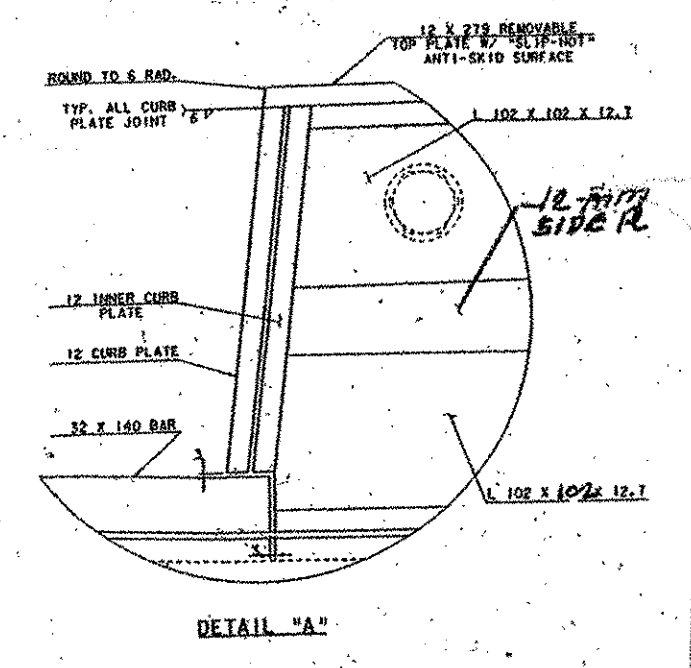


Concrete railing will block access to cap screws. Spacing adjusted.



OUT FOR APPROVAL	3-13-06																		
OUT FOR APPROVAL																			
ISSUED TO SHOP																			
FIELD & OFFICE																			
REV.	REMARKS	DATE	DWN	CHK	APP	Q.A.	NO.	DIA.	LGT	TYPE	WASHER								
	PROJECT NO. BRF-0241 (33)	3/2																	
	MATERIAL: 12 X 50 CURB PLATE	12 X 50																	
	ELECTRODES: SEE PROC																		
	HOLES: AS NOTED																		
	SHOP BOLTS: M20																		
	SURFACE PREP. & PAINT:																		
	GALVANIZED AFTER FAB. (ASTM-A123)																		
DESCRIPTION:	EXP JOINT @ PIER																		
DRAWN BY:	JPF																		
DATE:	2-06																		
JOB:	VT. 12 OVER NEW ENGLAND GERR																		
CHKD BY:	EJ																		
APPROV BY:	BETHEL, VT.																		
Q.A.																			
CUSTOMER:	KUBRICKY CONSTR. CO.																		
DESCRIPTION:	CASCO BAY STEEL STRUCTURES, INC.																		
JOB NO.:	279																		
DRG. NO.:	J1A																		
75 SPRING HILL ROAD	SACO, MAINE 04072																		
PHONE (207) 282-7380	FAX (207) 282-1179																		

RECEIVED
 CK'D BY: KW OK'D BY: M.S.
 MAR 2 1 2006
 RESUBMIT: AS NOTED
 BY: CPW DATE: 4/20/06

PLANS DRAWN USING
METRIC
 DIMENSIONS