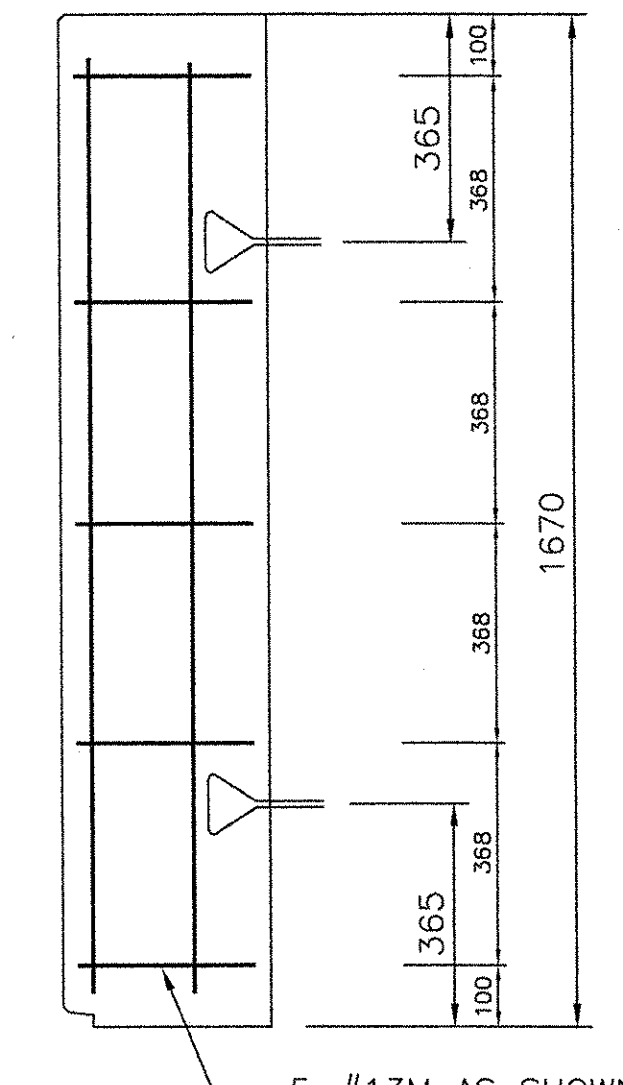
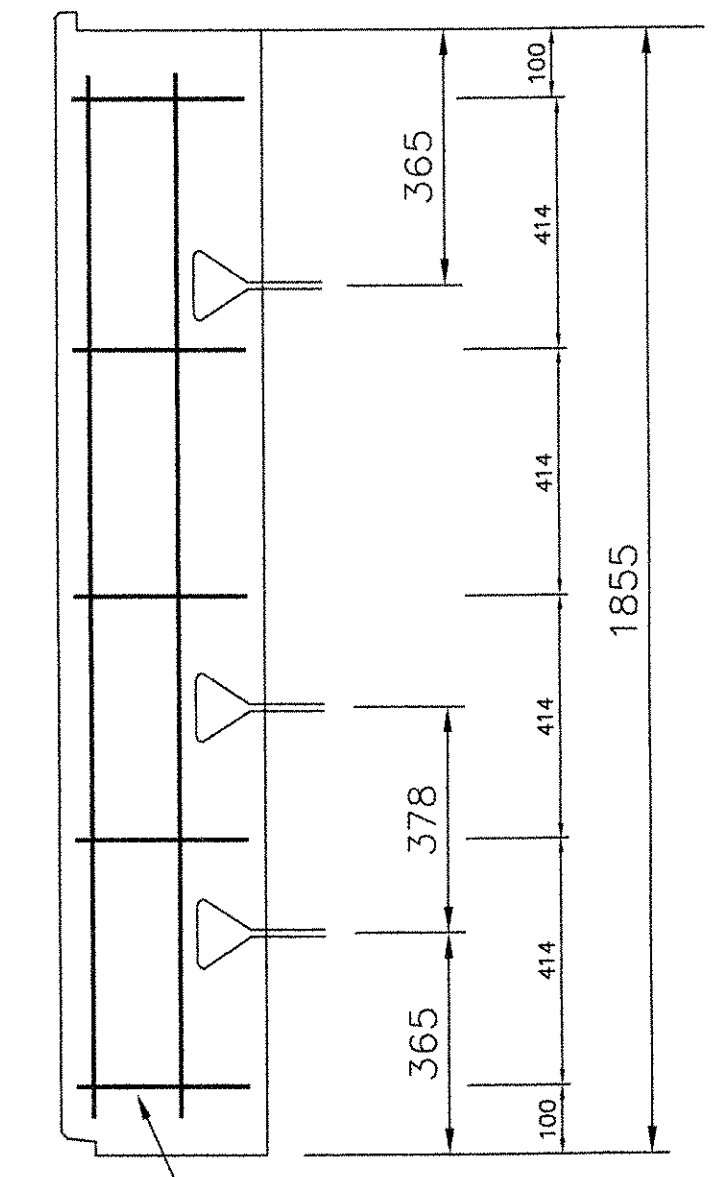


CE2A-2-R4

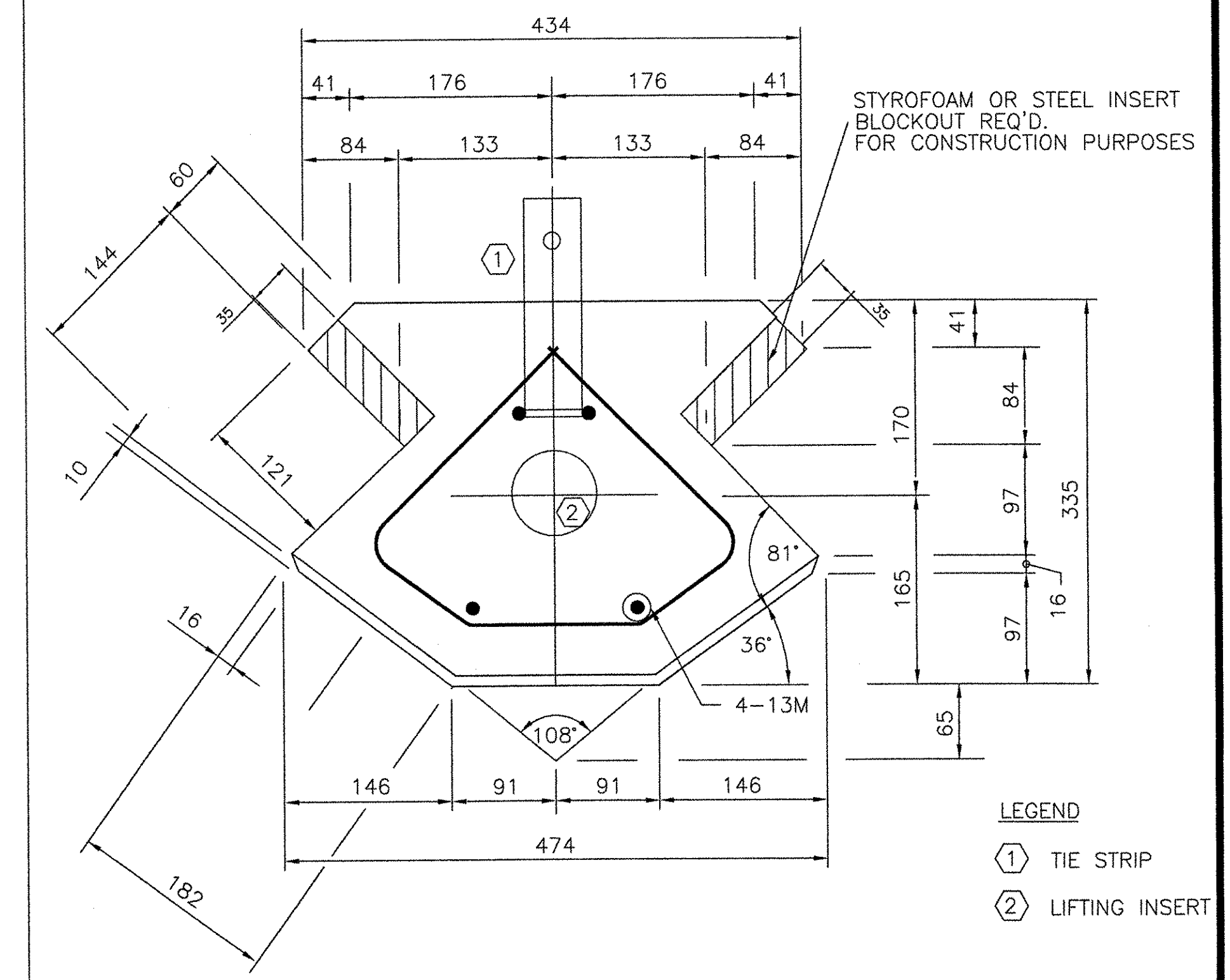


CE2K-2-R4

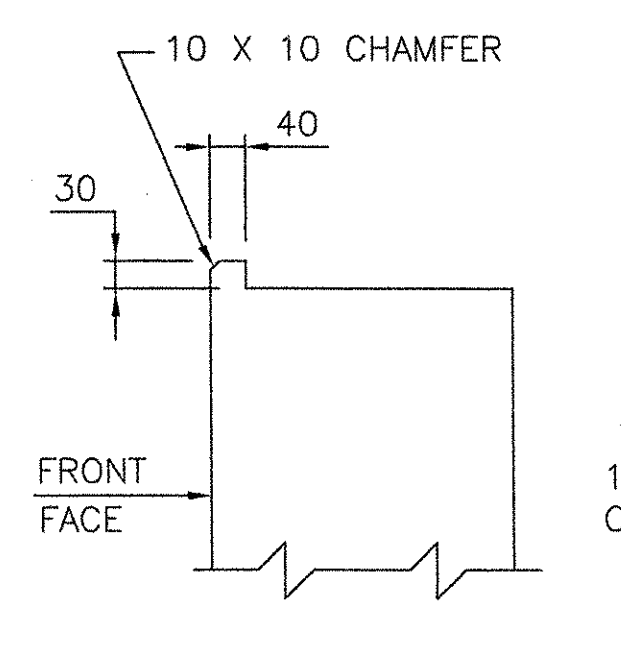


CE2P-3-R4

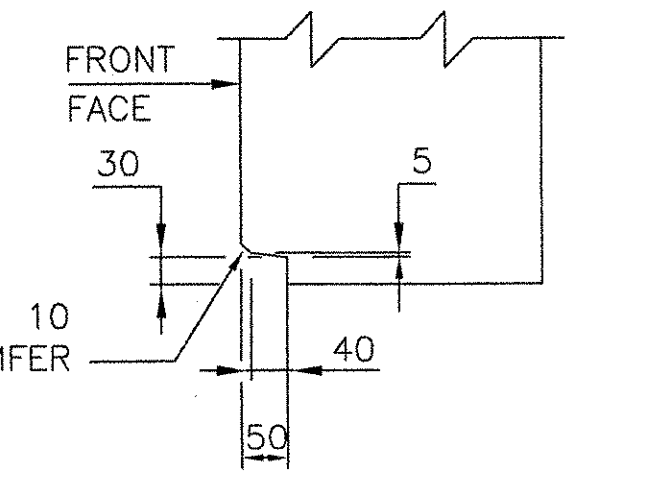
CORNER ELEMENT TYPICAL SECTIONS
SCALE: 1"=1'-0"



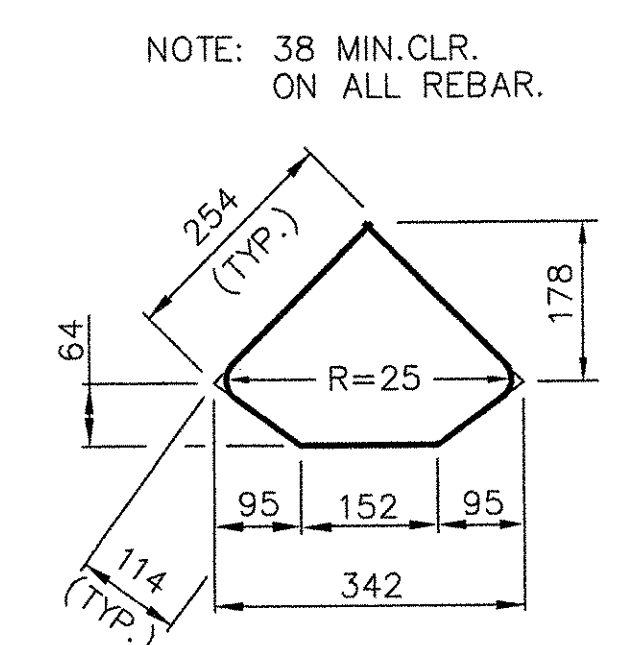
CORNER ELEMENT TYPE 2 90± - 118±
SCALE: 1:5



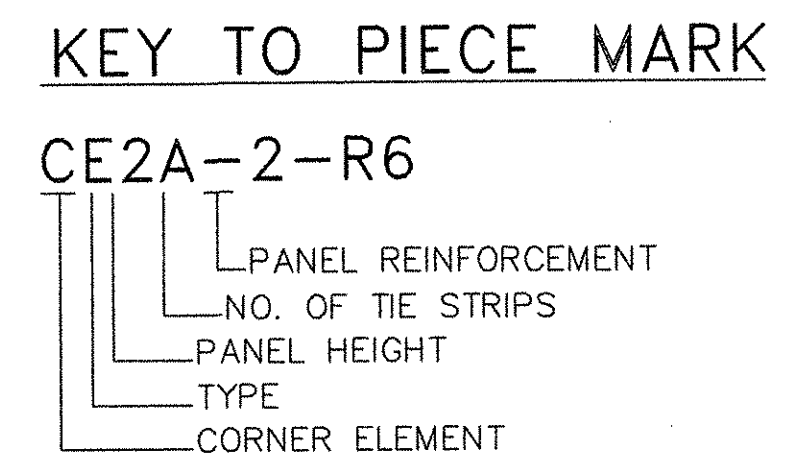
DETAIL "A"
SCALE: 1:20



DETAIL "B"
SCALE: 1:20



BAR DETAIL
SCALE: 1:20
(DIMENSIONS SHOWN ARE OUT TO OUT)



RECEIVED
OK'D BY *[Signature]* OK'D BY *[Signature]*
JUL 28 2005
RESUBMIT APPROVED
BY *[Signature]* DATE 2/3/05

CERTIFIED WITH RESPECT TO THE INTERNAL STABILITY OF REINFORCED EARTH STRUCTURES ONLY
PETER L. ANDERSON
6101
PROFESSIONAL ENGINEER
7/23/05

VT AOT PROJ. NO. BRP 0241 (33) C/2

C:\SHARED\11843\SHOPS\11843_S07.DWG

This drawing contains information proprietary to The Reinforced Earth Company, and is being furnished for the use of VT AOT only in connection with this project, and the information contained herein is not to be transmitted to any other organization unless specifically authorized in writing by The Reinforced Earth Company. The Reinforced Earth Company is exclusive licensee in the United States under patents issued to Henri Vidal, and the furnishing of this drawing does not constitute an expressed or implied license under the Vidal patents.

The design contained on these drawings is based on information provided by the owner. On the basis of this information, The Reinforced Earth Company has designed, and is responsible for the internal stability of the structure only. External stability, including foundation and slope stability, is the responsibility of the owner.

The Reinforced Earth Company
8614 Westwood Center Drive Suite 1100, Vienna, Virginia 22182 (703) 821-1175
"REINFORCED EARTH" is the registered trademark of The Reinforced Earth Company.

DESIGNED BY: JM KC	PROJECT ENGR: JM KC	CHECKED BY: KPB	ENG. MANAGER	REV.	DATE	DESCRIPTION	PROJECT NAME BRIDGE IMPROVEMENT VT 12 OVER NEW ENGLAND CENTRAL RAILROAD	LOCATION BETHEL VERMONT	OWNER VT AOT <i>163 R&W</i>	DRAWING NO. S7 OF S8	SCALE AS SHOWN
							DRAWING COVERS	CORNER ELEMENT DETAILS	DATE 7/21/2005	CONTRACT NO. 11843	