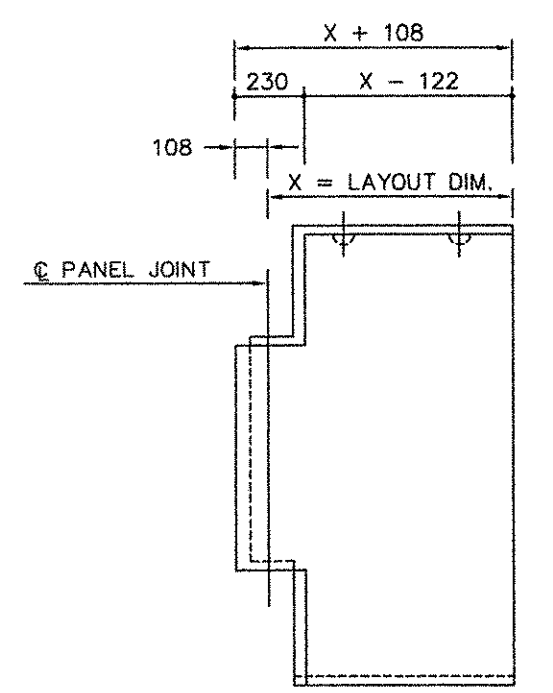


QR-6-R6-1241
NOTE: FOR LOCATION OF LIFTING INSERTS SEE DETAIL P



"CUT" PANEL DIMENSION METHOD

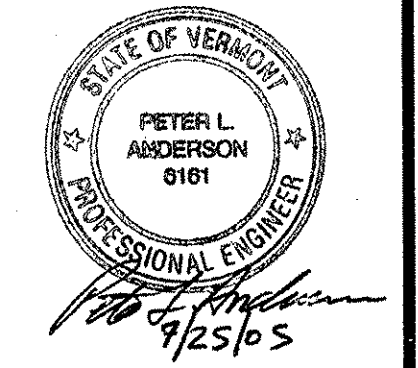
NOTE: "LEFT" CUT SHOWN, RIGHT CUT MIRROR IMAGE

ALL PANELS SHOWN BACKFACE

FOR SECTIONS A-A THRU H-H; K-K THRU M-M, P-P, AND R-R THRU U-U SEE SHEET S2
FOR DETAILS N, O AND P, SEE SHEET S3

RECEIVED
OK'D BY KWH OK'D BY M.G.
JUL 28 2005
RESUBMIT _____ APPROVED _____
BY CPW DATE 8/31/05

CERTIFIED WITH RESPECT TO THE INTERNAL STABILITY OF REINFORCED EARTH STRUCTURES ONLY



VT AOT PROJ. NO. BRF 0241 (33) C/2

C:\SHARED\11843\SHOPS\11843_S06.DWG

This drawing contains information proprietary to The Reinforced Earth Company, and is being furnished for the use of VT AOT only in connection with this project, and the information contained herein is not to be transmitted to any other organization unless specifically authorized in writing by The Reinforced Earth Company. The Reinforced Earth Company is exclusive licensee in the United States under patents issued to Henri Vidal, and the furnishing of this drawing does not constitute an expressed or implied license under the Vidal patents.

The design contained on these drawings is based on information provided by the owner. On the basis of this information, The Reinforced Earth Company has designed, and is responsible for the internal stability of the structure only. External stability, including foundation and slope stability, is the responsibility of the owner.

The Reinforced Earth Company
8614 Westwood Center Drive Suite 1100, Vienna, Virginia 22182 (703) 821-1175

"REINFORCED EARTH" is the registered trademark of The Reinforced Earth Company.

DESIGNED BY: JMCC		PROJECT NAME BRIDGE IMPROVEMENT VT 12 OVER NEW ENGLAND CENTRAL RAILROAD	DATE 7/21/2005
PROJECT ENGR: JMCC		LOCATION BETHEL VERMONT	CONTRACT NO. 11843
CHECKED BY: KPB		OWNER VT AOT	DRAWING NO. S6 OF S8
ENG. MANAGER	REV. DATE DESCRIPTION	DRAWING COVERS PANEL CASTING DRAWINGS	SCALE AS SHOWN