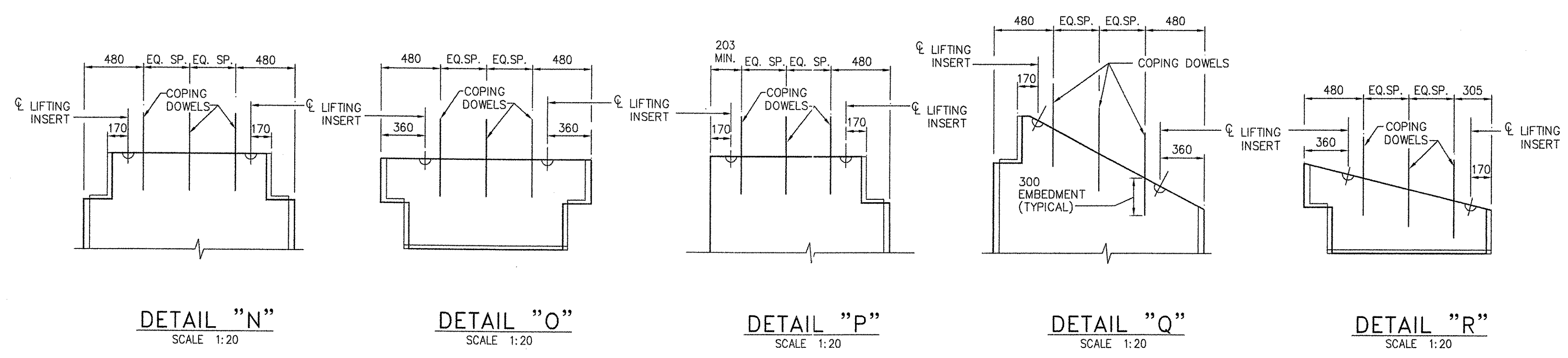


NOTES:  
ASHLAR STONE FINISH  
NOT SHOWN FOR CLARITY



ALL DIMENSIONS ARE IN MILLIMETERS  
UNLESS OTHERWISE NOTED

RECEIVED  
OK'D BY *k.m.d.* OK'D BY *M.G.*  
JUL 28 2005  
RESUBMIT  APPROVED   
BY *CPW* DATE *8/3/05*

CERTIFIED WITH  
RESPECT TO THE  
INTERNAL STABILITY  
OF REINFORCED EARTH  
STRUCTURES ONLY

*Peter L. Anderson*  
7/23/05

VT AOT PROJ. NO. BRF 0241 (33) C/2

This drawing contains information proprietary to The Reinforced Earth Company, and is being furnished for the use of VT AOT only in connection with this project, and the information contained herein is not to be transmitted to any other organization unless specifically authorized in writing by The Reinforced Earth Company. The Reinforced Earth Company is exclusive licensee in the United States under patents issued to Henri Vidal, and the furnishing of this drawing does not constitute an expressed or implied license under the Vidal patents.

The design contained on these drawings is based on information provided by the owner. On the basis of this information, The Reinforced Earth Company has designed, and is responsible for the internal stability of the structure only. External stability, including foundation and slope stability, is the responsibility of the owner.

**The Reinforced Earth Company**  
8614 Westwood Center Drive Suite 1100, Vienna, Virginia 22182 (703) 821-1175

"REINFORCED EARTH" is the registered trademark of The Reinforced Earth Company.

DESIGNED BY: JMKC				PROJECT NAME BRIDGE IMPROVEMENT VT 12 OVER NEW ENGLAND CENTRAL RAILROAD	DATE 7/22/2005
PROJECT ENGR: KPB				LOCATION BETHEL VERMONT	CONTRACT NO. RE-11843
CHECKED BY: KPB				OWNER VT AOT	DRAWING NO. S3 OF S8
ENG. MANAGER	REV.	DATE	DESCRIPTION	DRAWING COVERS	SCALE AS SHOWN

C:\SHARED\11843\SHOPS\11843\_S03.DWG