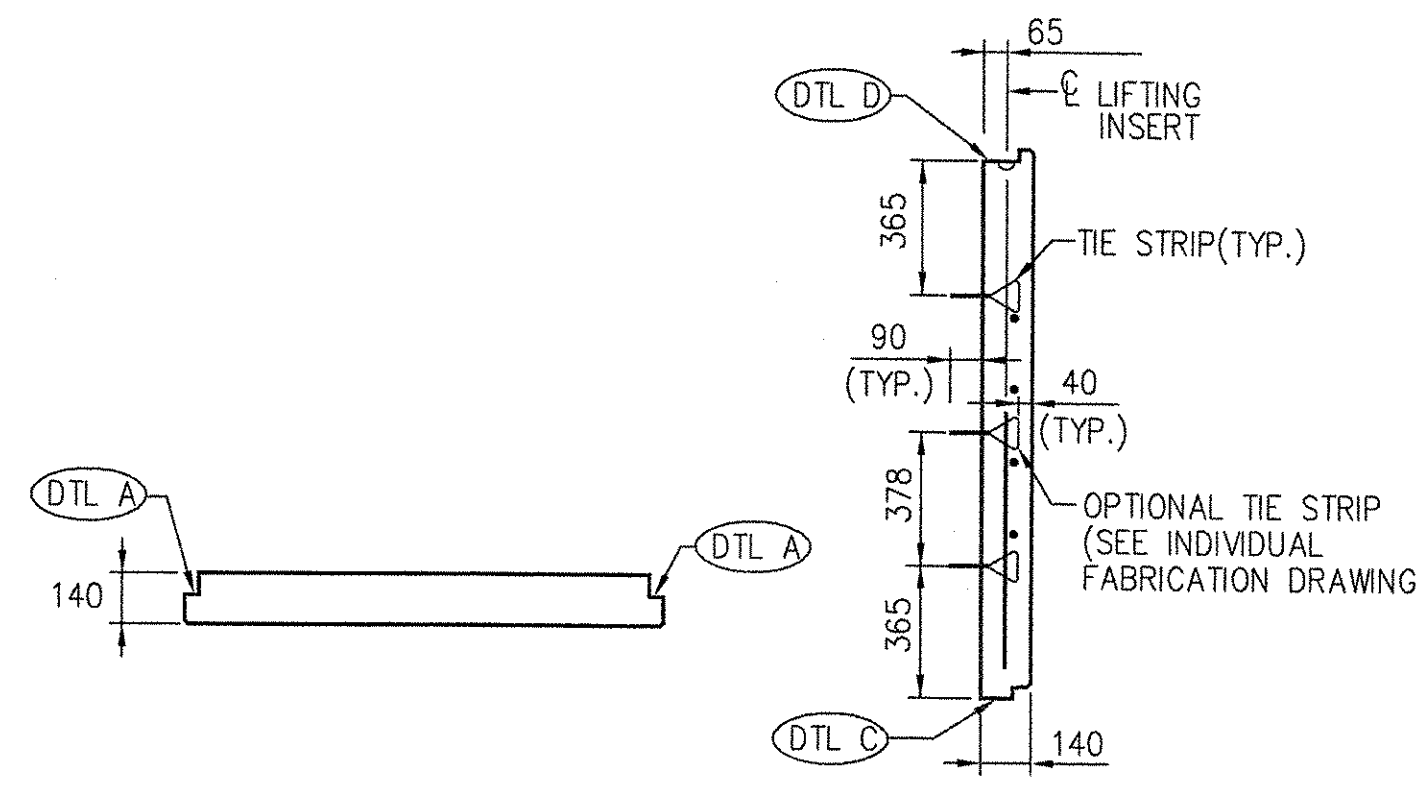
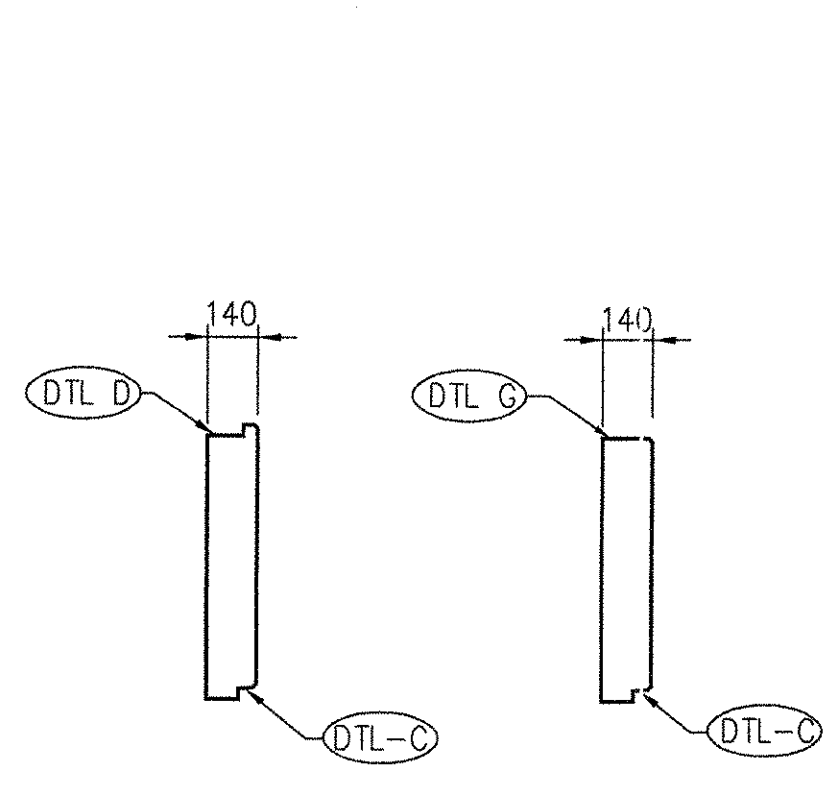


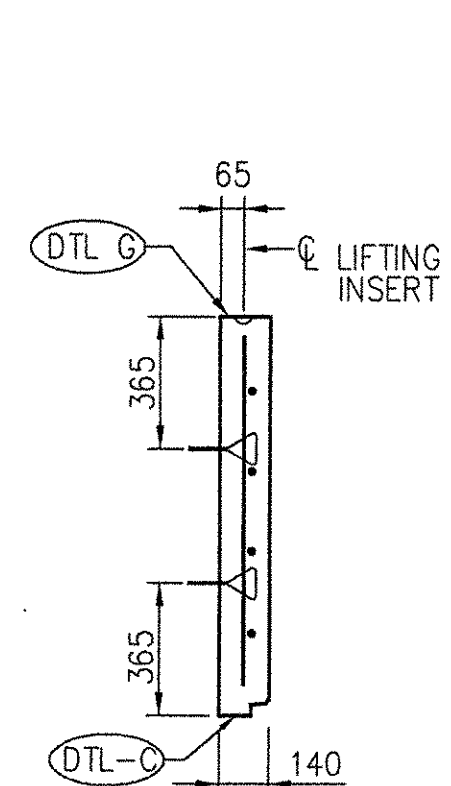
SECTION A-A
SCALE 1:20



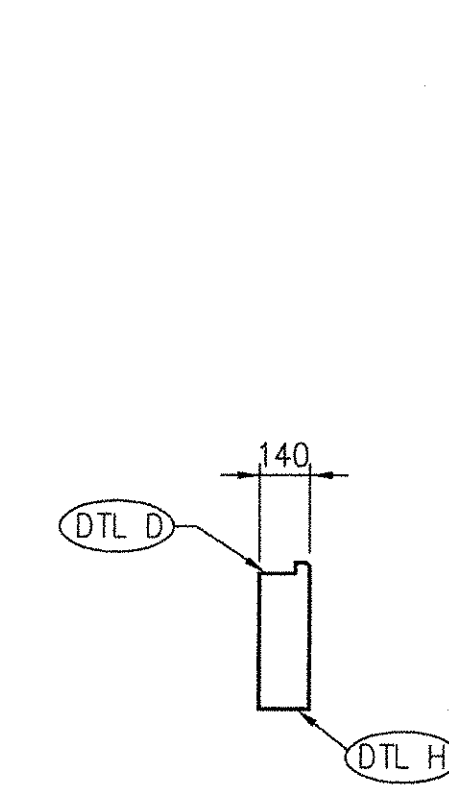
SECTION B-B
SCALE 1:20



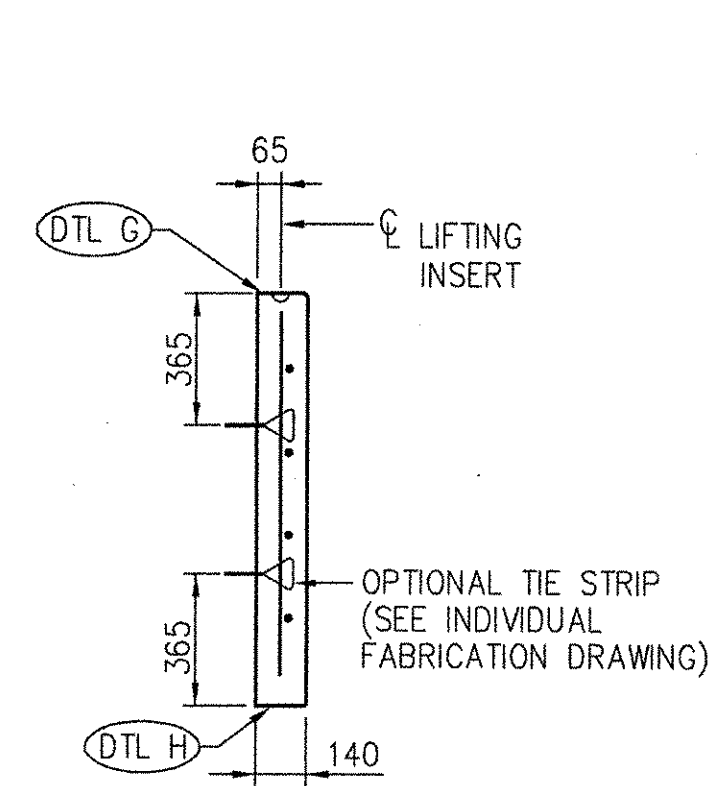
SECTION C-C
SCALE 1:20



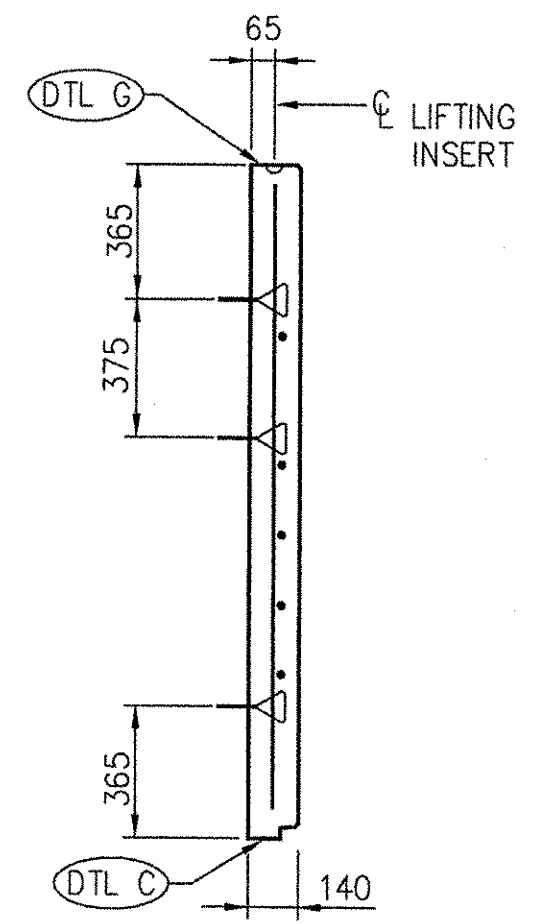
SECTION D-D
SCALE 1:20



SECTION E-E
SCALE 1:20



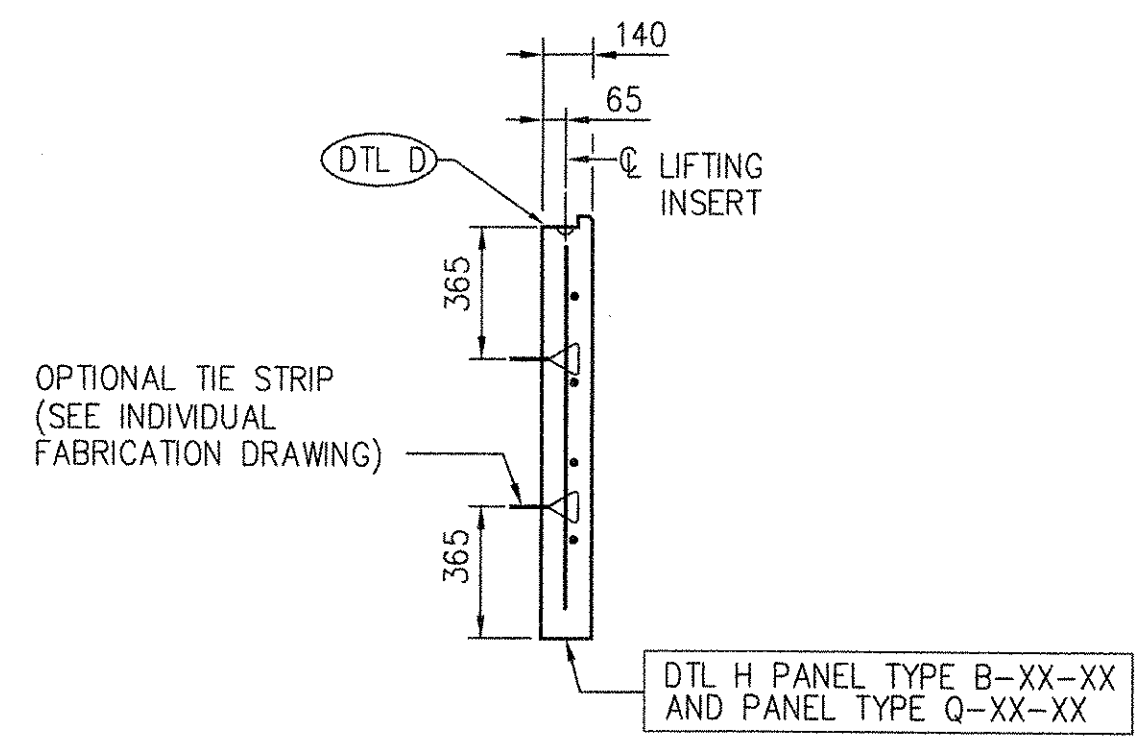
SECTION F-F
SCALE 1:20



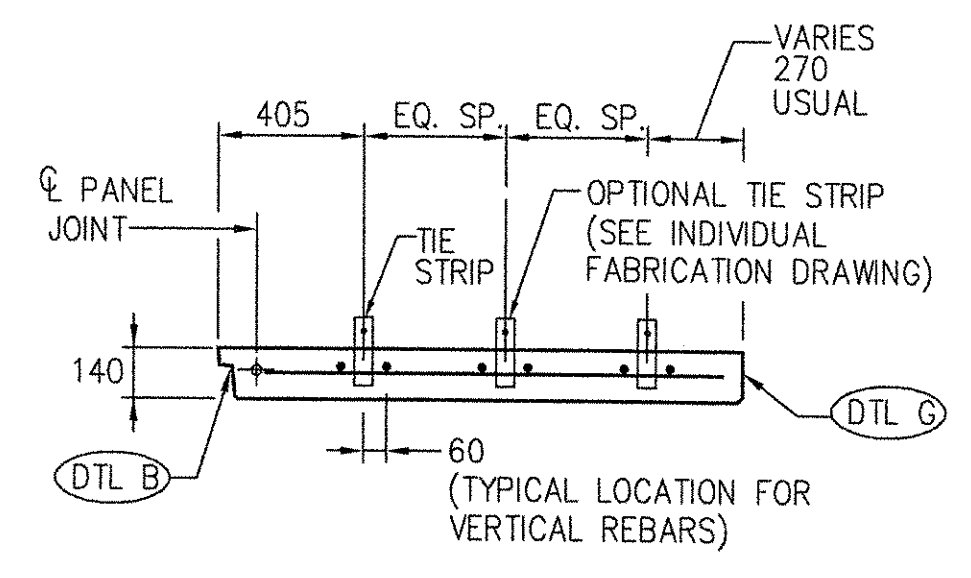
SECTION G-G
SCALE 1:20

SECTION H-H
SCALE 1:20

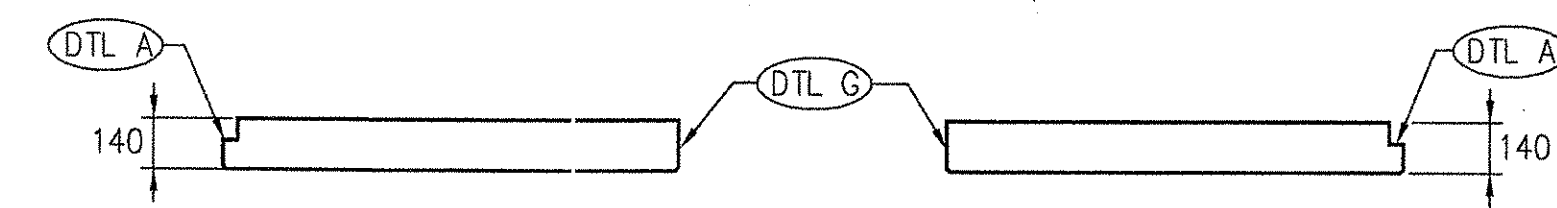
SECTION J-J
SCALE 1:20



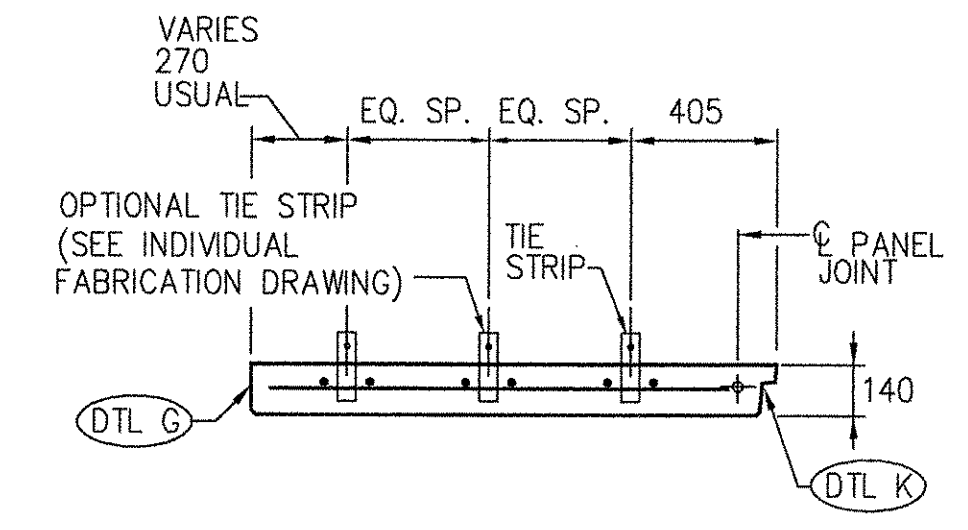
SECTION K-K
SCALE 1:20



SECTION L-L
SCALE 1:20



SECTION M-M
SCALE 1:20



SECTION P-P
SCALE 1:20

SECTION R-R
SCALE 1:20

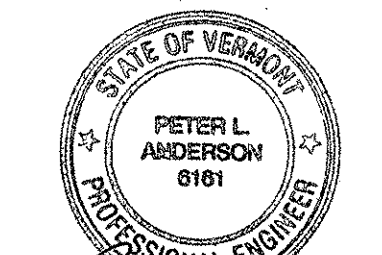
NOTES:
ASHLAR STONE FINISH
NOT SHOWN FOR CLARITY

SEE INDIVIDUAL FABRICATION DRAWING
FOR PLACEMENT OF REBARS.

ALL DIMENSIONS ARE IN MILLIMETERS
UNLESS OTHERWISE NOTED

RECEIVED
OK'D BY: KMH OK'D BY: M.G.
JUL 28 2005
RESUBMIT: _____ APPROVED: _____
BY: CPW DATE: 8/3/05

CERTIFIED WITH
RESPECT TO THE
INTERNAL STABILITY
OF REINFORCED EARTH
STRUCTURES ONLY



Peter L. Andersch
7/23/05

VT AOT PROJ. NO. BRF 0241 (33) C/2

This drawing contains information proprietary to The Reinforced Earth Company, and is being furnished for the use of VT AOT only in connection with this project, and the information contained herein is not to be transmitted to any other organization unless specifically authorized in writing by The Reinforced Earth Company. The Reinforced Earth Company is exclusive licensee in the United States under patents issued to Henri Vidal, and the furnishing of this drawing does not constitute an expressed or implied license under the Vidal patents.

The design contained on these drawings is based on information provided by the owner. On the basis of this information, The Reinforced Earth Company has designed, and is responsible for the internal stability of the structure only. External stability, including foundation and slope stability, is the responsibility of the owner.

The Reinforced Earth Company
8614 Westwood Center Drive Suite 1100, Vienna, Virginia 22182 (703) 821-1175

"REINFORCED EARTH" is the registered trademark of The Reinforced Earth Company.

DESIGNED BY:	JMKC
PROJECT ENGR:	JMKC
CHECKED BY:	KPB
ENG. MANAGER	
REV.	DATE
DESCRIPTION	

PROJECT NAME	BRIDGE IMPROVEMENT VT 12 OVER NEW ENGLAND CENTRAL RAILROAD
LOCATION	BETHEL VERMONT
OWNER	VT AOT
DRAWING COVERS	STANDARD SHOP SECTIONS

DATE	7/21/2005
CONTRACT NO.	11843
DRAWING NO.	S2 OF S8
SCALE	AS SHOWN

C:\SHARED\11843\SHOPS\11843_S02.DWG