

The Reinforced Earth Company

133 PARK STREET, NORTH READING, MASSACHUSETTS 01864 (978) 664-2830

PRECAST PANEL SHOP DRAWINGS

PANEL GENERAL NOTES

- REINFORCING BARS SHALL BE STEEL ASTM A615 GRADE 60. (AASHTO M31) AND BE EPOXY COATED DEFORMED BAR.
- TIE STRIPS SHALL BE STEEL ASTM A1011 (FORMERLY A570) GRADE 50 (GALVANIZED PER ASTM A-123/ AASHTO M-111).
- ALL FRONT EDGES OF PANELS, EXCEPT THE BOTTOM EDGE OF THE BOTTOM PANEL COURSE, SHALL HAVE A 10mm CHAMFER.
- TIE STRIPS SHALL BE PLACED WITHIN 25mm OF THE DIMENSIONS SHOWN ON THE FABRICATION DRAWINGS.
- PANEL DESIGN THICKNESS IS 140mm. THE 28 DAY COMPRESSIVE STRENGTH OF CONCRETE SHALL BE 27.6 MPa (4000 psi) AND BE IN ACCORDANCE WITH THE SPECIAL PROVISIONS FOR ITEM 526A - MECHANICALLY STABILIZED EARTH WALL.
- DIMENSIONS SPECIFIED ON INDIVIDUAL FABRICATION DRAWINGS SUPERCEDE THOSE CALLED OUT ON THE STANDARD SECTIONS AND DETAILS.
- VERTICAL REINFORCING BARS SHALL BE PLACED 38mm MIN. - 50mm (TYP.) CLEAR FROM THE BACK FACE OF THE 140mm PANEL.
- ALL REINFORCING BARS SHALL BE STOPPED 50mm MIN. CLEAR FROM ANY EDGE OF PANEL UNLESS NOTED ON INDIVIDUAL FABRICATION DRAWING OR AS INDICATED IN NOTE #9.
- IN ALL SLOPED PANELS THE TWO (2) VERTICAL REINFORCING BARS ADJACENT TO A COMMON TIE STRIP SHALL BE OF THE SAME LENGTH.
- ALL INDIVIDUAL FABRICATION DRAWINGS ARE SHOWN BACK FACE.
- PRECAST FACING PANELS FOR R.E WALLS SHALL HAVE AN ASHLAR STONE FORM LINER FINISH.
CORNER ELEMENTS AND SLIP JOINT COVERS SHALL HAVE A PLAIN STEEL FORM FINISH FOR ALL WALLS ON THIS PROJECT. CONCRETE SHALL BE PLAIN GRAY IN COLOR. FIELD APPLIED STAIN (AFTER PANEL INSTALLATION) BY CONTRACTOR.

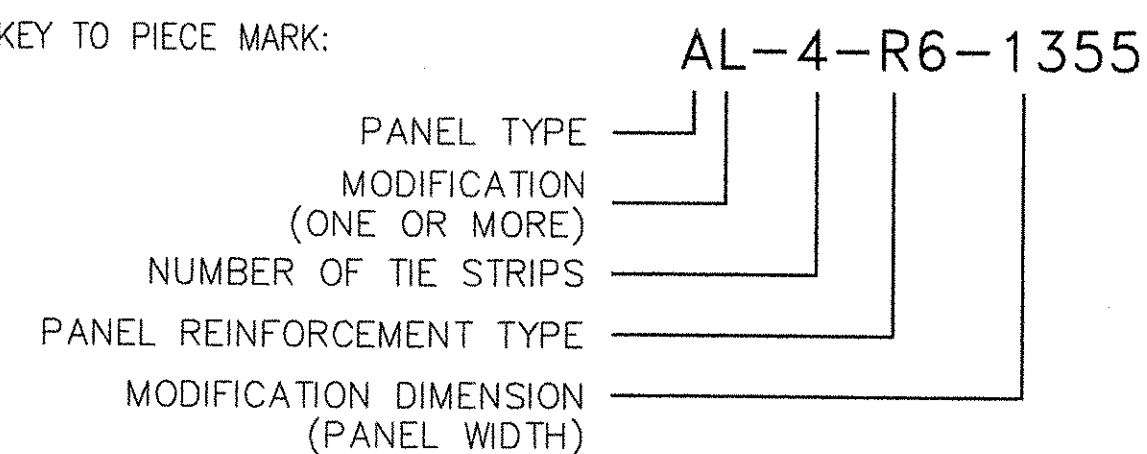
12. REINFORCING BARS IN A STANDARD "A" PANEL SHALL BE AS FOLLOWS:

PANEL REINFORCEMENT

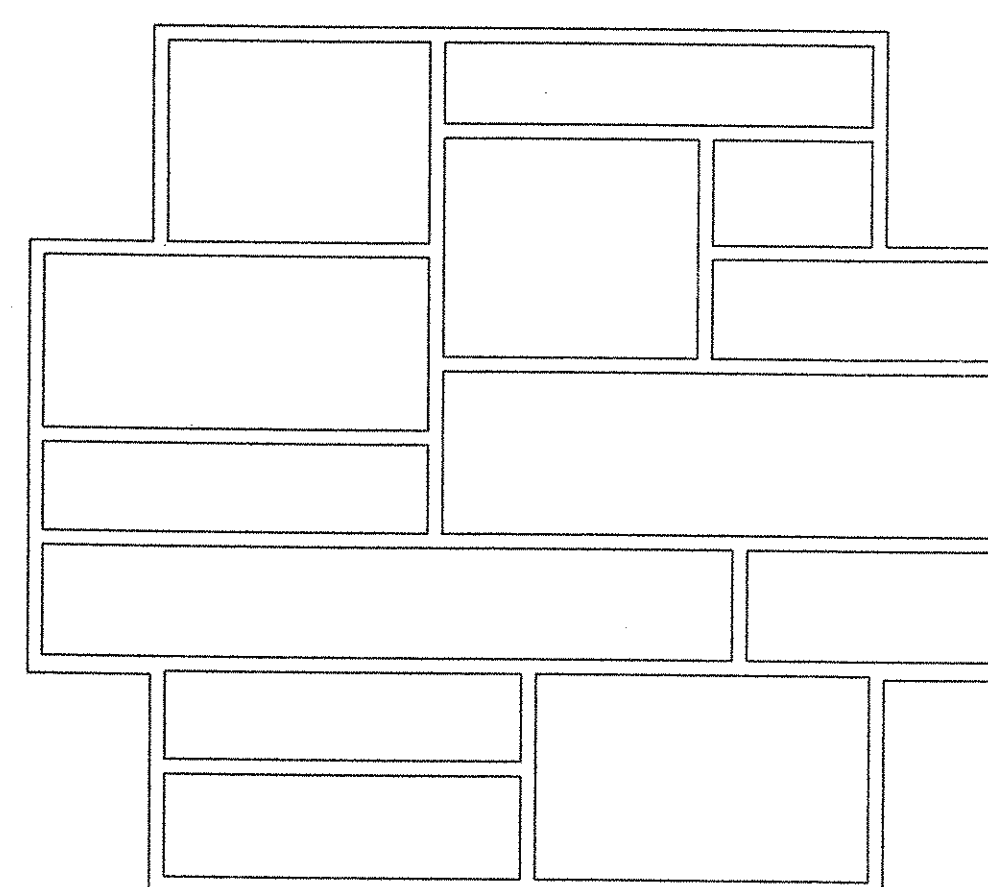
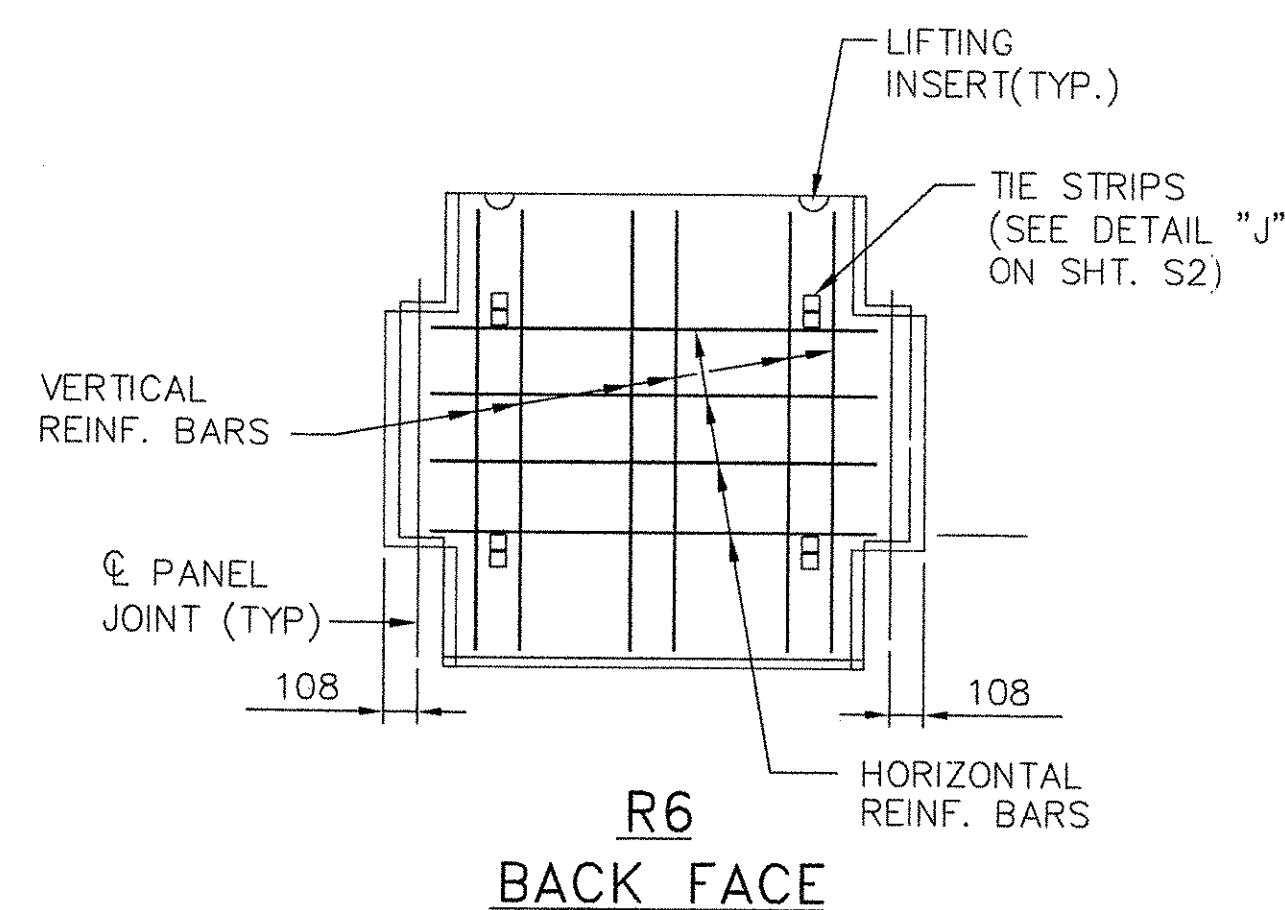
PIECE MARK	HORIZONTAL BARS	VERTICAL BARS
XX-XX-R6	4- 13M (#4)	6-10M (#3)

HORIZONTAL REINFORCEMENT IN THE OTHER PANEL TYPES IS PROPORTIONAL TO THEIR RELATIVE HEIGHT.

13. KEY TO PIECE MARK:

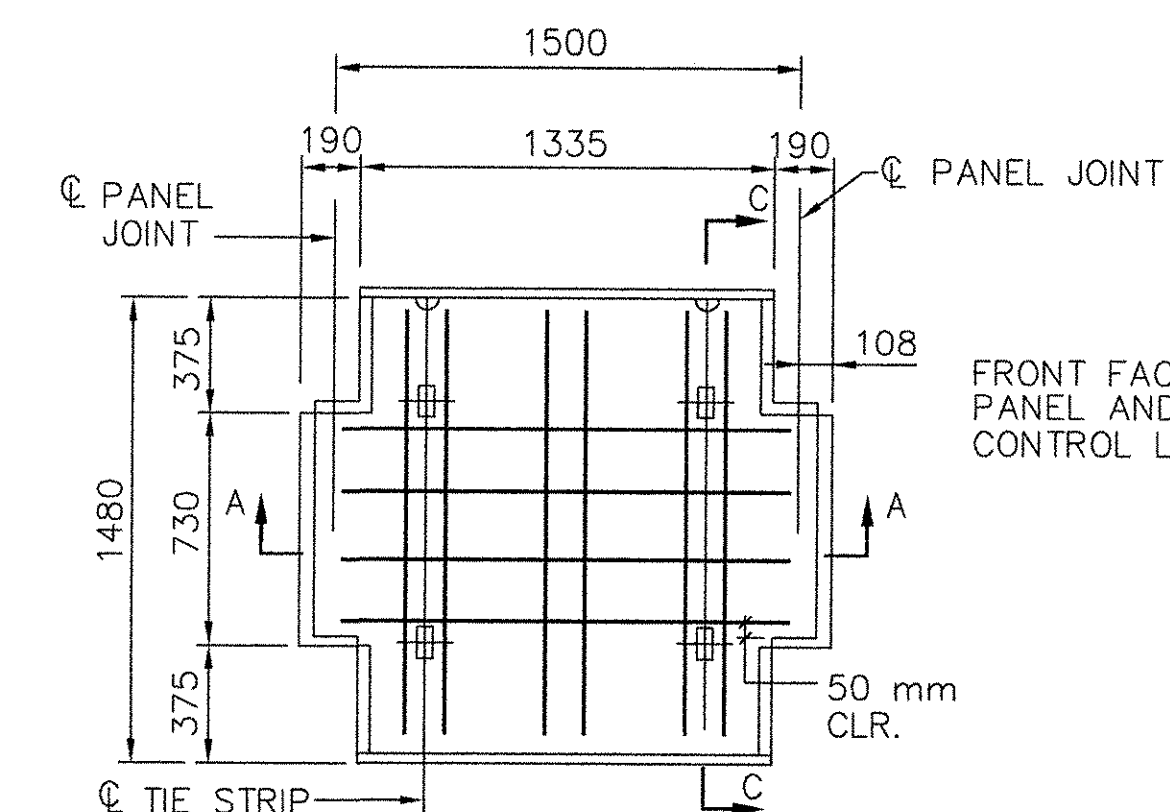


14. KEY TO PANELS:

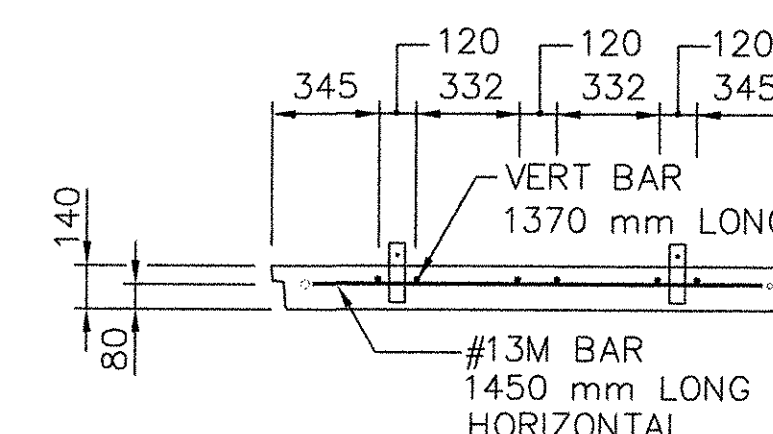


ASHLAR STONE PANEL FINISH

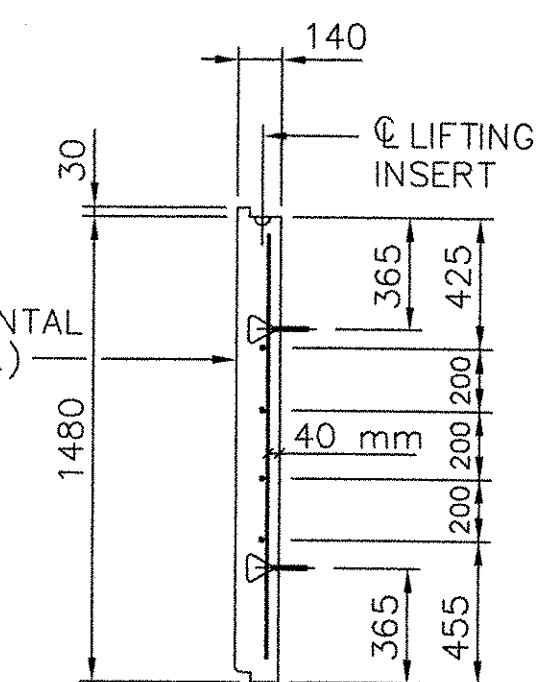
(LOOKING AT PANEL FACE)



PANEL TYPE "A"
WITH R6 REINFORCEMENT
BACK FACE VIEW
SCALE 1:20



SECTION A-A
SCALE 1:20

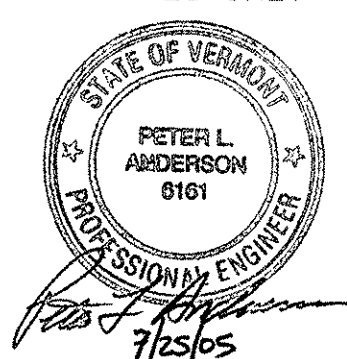


SECTION C-C
SCALE 1:20

ALL DIMENSIONS ARE IN (mm) MILLIMETERS

RECEIVED
OK'D BY: *KPH* OK'D BY: *M.G.*
JUL 28 2005
RESUBMIT: _____ APPROVED:
BY: *CPW* DATE: *8/31/05*

CERTIFIED WITH RESPECT TO THE INTERNAL STABILITY OF REINFORCED EARTH STRUCTURES ONLY



VT AOT PROJ. NO. BRF 0241 (33) C/2

C:\SHAREDT\1843\SHOP\11843 S01.DWG

This drawing contains information proprietary to The Reinforced Earth Company, and is being furnished for the use of VT AOT only in connection with this project, and the information contained herein is not to be transmitted to any other organization unless specifically authorized in writing by The Reinforced Earth Company. The Reinforced Earth Company is exclusive licensee in the United States under patents issued to Henri Vidal, and the furnishing of this drawing does not constitute an expressed or implied license under the Vidal patents.

The design contained on these drawings is based on information provided by the owner. On the basis of this information, The Reinforced Earth Company has designed, and is responsible for the internal stability of the structure only. External stability, including foundation and slope stability, is the responsibility of the owner.



"REINFORCED EARTH" is the registered trademark of The Reinforced Earth Company.

DESIGNED BY: JMCK		PROJECT NAME BRIDGE IMPROVEMENT VT 12 OVER NEW ENGLAND CENTRAL RAILROAD	DATE 7/21/2005
PROJECT ENGR: JMCK		LOCATION BETHEL VERMONT	CONTRACT NO. 11843
CHECKED BY: KPB		OWNER VT AOT	DRAWING NO. S1 OF S8
ENG. MANAGER	REV. DATE	DESCRIPTION	SCALE AS SHOWN
		DRAWING COVERS GENERAL NOTES	SCALE 157 R2W