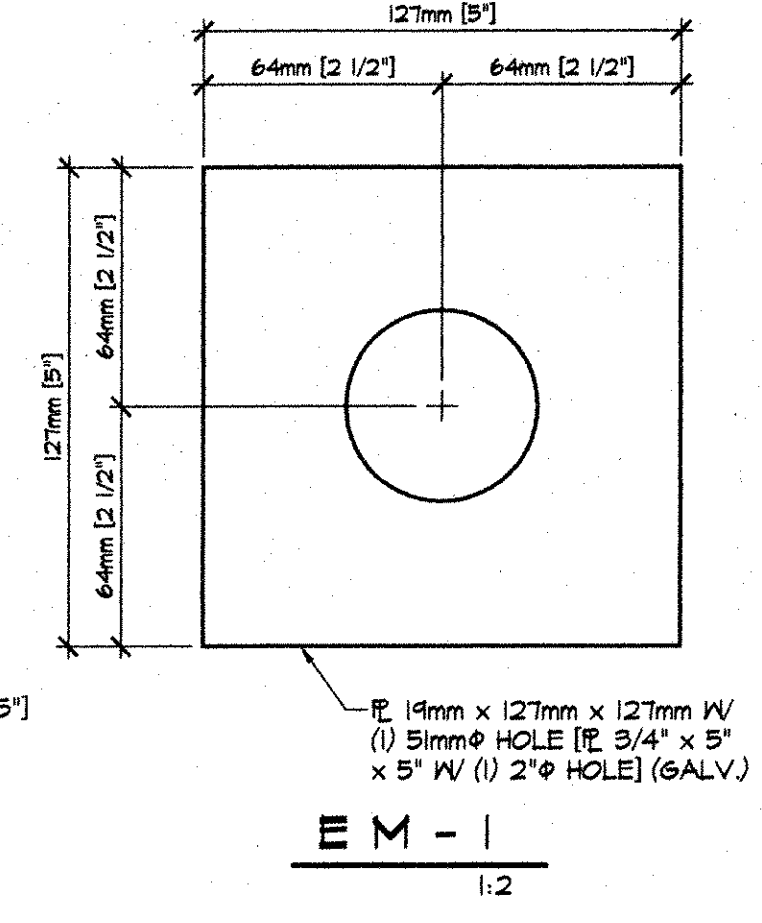
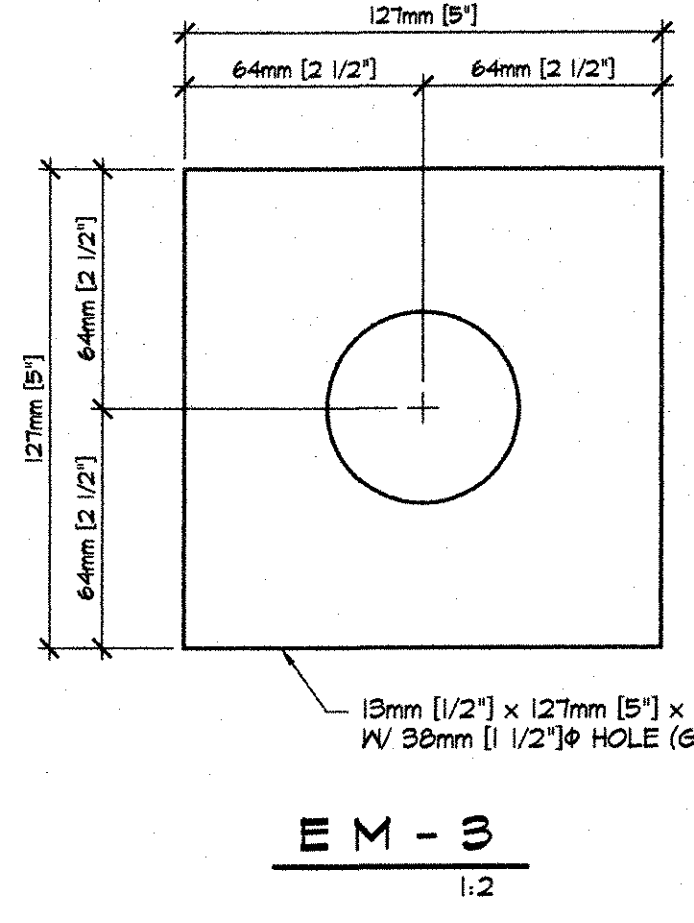
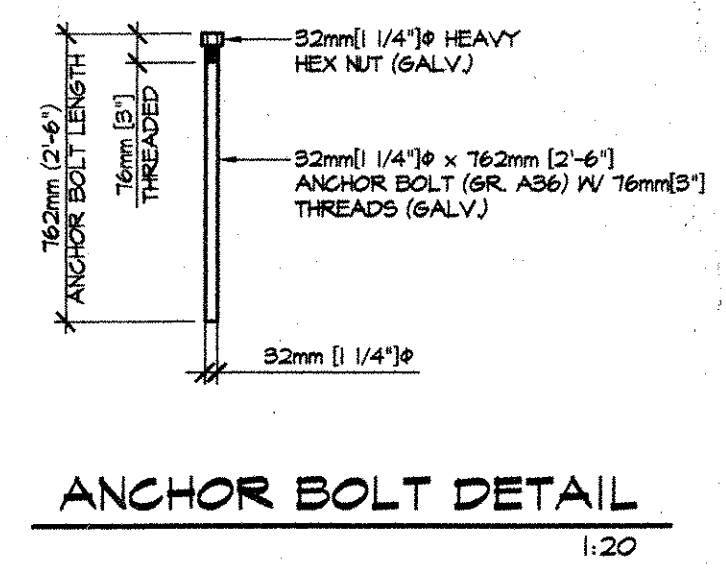
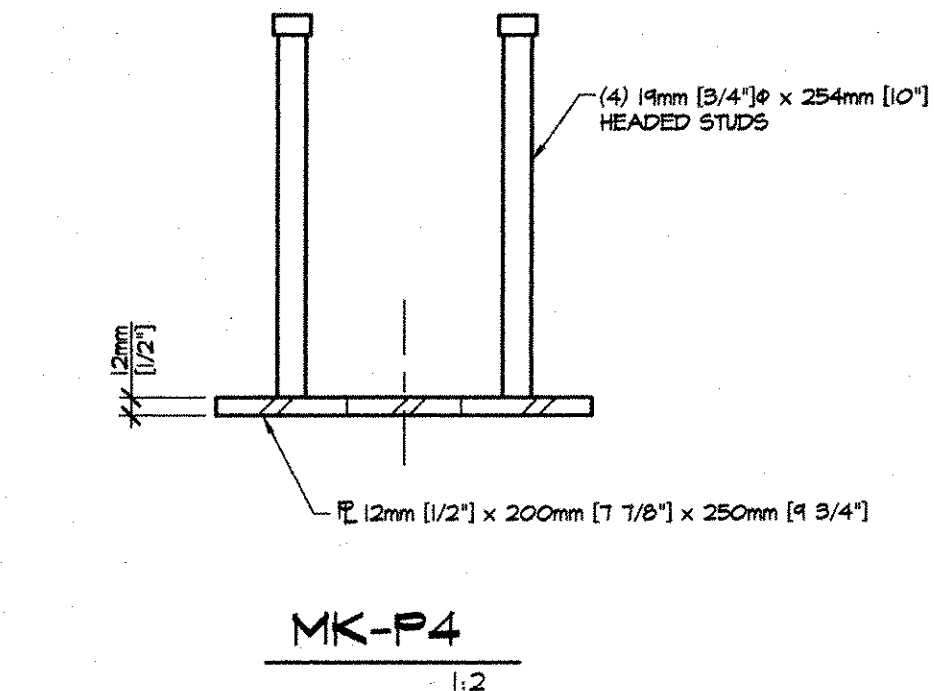
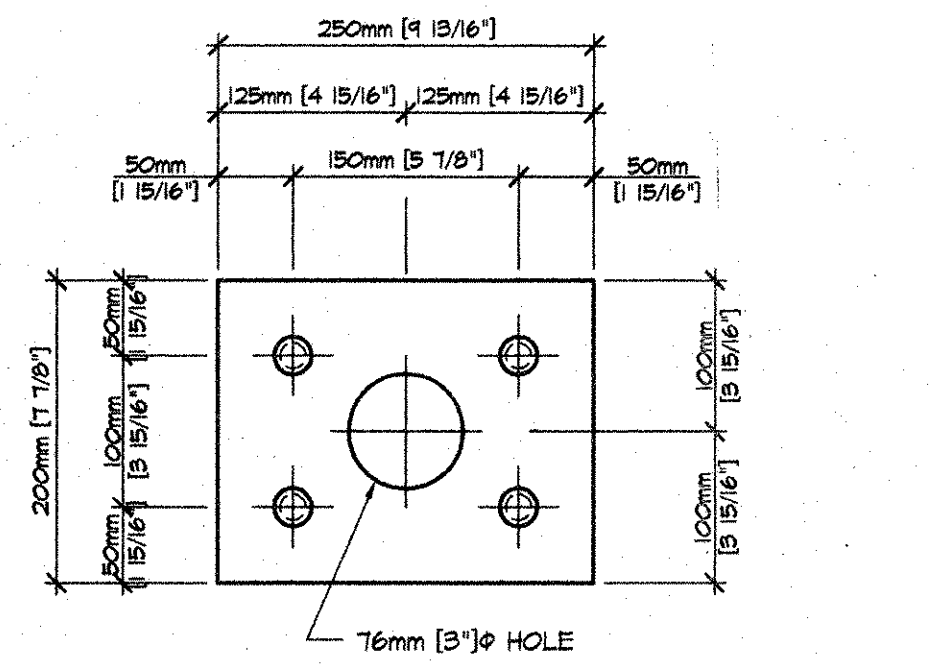
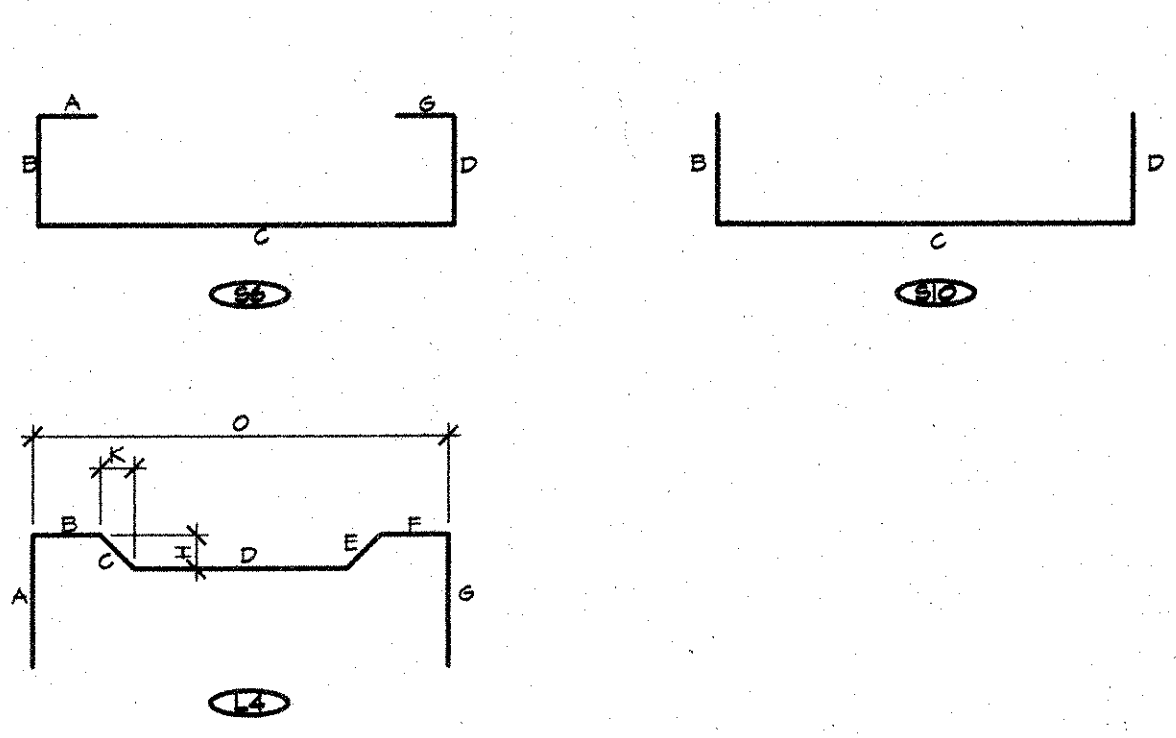


BENT BARS, TIES, & STIRRUPS																		
ITEM	MARK	QTY.	SIZE	LENGTH	TYPE	A	B	C	D	E	F/R	G	H	J	K	O	GRADE	REMARKS
1	1B01E	247	#13 [#4]	1870mm [6'-1 5/8"]	S6	152mm [6"]	281mm [11"]	1105mm [3'-7 1/2"]	281mm [11"]			152mm [6"]					420 [60]	EPOXY COATED
2	1B02E	247	#13 [#4]	1616mm [5'-3 5/8"]	S10		281mm [11"]	1105mm [3'-7 1/2"]	281mm [11"]			152mm [6"]					420 [60]	EPOXY COATED
3	1B03E	225	#13 [#4]	1787mm [5'-10 3/8"]	L4	355mm [1'-2"]	180mm [7 1/16"]	127mm [5"]	565mm [1'-10 1/4"]	127mm [5"]	180mm [7 1/16"]	355mm [1'-2"]	90mm [3 9/16"]	90mm [3 9/16"]	1105mm [3'-7 1/2"]		420 [60]	EPOXY COATED
4	1B04E	288	#13 [#4]	1143mm [3'-4"]	S10		457mm [1'-6"]	281mm [11"]	457mm [1'-6"]								420 [60]	EPOXY COATED
5																		
6																		
7																		
8	2501E	28	#25 [#8]	1105mm [3'-4"]	STR.												420 [60]	EPOXY COATED
9																		
10																		
11																		
12																		
13																		
14																		
15																		

MISCELLANEOUS MATERIAL				
ITEM	MARK	QTY.	DESCRIPTION	REMARKS
1	MKP3	20	DAYTON C24 TYPE 4-APR PRECAST HALF HANGER	FOR ERECTION (SEE DETAIL, THIS SHEET)
2	MKP4	4	12mm [1/2"] x 200mm [7'-8"] x 250mm [9 13/16"] W/ ANCHORS	FOR ERECTION (SEE DETAIL, THIS SHEET)
3		54	203mm [8"] x 4874mm [15'-11 7/8"] LONG VOID	
4		108	19mm [3/4"] x 120mm [4"] NON-FERROUS VOID DRAINS	
5		36	DOUBLE 13mm [1/2"] STRAND LIFTING LOOPS	
6	EM-1	6	19mm [3/4"] x 127mm [5"] x 127mm [5"] W/ (1) 31mm [2"] HOLE (GALV.)	FOR ERECTION (SEE DETAIL, THIS SHEET)
7		3	13mm [1/2"] x 11887mm [39'-6"] POLYSTRAND	
8		6	SINGLE USE STRESSING CHUCK	
9	EM-3	18	13mm [1/2"] x 127mm [5"] x 127mm [5"] W/ (1) 30mm [1 1/2"] HOLE (GALV.)	FOR ERECTION (SEE DETAIL, THIS SHEET)
10		36	MWF 102 x 102 - MK26 x MK26 (MWF 4 x 4 - M4 x M4) / 305mm x 1105mm [1'-0" x 3'-7 1/2"]	
11				
12		18	THREADED ROD 32mm [1 1/4"] x 162mm [2'-6"] (HOT DIPPED GALV.) (A36)	FOR ERECTION (SEE DETAIL, THIS SHEET)
13		18	32mm [1 1/4"] NUT (GALV.)	FOR ERECTION (SEE DETAIL, THIS SHEET)
14		18	STANDARD WASHER (GALV.)	FOR ERECTION (SEE DETAIL, THIS SHEET)
15				
16				
17				
18				
19				
20				
21				
22				
23				
24				
25				
26				
27				
28				
29				
30				



REV: 4-1-05 GEN. REV. PER ENGR. COMM. T.J.D.

APPROVAL STAMP:

RECEIVED
 GARY KAY, OWNER, M.G.
 SEP 23 2005
 PREPARED BY: GPW DATE: 11/14/05

J.P. CARRARA & SONS INC.
 Precast & Prestress Manufacturer
 244 CASE ST., WOODBURY, VERMONT 05753 Phone: (802)388-6361 Fax: (802)388-9010

KUBRICKY CONST. CORP.
 CONTRACTOR
 GLENS FALLS, N.Y.

STATE OF VERMONT A.O.T.
 COUNTY OF WINDSOR

TOWN OF BETHEL
 ROUTE VT. OVER NEW ENGLAND CENTRAL RAILROAD

MATERIALS LIST

DATE: JULY 29, 2005
 SCALE: NOTED
 CHKD: - DFTM: T.J.D.
 JOB NO: 23224-05
 DWG. NO: M1
 1/51 PC