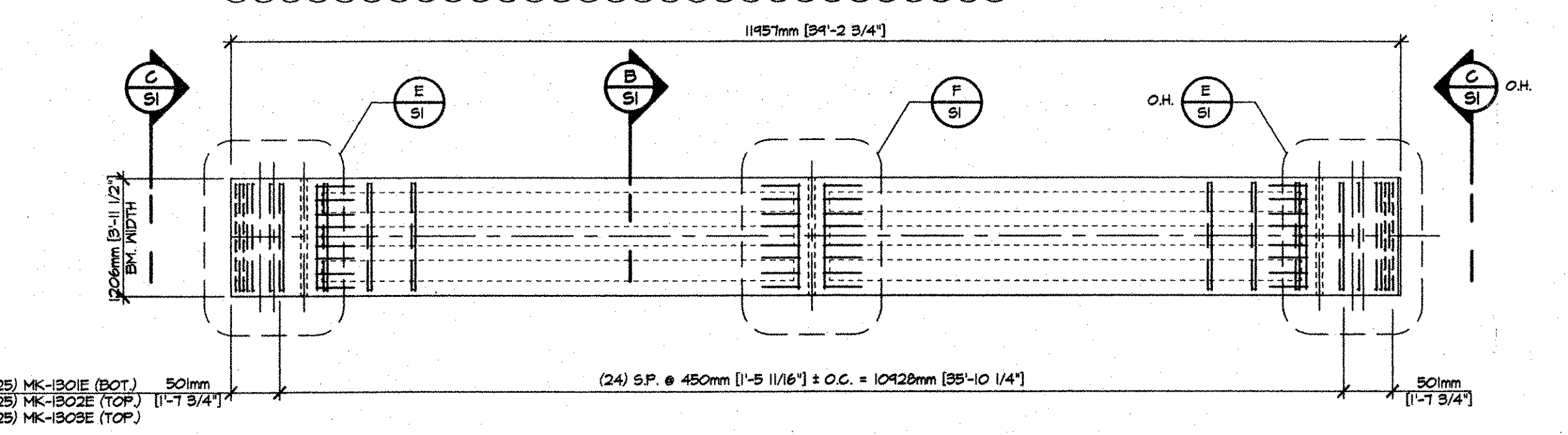
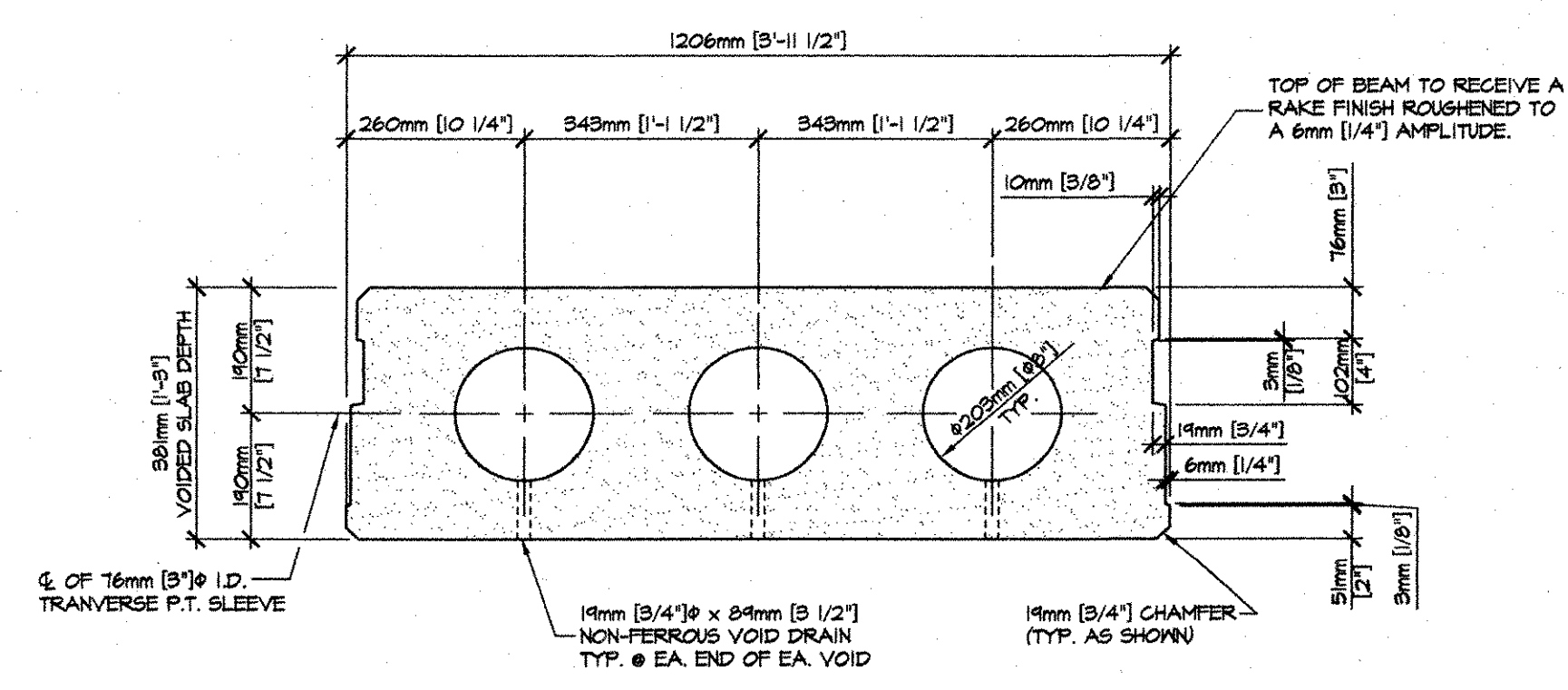


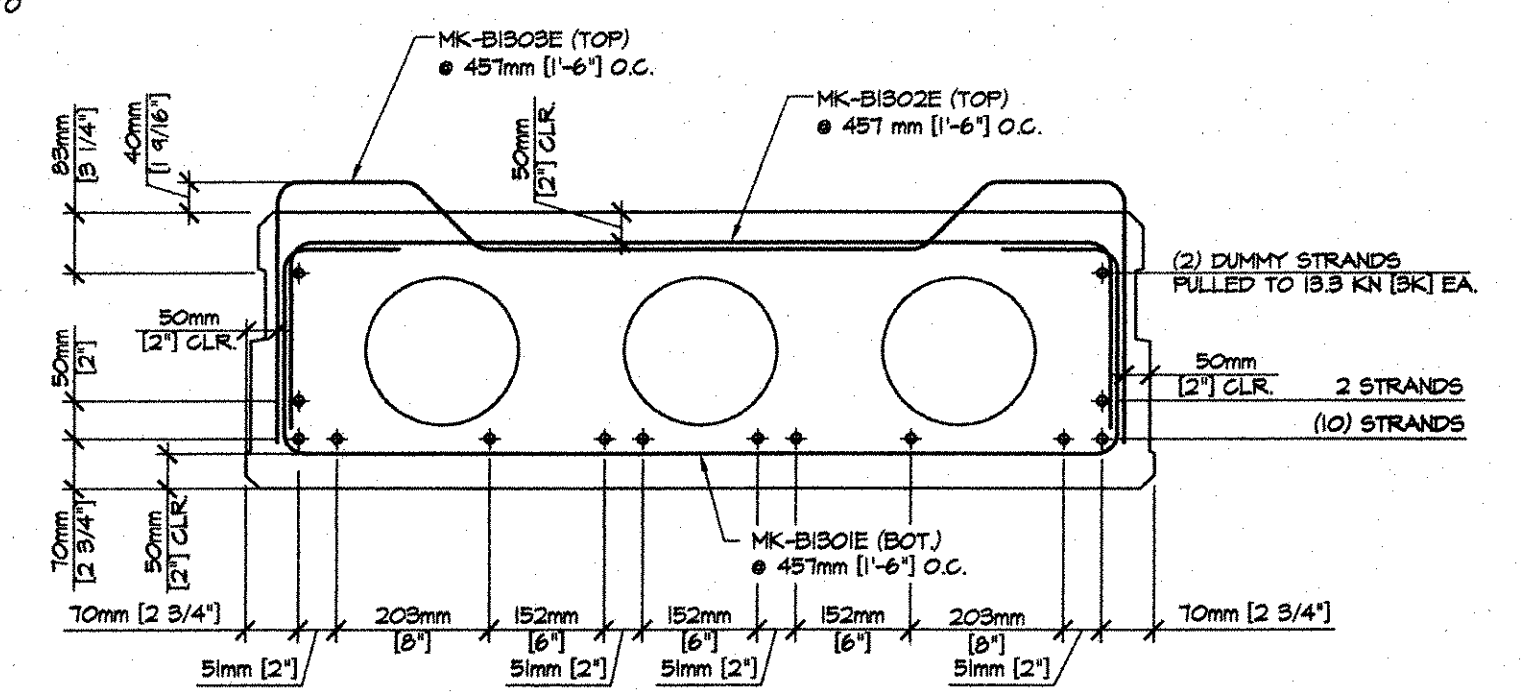
**1 DIMENSIONAL PLAN VIEW IN FORM**  
S1  
1:50



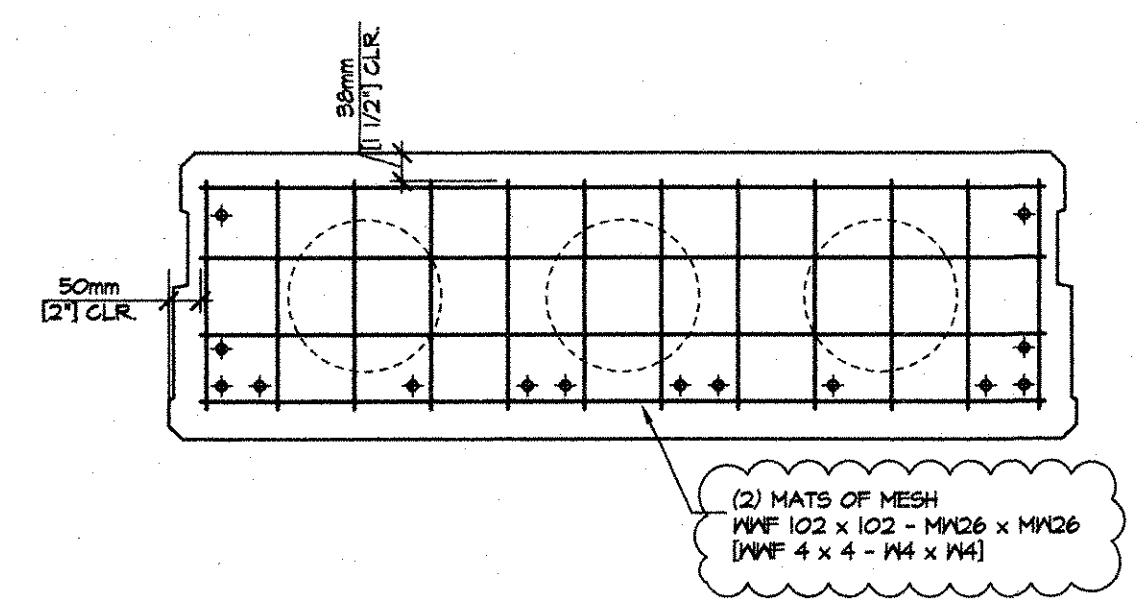
**2 REINFORCING PLAN VIEW IN FORM**  
S1  
1:50



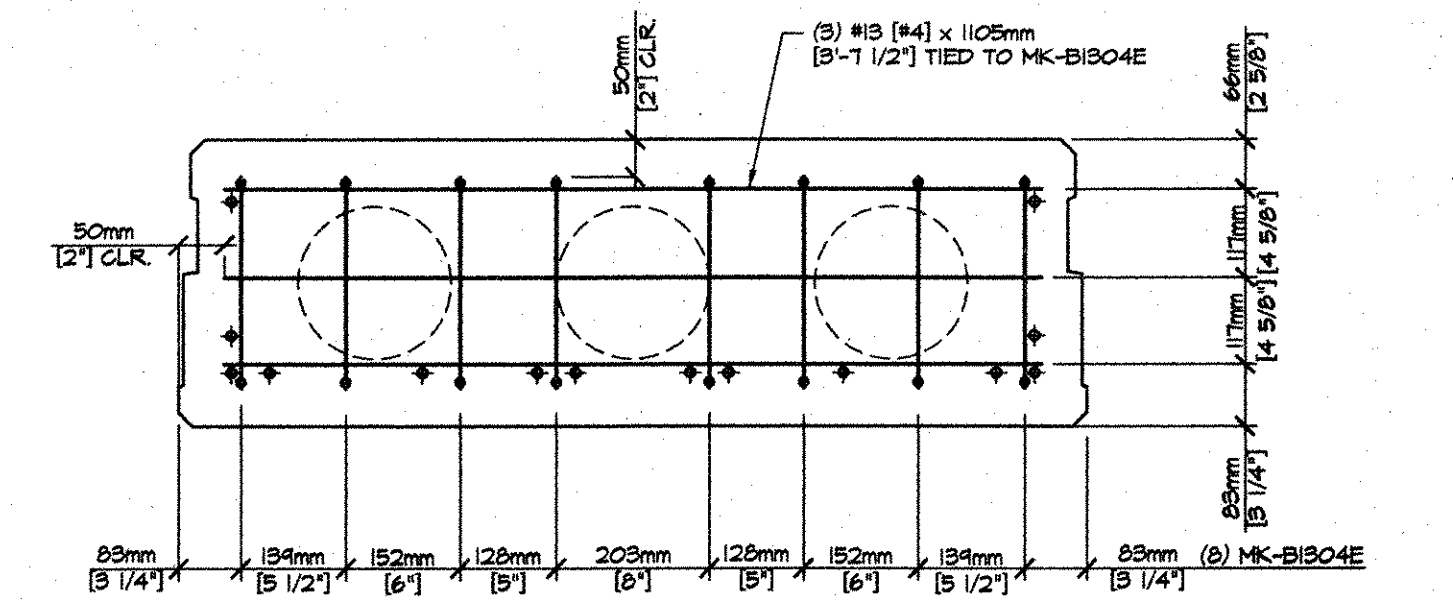
**A DIMENSIONAL SECTION**  
S1  
1:10



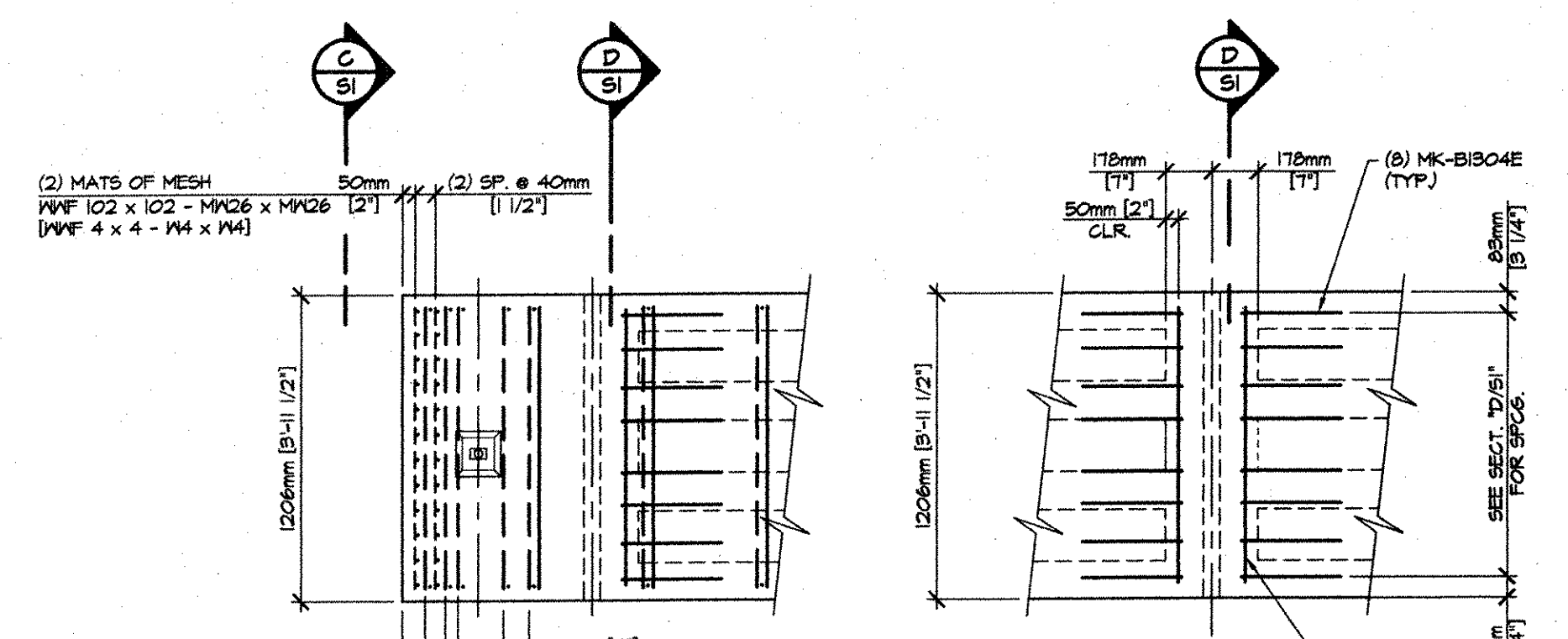
**B REINFORCING SECTION**  
S1  
1:10



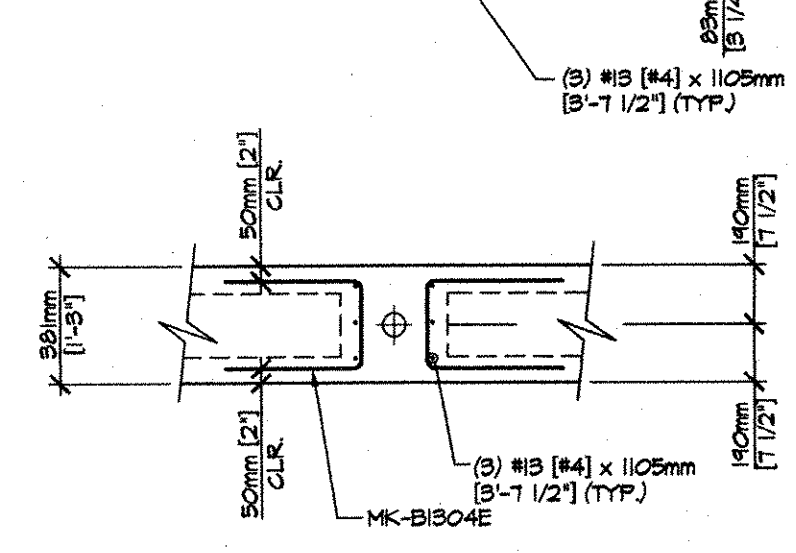
**C END BLOCK REINF. SECTION**  
S1  
1:10



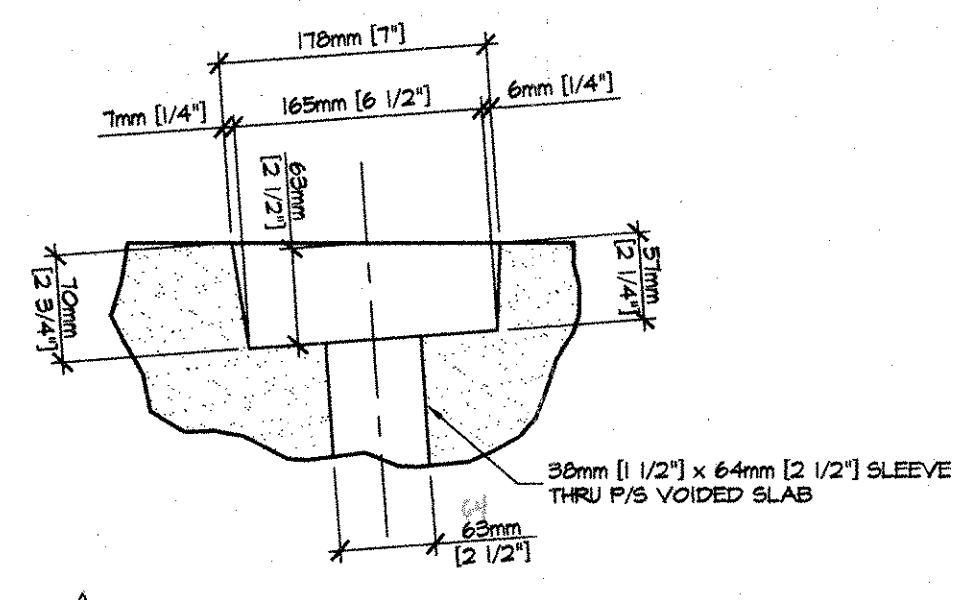
**D DIAPHRAGM REINF.**  
S1  
1:10



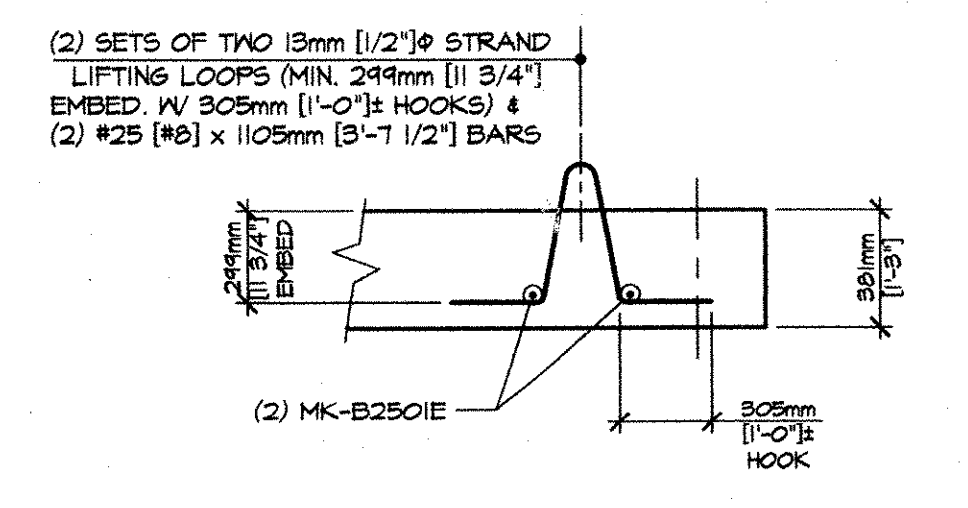
**E END BLOCK REINF. PLAN**  
S1  
1:25



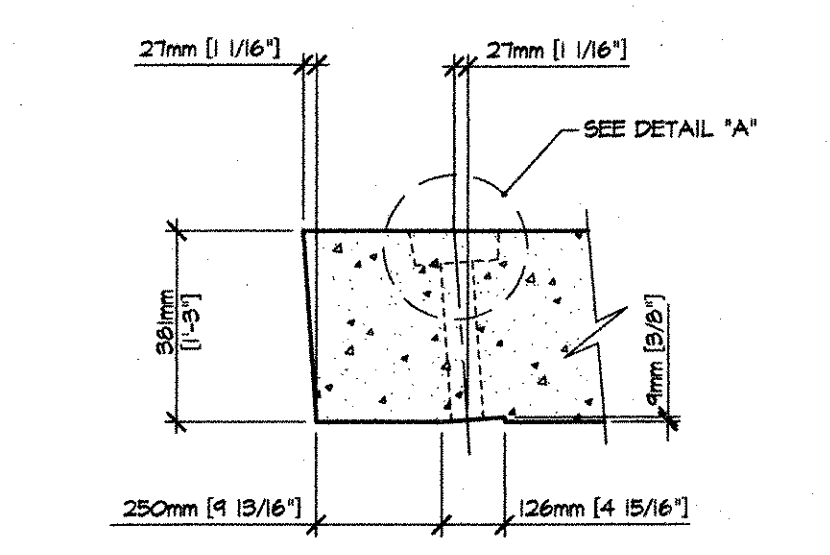
**F DIAPHRAGM REINF.**  
S1  
1:25



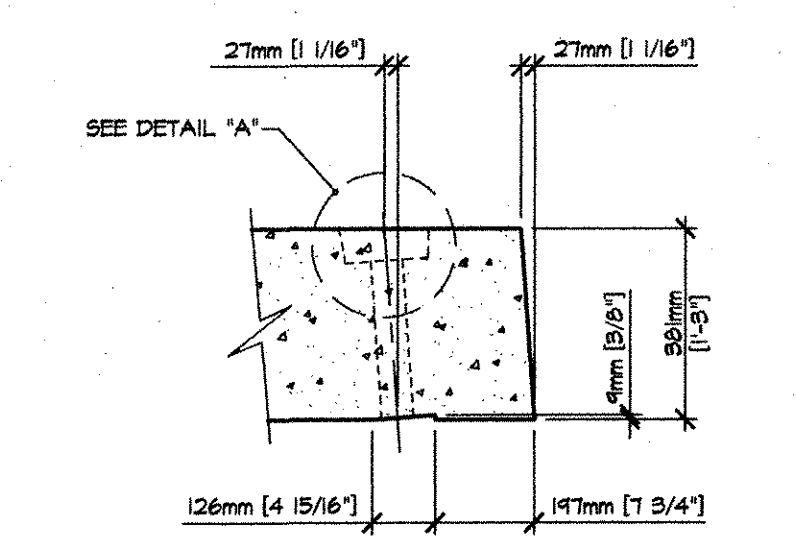
**DETAIL - "A"**  
1:5



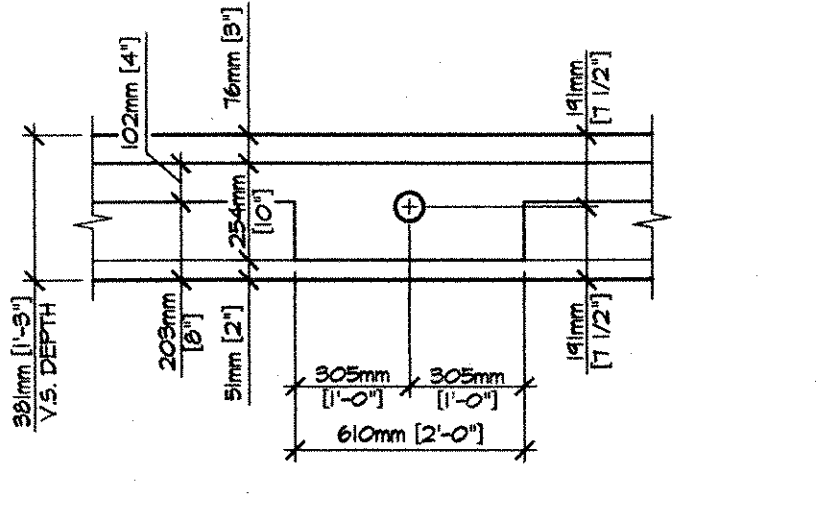
**DETAIL - "E"**  
1:25



**G END SECTION**  
S1  
1:15



**H END SECTION**  
S1  
1:15



**DETAIL - "B"**  
1:20

**DETENSIONING SCHEDULE**

REV. 1 4-1-05 GEN. REV. PER ENGR. COMM. T.D. N.T.S.

1	2	3	4	5	6	7	8	9	10	11	12
---	---	---	---	---	---	---	---	---	----	----	----

MARK: MR-1	QTY: 7	WT.: 10,868 kg [10.14 T]	VOL.: 4.52 m <sup>3</sup> [5.91 cu]
MARK:	QTY:	WT.:	VOL.:
MATERIAL LIST / VOIDED SLAB			
ITEM	MARK	DESCRIPTION	QTY./SLAB
1	B301E	#3[4] BENT BAR (EPOXY COATED)	58
2	B302E	#3[4] BENT BAR (EPOXY COATED)	58
3	B303E	#3[4] BENT BAR (EPOXY COATED)	25
4	B304E	#3[4] BENT BAR (EPOXY COATED)	52
5		#3[4] x 1105mm [3'-1 1/2"]	12
6		WVF 102 x 102 - MND6 x MND6 [WVF 4 x 4 - M4 x M4]	4
7			
8	MKP4	E 12mm [1/2"] x 200mm [7/8"] x 250mm [1 1/8"] W ANCHORS	1
9		203mm [8"] x 4814mm [15'-11 7/8"] LONG VOID	6
10		19mm [3/4"] x 120mm [4"] NON-FERROUS VOID DRAIN	12
11		DOUBLE 13mm [1/2"] STRAND LIFTING LOOPS	4
12	Z501E	#25[8] x 1105mm [3'-1 1/2"]	4

APPROVAL STAMP:

RECEIVED  
GARY KIM... M.O.  
SEP 28 2005  
REQUIREMENT APPROVED As Noted  
BY CPW DATE 11/14/05

**J.P. CARRARA & SONS INC.**  
Precast & Prestress Manufacturer  
244 USE STR., WOODBURY, VERMONT 05733 Phone: (802)388-0361 Fax: (802)388-8010

**KUBRICKY CONST. CORP.**  
CONTRACTOR  
GLENS FALLS, N.Y.

STATE OF VERMONT A.O.T.  
COUNTY OF WINDSOR

TOWN OF BETHEL  
ROUTE VT. OVER NEW ENGLAND CENTRAL RAILROAD

DATE: JULY 29, 2005  
SCALE: NOTED  
CHKD: - DFTM: T.J.D.  
JOB NO: 23224-05

**P/S VOIDED SLAB DETAILS**  
DWG. NO: S1  
148 PC