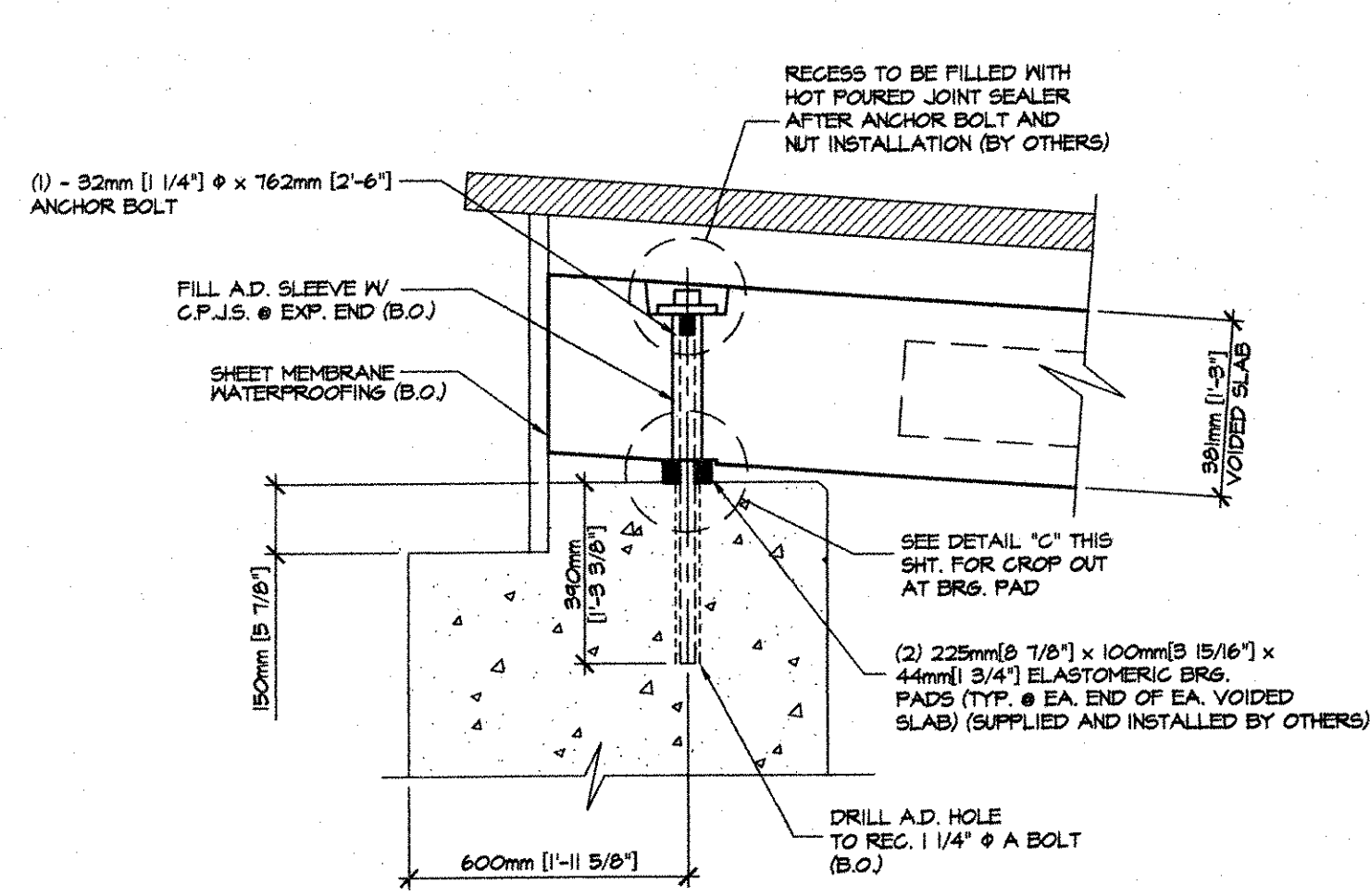
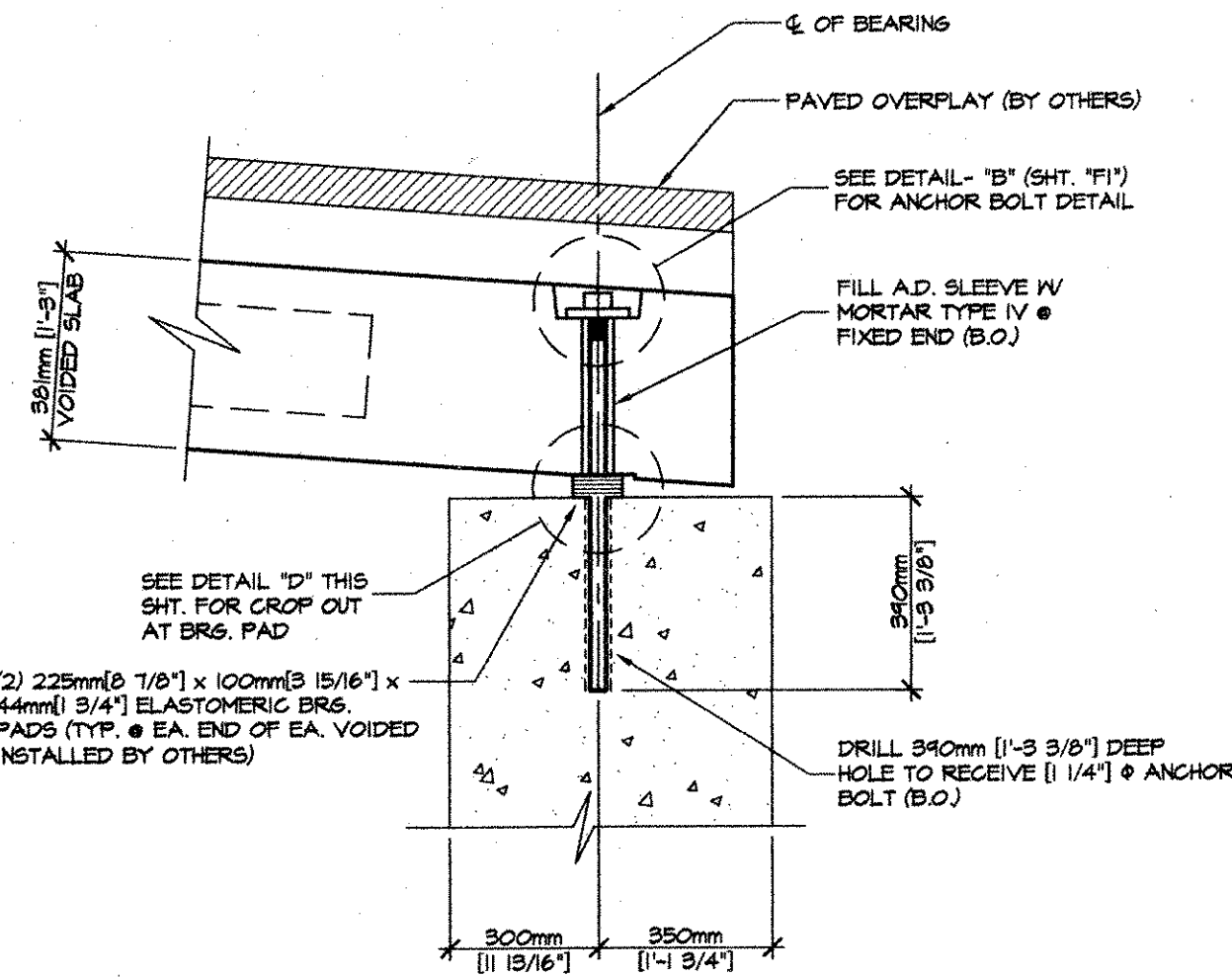


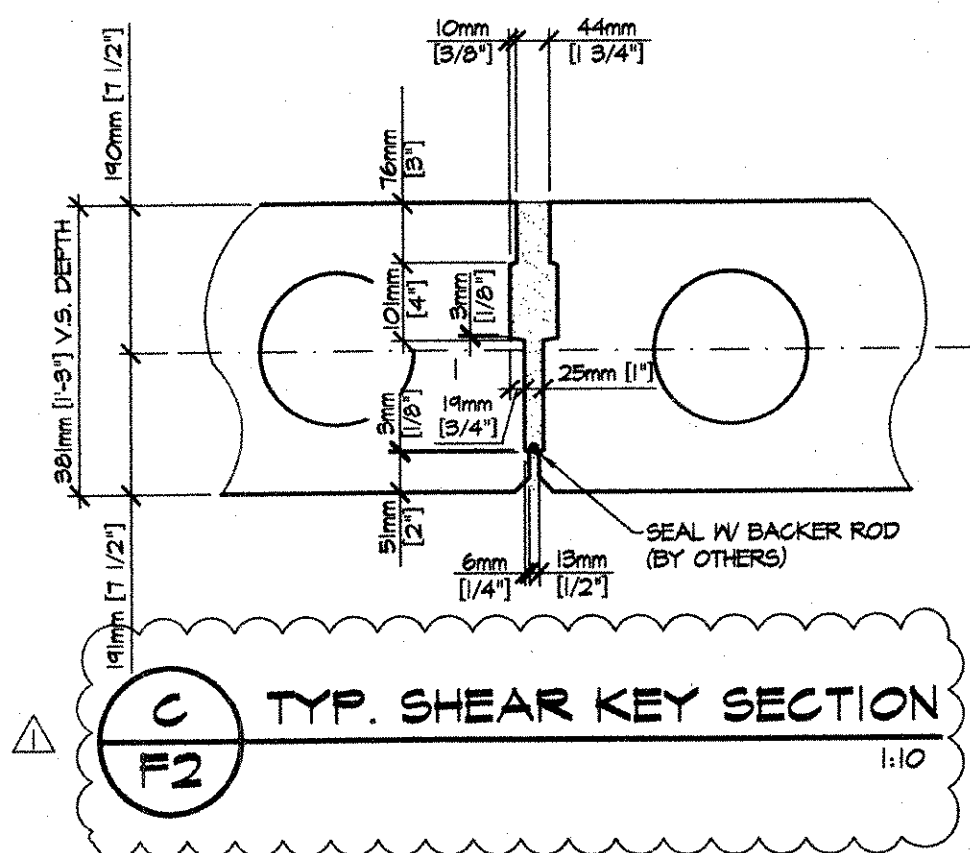
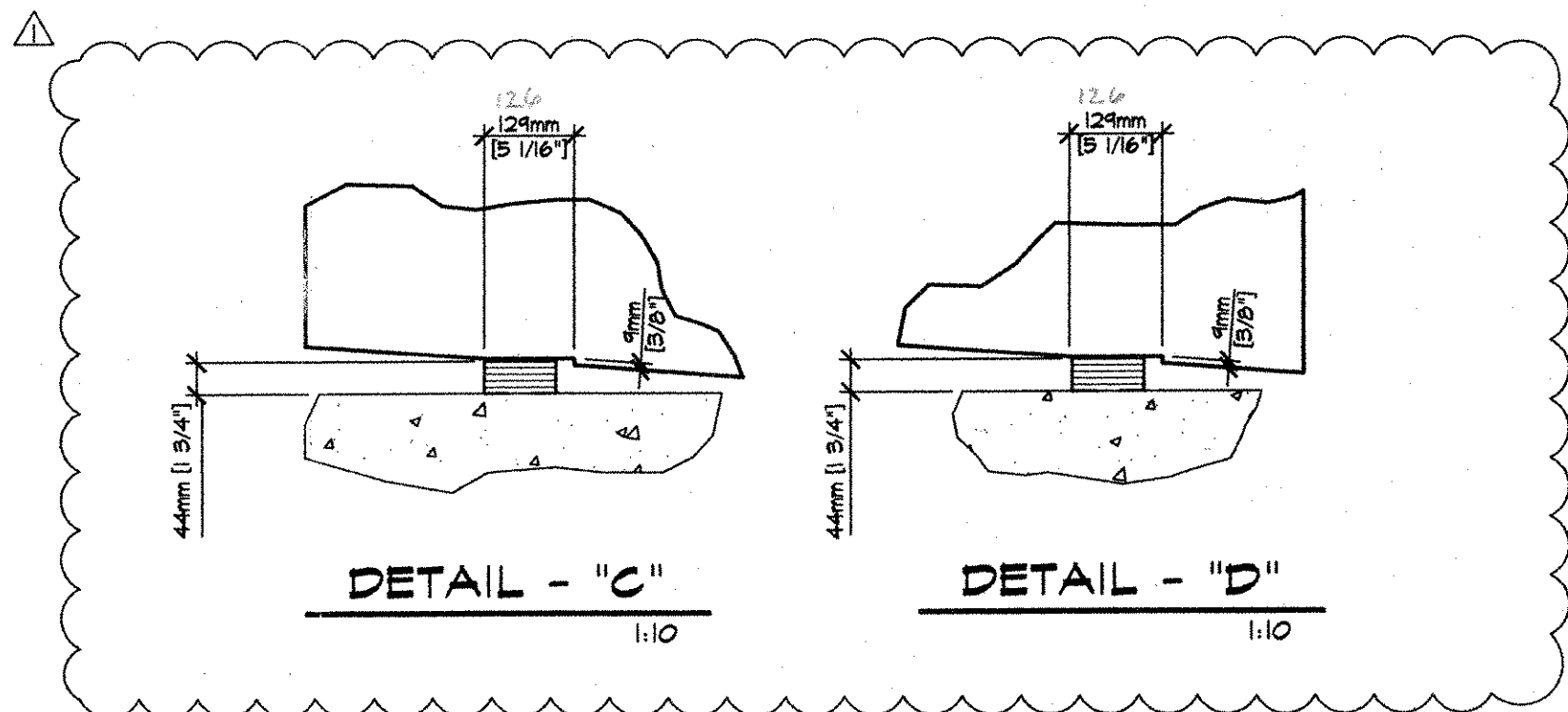
2 TRANSVERSE SECTION
F2
1:25



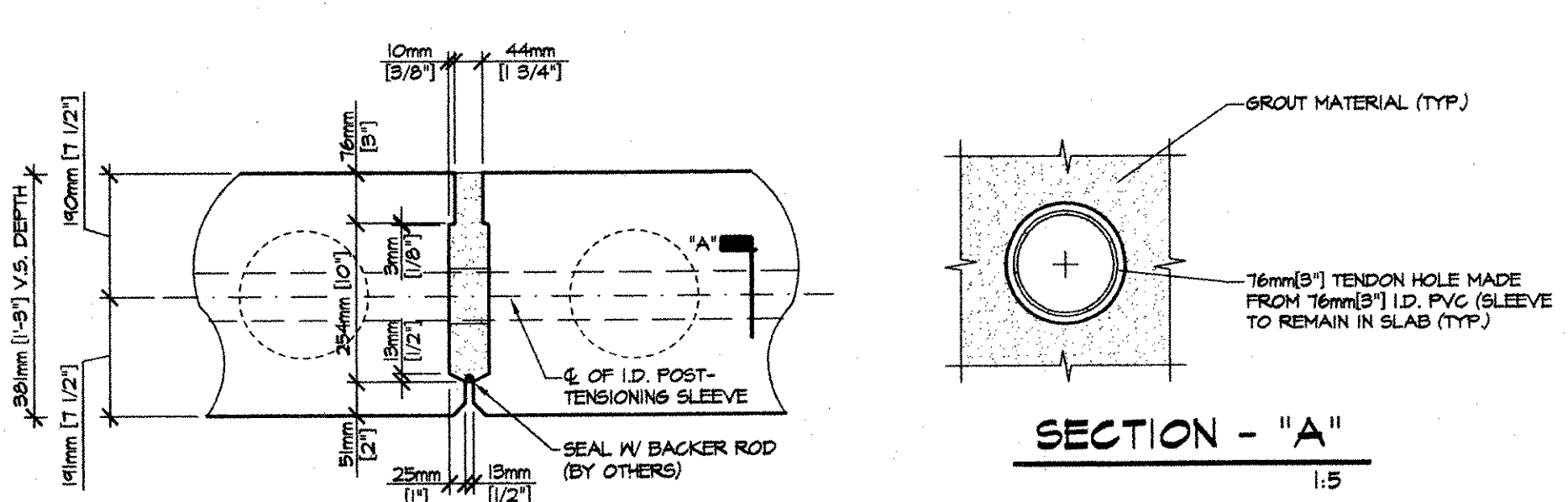
A SECTION @ BEARING
F2
EXP. END
1:15



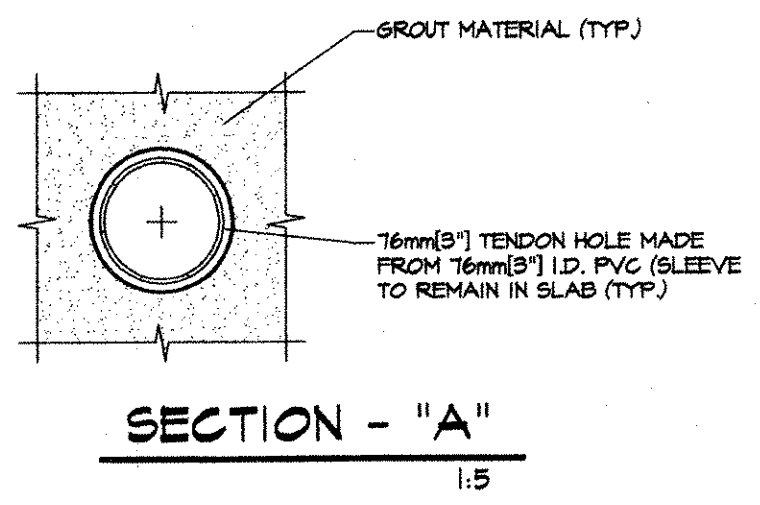
B SECTION @ BEARING
F2
FIXED END
1:15



C TYP. SHEAR KEY SECTION
F2
1:10



D SHEAR KEY SECTION @ P.T. SLEEVE
F2
1:10



SECTION - "A"
1:5

REV: 1-1-05 GEN. REV. PER ENGR. COMM. T.J.D.

APPROVAL STAMP:

RECEIVED
BY: KMH
DATE: 11/14/05

APPROVED: [Signature]
DATE: 11/14/05

J.P. CARRARA & SONS INC. Precast & Prestress Manufacturer 2484 CASE ST., MIDDLEBURY, VERMONT 05753 Phone: (802)388-6361 Fax: (802)388-9010		KUBRICKY CONST. CORP. CONTRACTOR GLENS FALLS, NEW YORK	
STATE OF VERMONT A.O.T. COUNTY OF WINDSOR		DATE: JULY 19, 2005	SCALE: NOTED
TOWN OF BETHEL - BRIDGE # 31 VT ROUTE 12 OVER 3RD BRANCH OF WHITE RIVER		CHKD: -	DFTM: T.J.D.
SECTION AND DETAILS		JOB NO: 23224-05	DWG. NO: F2 147 PC