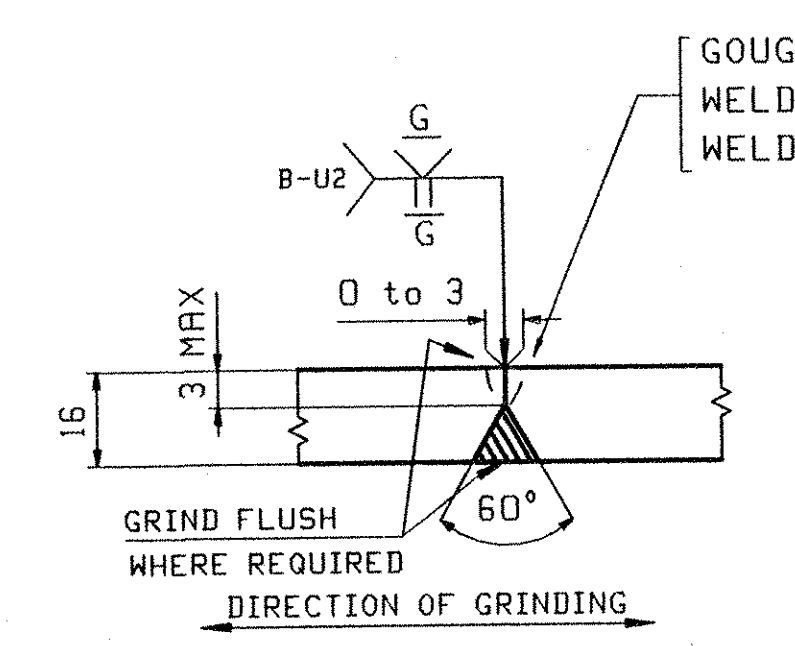
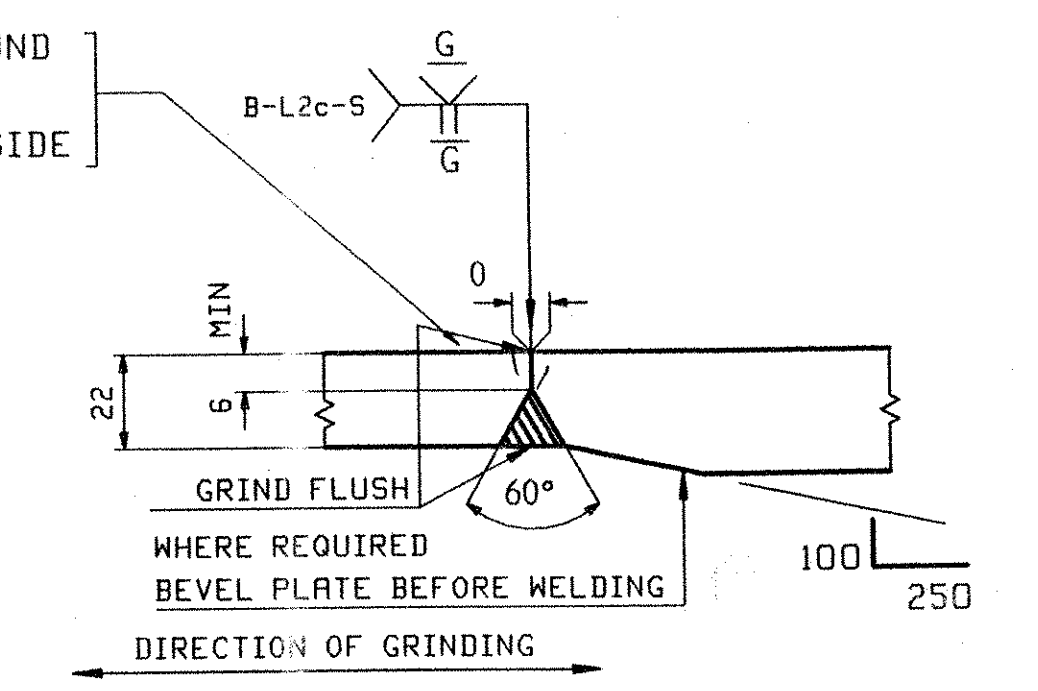


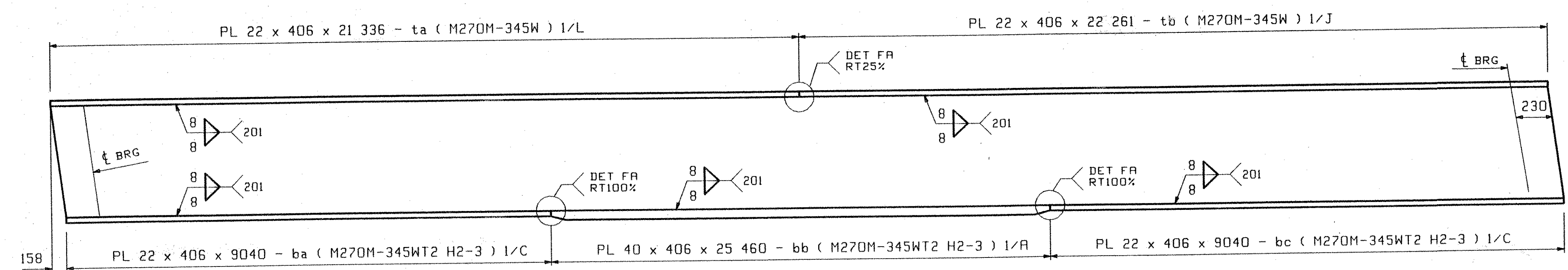
CAMBER DIAGRAM FOR 1G1 THRU 5G5



WEB PLATE SPLICE DETAIL "WA"



FLANGE PLATE SPLICE DETAIL "FA"



FLANGE DIAGRAM FOR 1G1 THRU 5G5

OUT FOR APPROVAL	7-5-05																		
OUT FOR APPROVAL																			
ISSUED TO SHOP																			
FIELD & OFFICE																			

REV.	REMARKS	DATE	DWN	CHK	APP	Q.A.	NO.	DIA.	LGT	TYPE	WASHER

MATERIAL:	ELECTRODES:	HOLES:	SHOP BOLTS:

DESCRIPTION:	CAMBER DIAGRAMS	DRAWN BY:	BH1
JOB:	VT ROUTE 12 BRIDGE OVER WHITE RIVER	JTB	05/30
	BRIDGE NO: 31 (SPAN #2)	CHKD BY:	
	TOWN OF BETHEL, VERMONT	TJB	06/22
	COUNTY OF WINDSOR	APPROV BY:	
	CONTRACTOR: KUBRICKY CONST CORP.	SUPERVISOR:	W. J. HATTI
PROJ NO.	BRF0241(33) C/2	Q.A.	
CUSTOMER:	VERMONT ROT		

CASCO BAY STEEL STRUCTURES, INC.		JOB NO.	DRG. NO.
75 SPRING HILL ROAD	SACO, MAINE 04072	270	1
PHONE (207) 282-7360	FAX (207) 282-1179	13595	REV.

RECEIVED
 CK'D BY: KMH OK'D BY: HJS
 JUL 14 2005
 RESUBMIT: APPROVED: ✓
 BY: CPW DATE: 7/29/05

- NOTES:**
- FOR GENERAL NOTES AND WELD DETAILS SEE DWG GNI.
 - H2-3 DENOTES MATERIAL SUBJECT TO CHARPY V-NOTCH TEST AT H FREQ. FOR ZONE 2