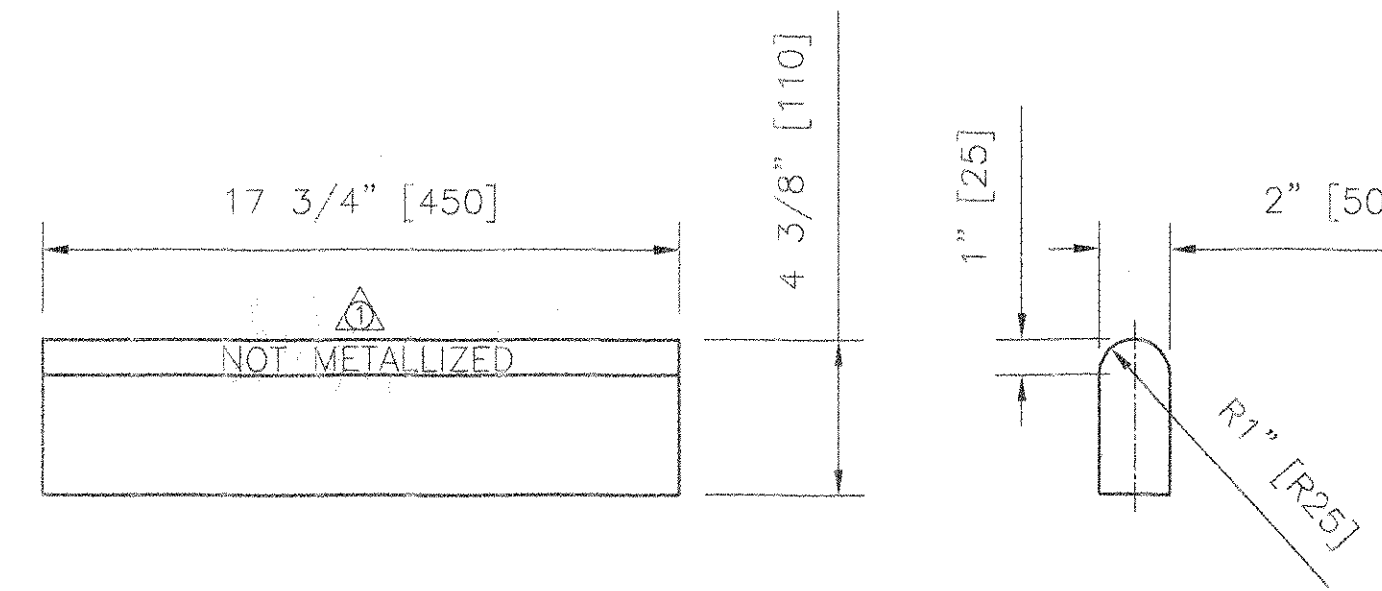
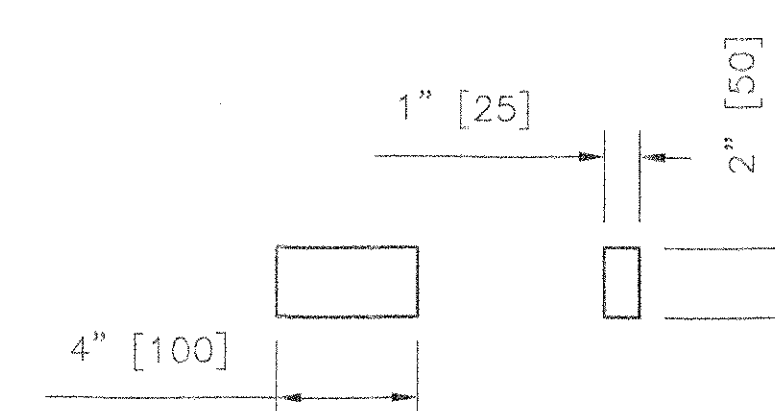


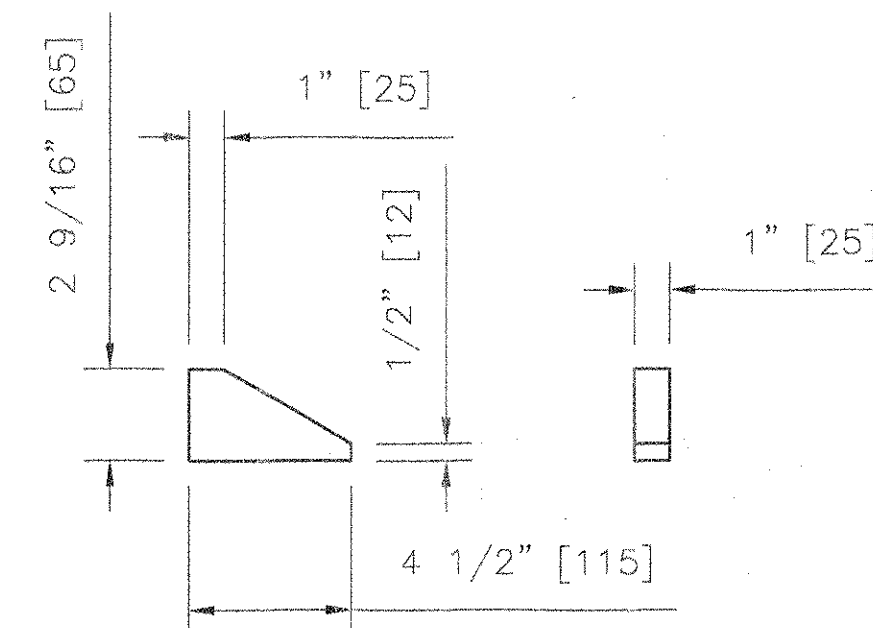
SIDE ELEVATION
SOLE PLATE ONLY



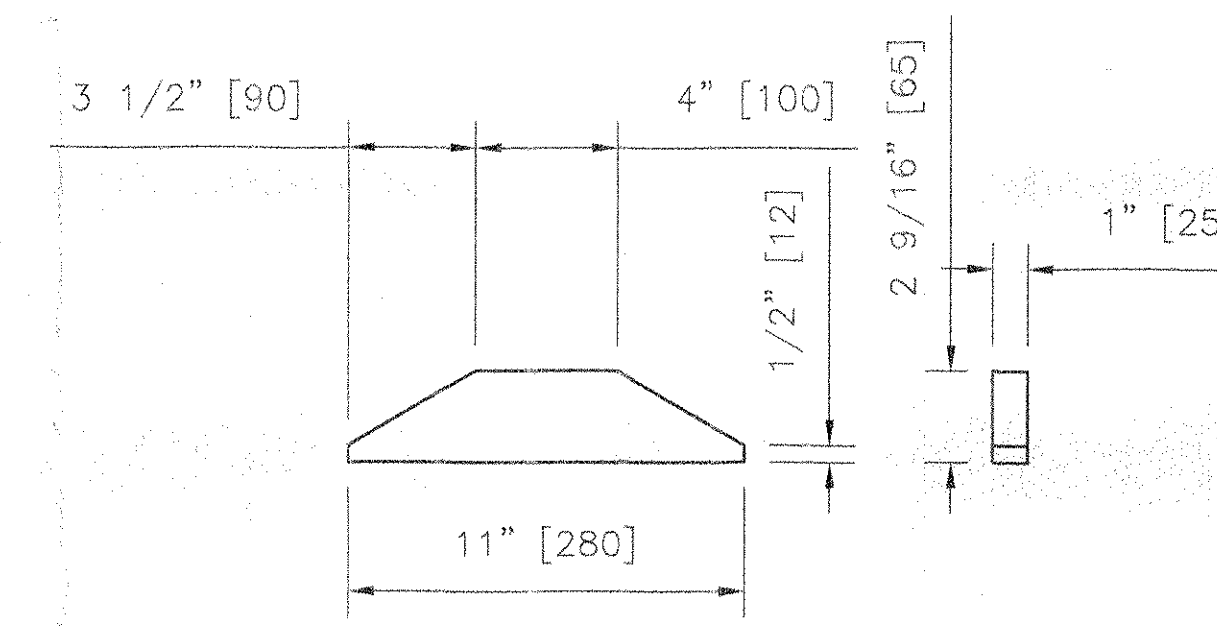
BEARING COLUMN DETAIL



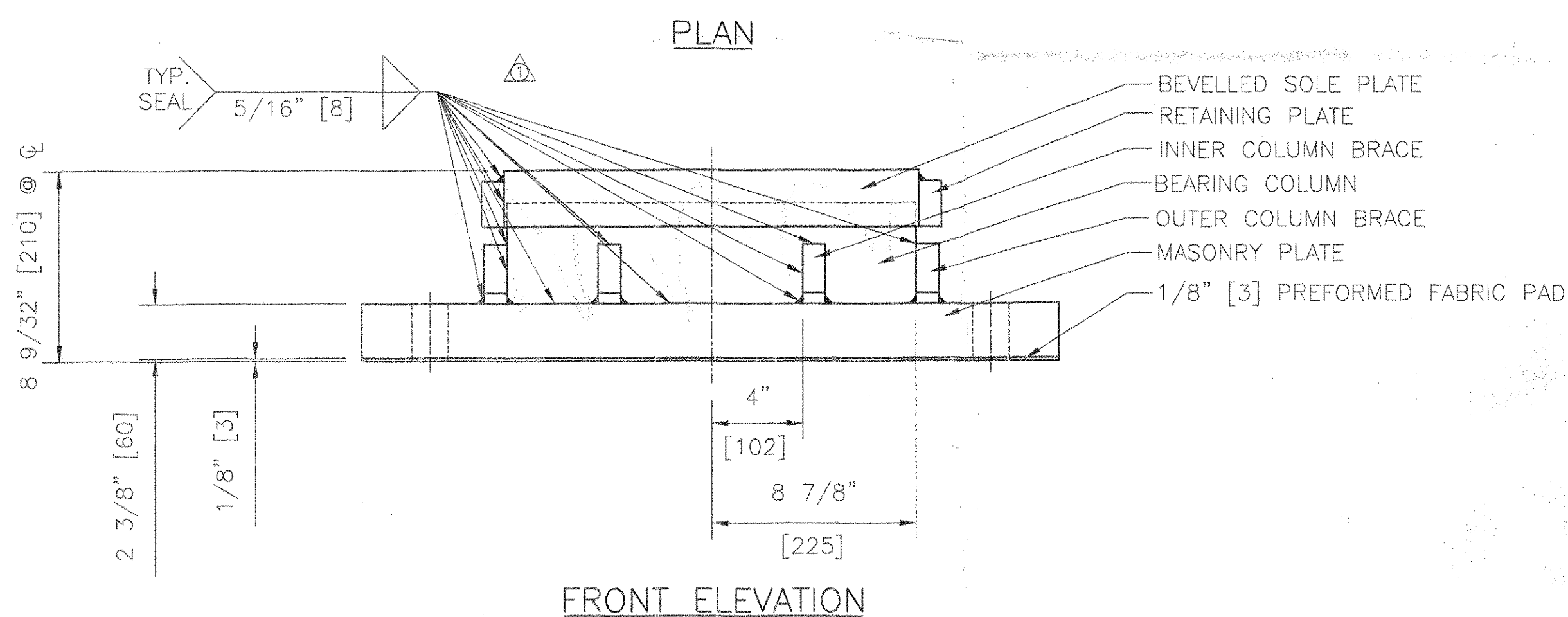
RETAINING PLATE DETAIL
QUANTITY: 2 (PER BRG.)



INNER COLUMN BRACE DETAIL
QUANTITY: 4 (PER BRG.)



OUTER COLUMN BRACE DETAIL
QUANTITY: 2 (PER BRG.)



**COSMEC FIXED
ROCKER BEARING**

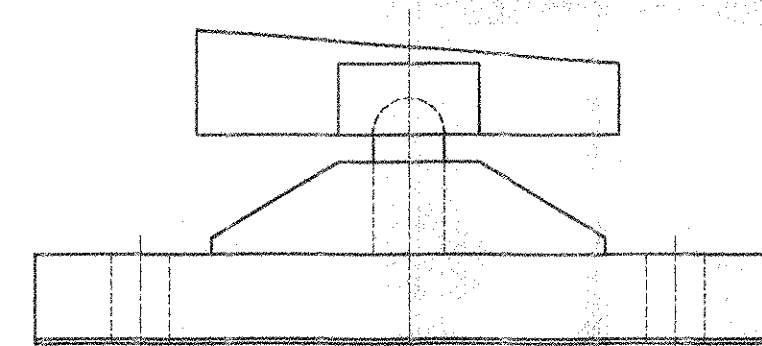
LOCATION: ABUTMENT 2
QUANTITY: 5

NOTES:

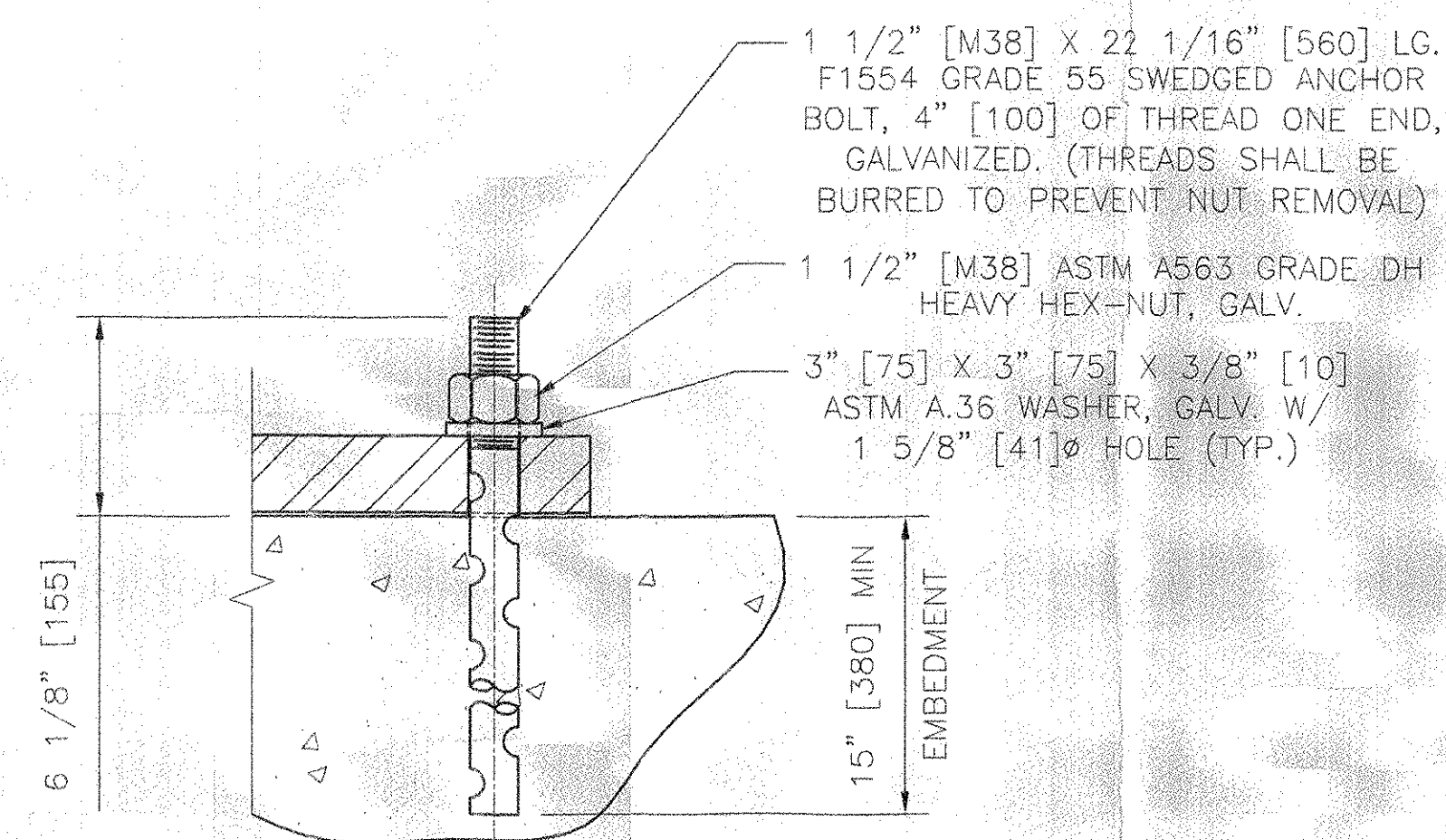
1. ALL MATERIAL USED IN THE FABRICATION OF THESE BEARINGS SHALL BE MADE IN THE U.S.A.
2. ⊗ INDICATES THICK END OF BEVEL.
3. LOCATION OF FABRICATION PLANT - 70 SOUTH ST. WALPOLE, MA. 02081
4. COSMEC INC. REPRESENTATIVE - MR. McANDREWS (508)668-6600
5. UNITS = INCHES [mm]

MATERIALS:

STEEL: ASTM A709 GR.50 ZINC METALLIZED AND SEALED
(RADIAL SURFACES SHALL NOT BE COATED)
PREFORMED FABRIC PAD: AASHTO SPEC. 18.4.9.1, DIV. II
ANCHOR BOLTS: ASTM F1554 GR.55 FULLY THREADED ALL GALVANIZED



SIDE ELEVATION



ANCHOR BOLT DETAIL
QUANTITY: 20

RECEIVED
CHK'D BY: *KMH* OK'D BY: _____
DEC 20 2005
RESUBMIT _____ APPROVED _____
BY: *CPW* DATE: 1/9/06

STATE OF VERMONT
AGENCY OF TRANSPORTATION
BETHEL, VT.
ROUTE 12 BRIDGE
PROJ. NO. BRF 0241 (33) C/2

COSMEC, INC. 70 SOUTH STREET
WALPOLE, MA. 02081

SCALE: 3/16" = 1" DRAWN BY: MRR CHECKED BY: MCM
DATE: DATE: 10/05 DATE: 10/21/05

COSMEC FIXED ROCKER BEARING

REV.	BY	DATE	OK'D	DATE	S.D. NUMBER	DRAWING NUMBER	REV.
1	MRR	12/16/05	MM	12/16/05	60406	4514	1