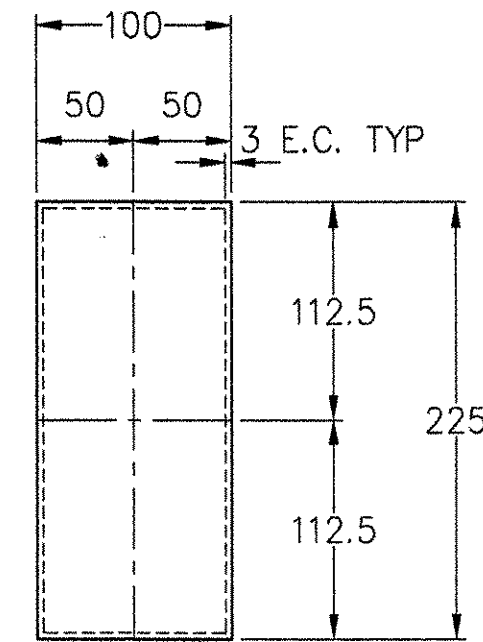
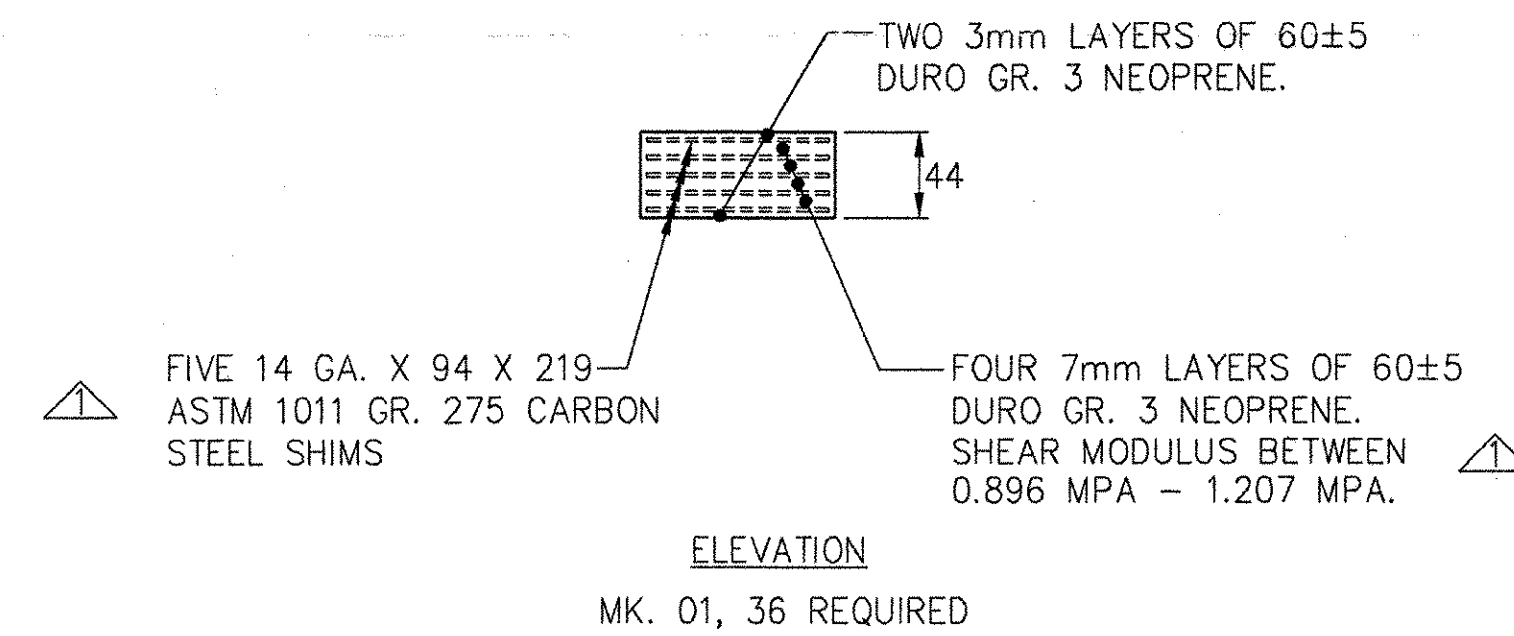


NOTES:

1. BEARING PADS TO BE MANUFACTURED IN ACCORDANCE WITH SECTIONS 531 AND 731 OF THE STATE OF VERMONT 2001 STANDARD SPECIFICATIONS FOR CONSTRUCTION AND THE SPECIAL PROVISIONS FOR THIS PROJECT.
2. ONLY ITEMS SHOWN ON THIS DRAWING ARE TO BE PROVIDED BY SEISMIC ENERGY PRODUCTS, L.P.
3. TEMPERATURE RANGE: -34°C TO 49°C
4. TOLERANCES:
  - OVERALL HORIZONTAL DIMENSIONS . . . . . ±1/16"
  - DESIGN THICKNESS . . . . . ±1/16"
  - POSITION OF EXPOSED CONNECTION MEMBERS . . . . . ±1/16"
  - SIZE & POSITION OF HOLES/SLOTS . . . . . ±1/16"
  - BEVEL SLOPE . . . . . ±0.002 RADIAN
  - FLATNESS OF TOP OF SOLE PLATE . . . . . 0.001 X NOMINAL DIMENSION
  - FLATNESS OF STAINLESS STEEL & P.T.F.E. . . . . 0.010"



PLAN VIEW



ELEVATION

RECEIVED		OCT 25 2005	
DRAWN BY: K.M.H.		DATE: 10/25/05	
BY: [Signature]		DATE: 10/25/05	
CAD FILE: 26519VT			
CUSTOMER:		S.O. NO.	
KUBRICKY CONSTRUCTION CORP.		675	
237 BAY STREET		(13165)	
GLENS FALLS, NY. 12801-7202		26519	
DRN. J.P.	09/06/05	P.O. NO.	
CHKD. B.W.	09/06/05	REV.	
Q.A. REV'D.		DWG. NO.	0805095
		SHT 1 OF 1	

REV. DESCRIPTION DATE	
△	ADDED SHEAR MODULUS AND TEMP. RANGE 10/14/05
TOWN OF	BETHEL BRIDGE NO. 31
PROJECT NAME	TOWN OF BETHEL PROJECT NUMBER BRF0241 (33) C/2
HIGHWAY NO.	COUNTY WINDSOR
CONTRACTOR:	
<b>Seismic Energy Products, L.P.</b> STRUCTURAL BEARINGS FOR BRIDGES & BUILDINGS ATHENS, TEXAS	
STATE OF VERMONT	
DEPARTMENT OF TRANSPORTATION	
STRUCTURAL BEARING DETAILS FOR:	
WINDSOR COUNTY TOWN OF BETHEL RT VT1	