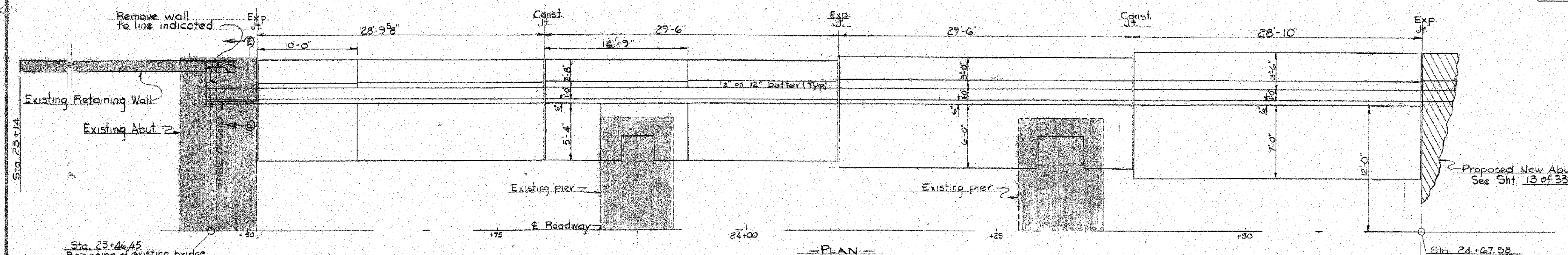
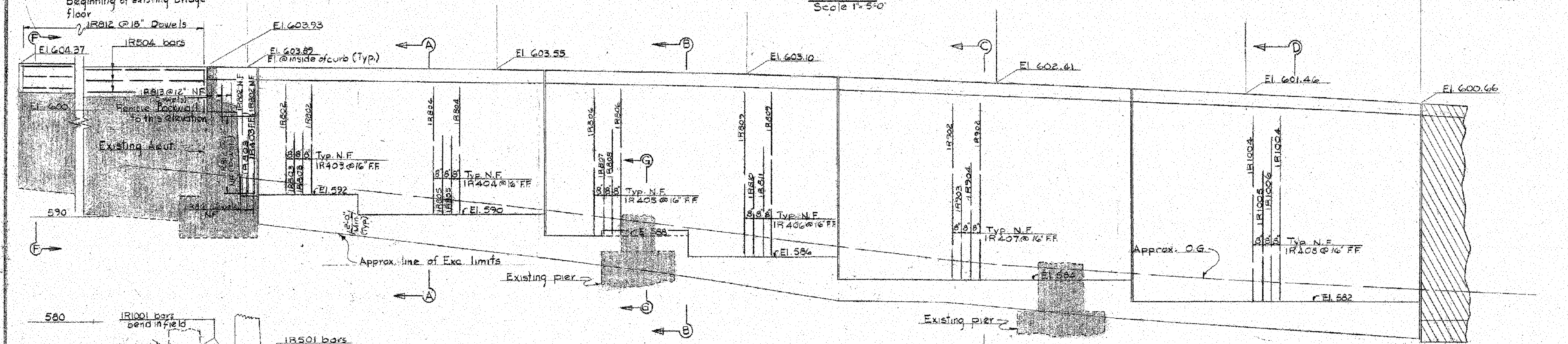


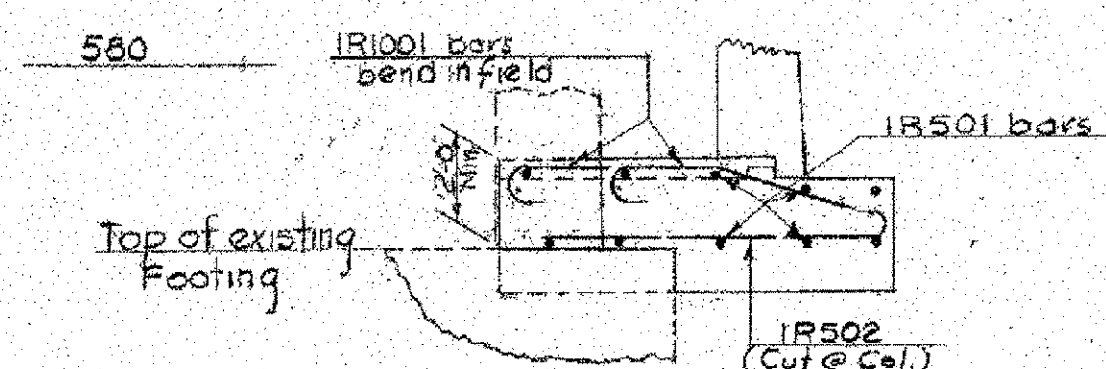
For Const. Jt. see SCB-D6-62-Detail B
 For Exp. Jt. see SCB-D6-62-Detail C



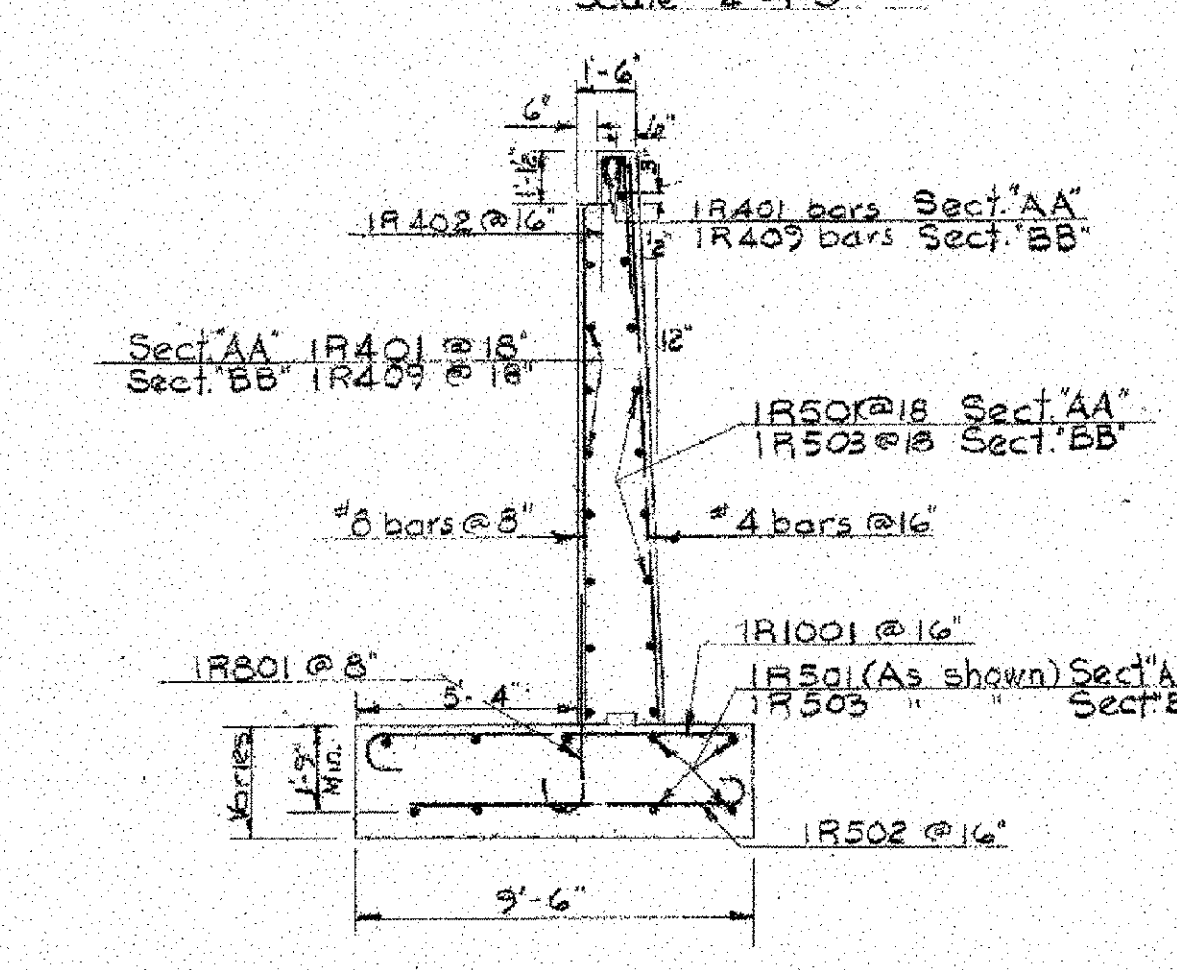
PLAN
 Scale 1" = 5'-0"



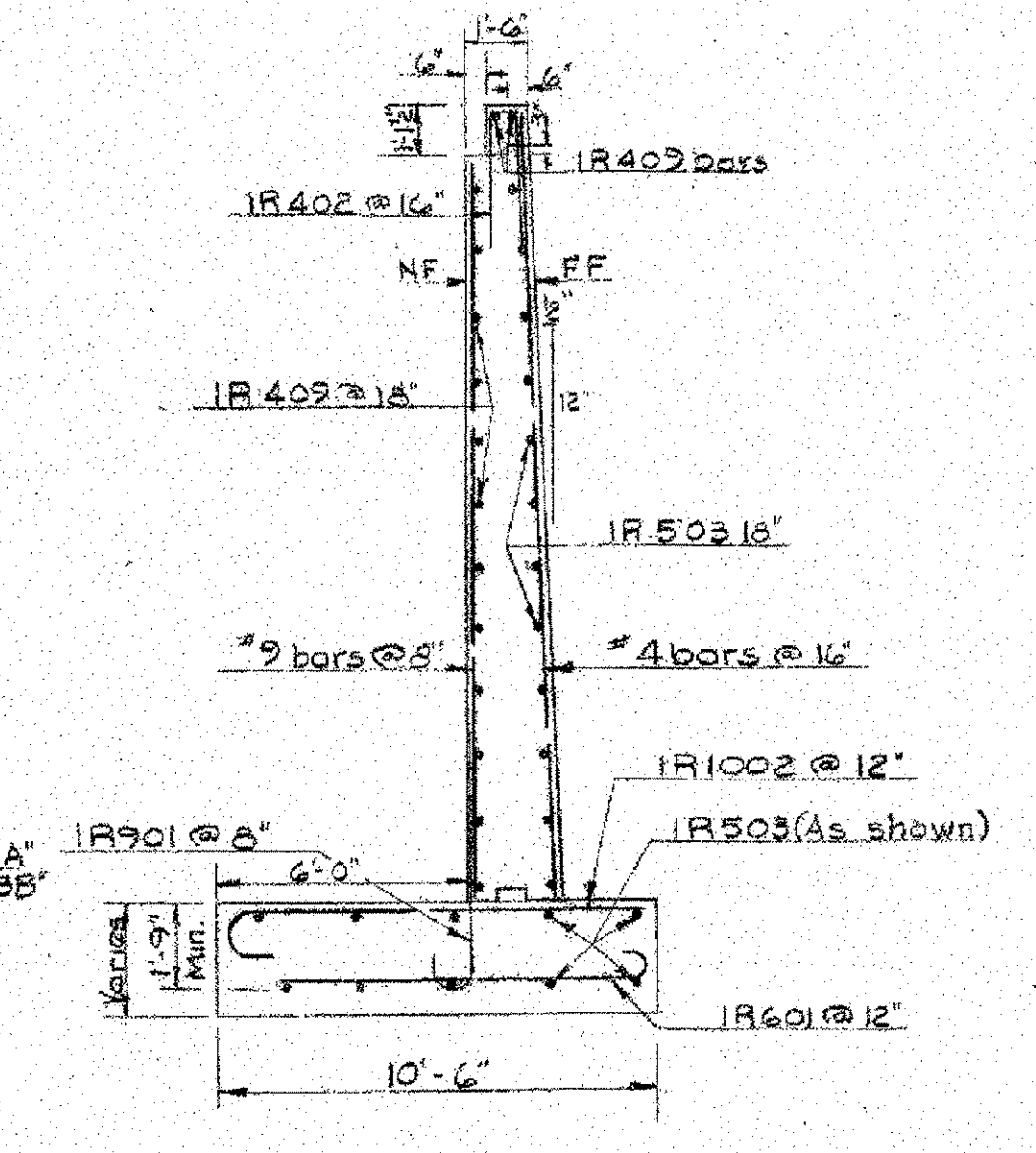
ELEVATION
 Scale 1" = 5'-0"



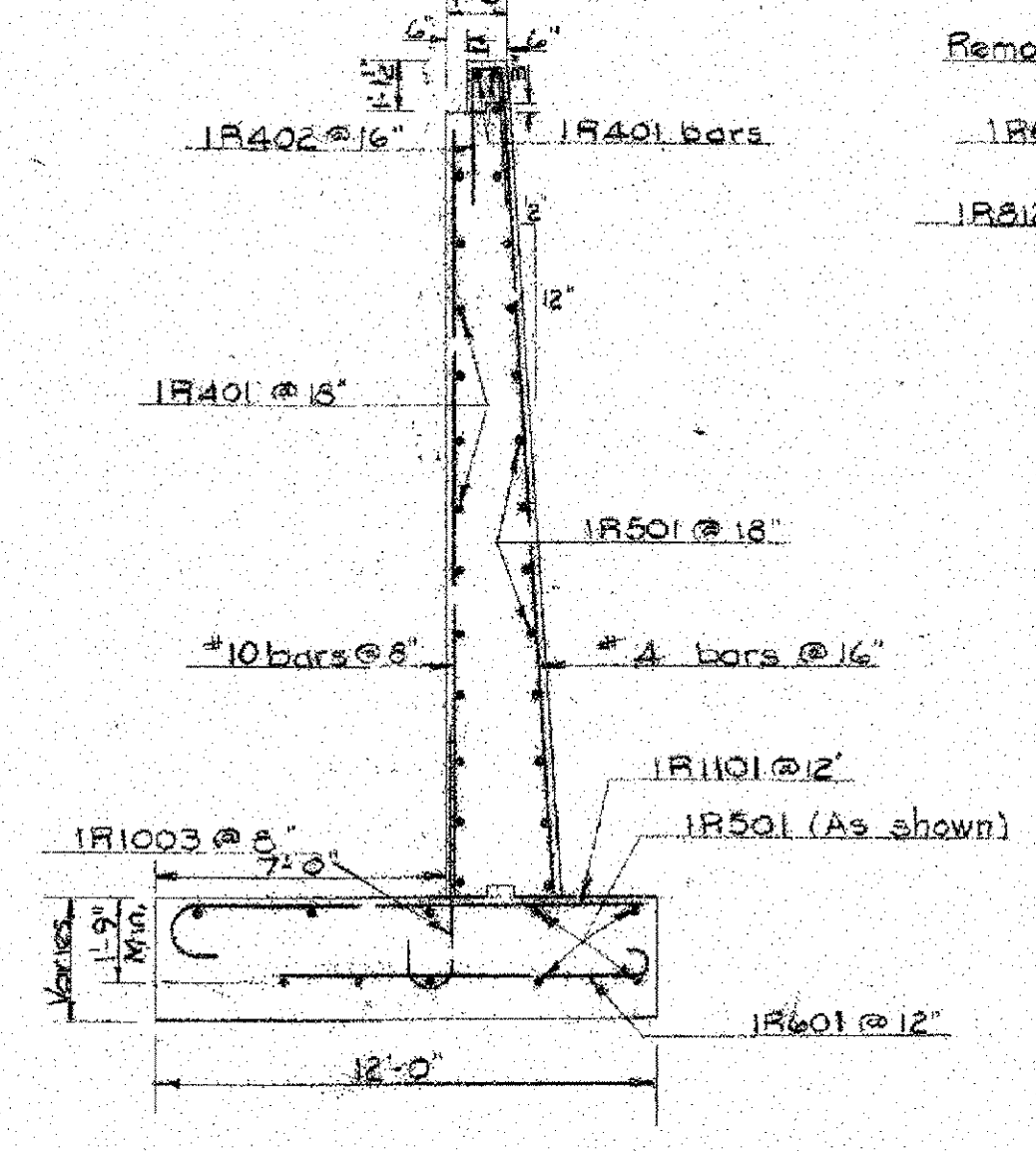
SECTION GG
 Scale 1/4" = 1'-0"



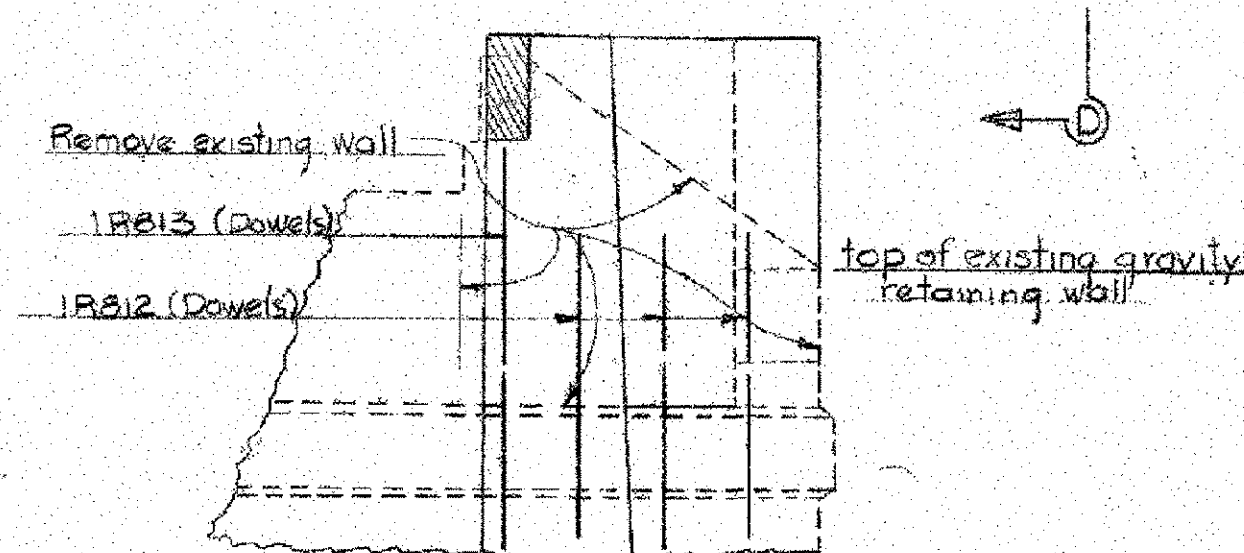
SECTION AA (SECT. BB similar)
 Scale: 1/4" = 1'-0"



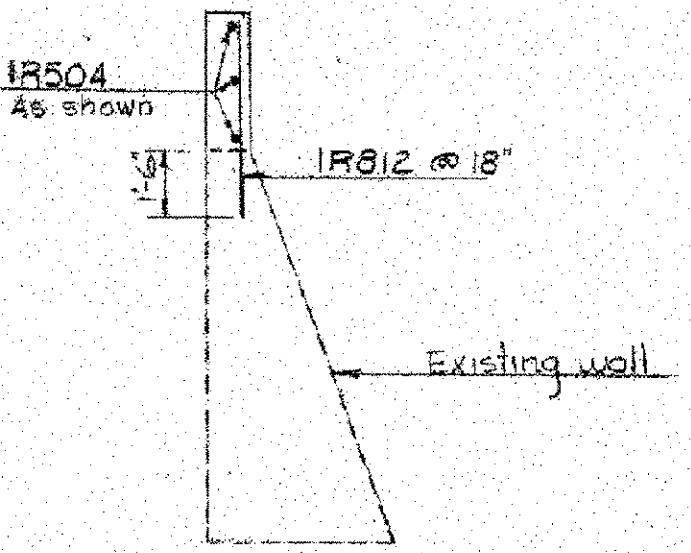
SECTION CC
 Scale: 1/4" = 1'-0"



SECTION DD
 Scale: 1/4" = 1'-0"



SECTION EE
 Scale 1/4" = 1'-0"



SECTION FF
 Scale 1/4" = 1'-0"

ITEM NO.	ITEM	UNIT	REV	TOTAL	FINAL
	CHAN. EXCAV. OF EARTH	C.Y.			
	CHAN. EXCAV. OF ROCK	C.Y.			
	UNCLAS. CHAN. EXCAV.	C.Y.			
107	STRUT. EXCAV.	C.Y.			301
	CONC. CLASS A8 (MOD.)	C.Y.			
401-B	CONC. CLASS B (MOD.)	C.Y.			307
402	REINF. STEEL	LEBS.			21,526
	ASPHALTIC FBR. COATING	S.Y.			
	TREATED TIMBER PILING	L.F.			
	SPLICES FOR STEEL PILING	EA.			
	STEEL PILING	L.F.			
	UNTREATED TIMBER PILING	L.F.			

STATE OF VERMONT
 DEPARTMENT OF HIGHWAYS
 TOWN OF BETHEL
 ROUTE NO. VI. 12 LOG STA.
 RETAINING WALL AT STA. 24+00
 BRIDGE OVER WHITE RIVER
 SCALE As Noted
 SURVEYED BY
 DRAWN BY NBI CHECKED BY R.D.
 PROJECT NO. SA10/1963
 SHEET 12 OF 12

PROJECT: BETHEL PROJECT NO.: BRF0231 (33) C/2
 DESIGN FILE NAME: 02c180/structures/s02c180ref.dgn
 IPARM FILE NAME: s02c180ref4.i PLOT DATE: 14-APR-2005
 DESIGNED BY: J. WHITE DRAWN BY: J. WHITE
 SQUAD LEADER: C. P. WILLIAMS CHECKED BY:
 REFERENCE SHEET 4 SHEET: 121 OF 130

THIS DRAWING IS NOT TO SCALE