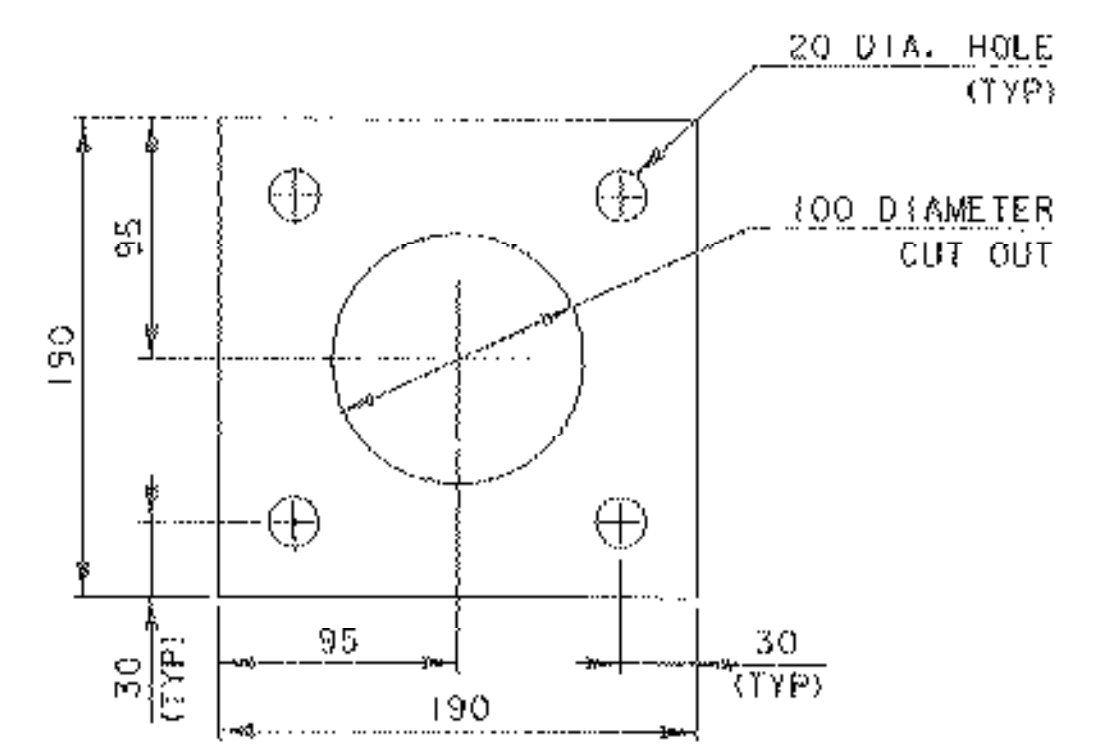
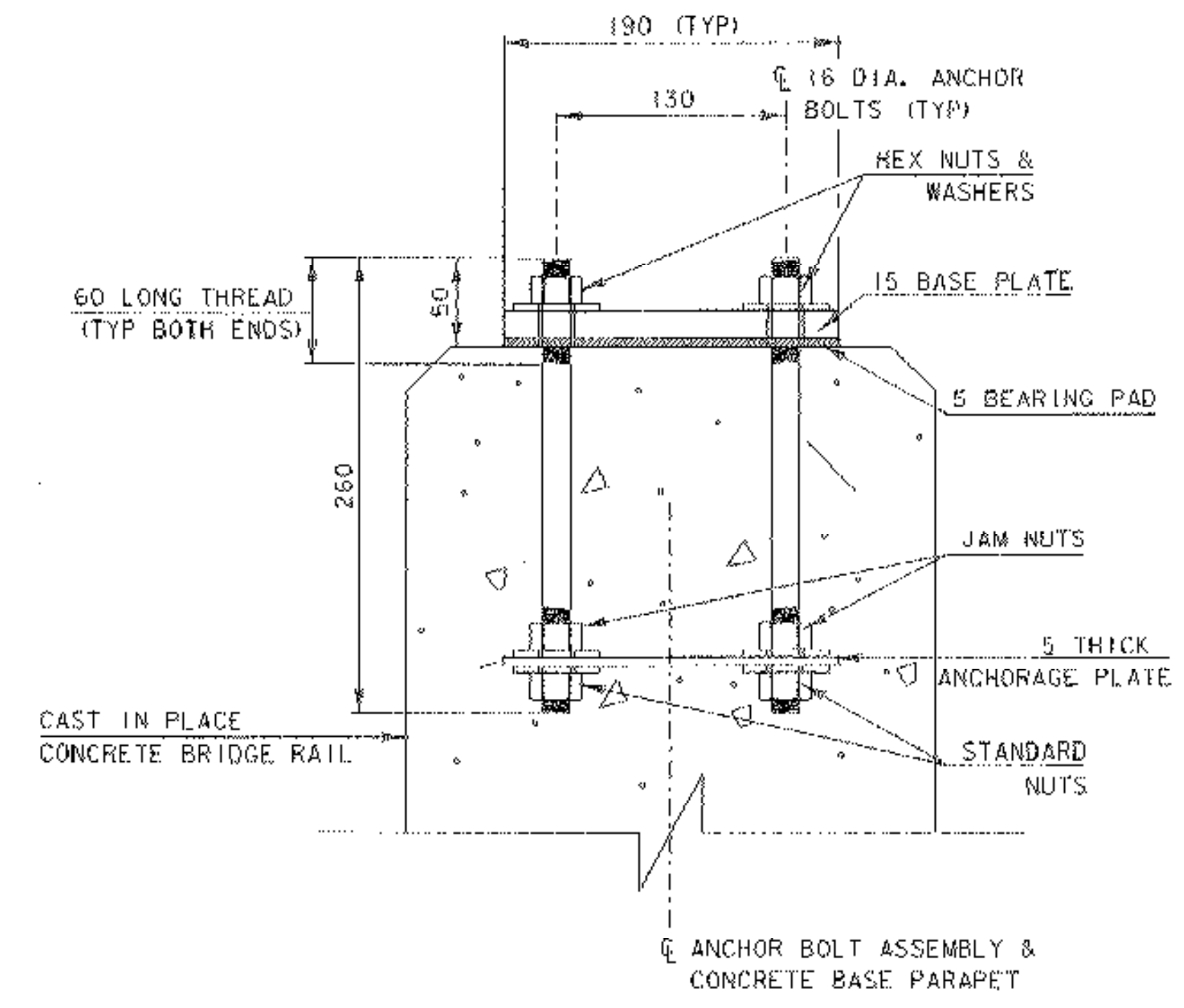


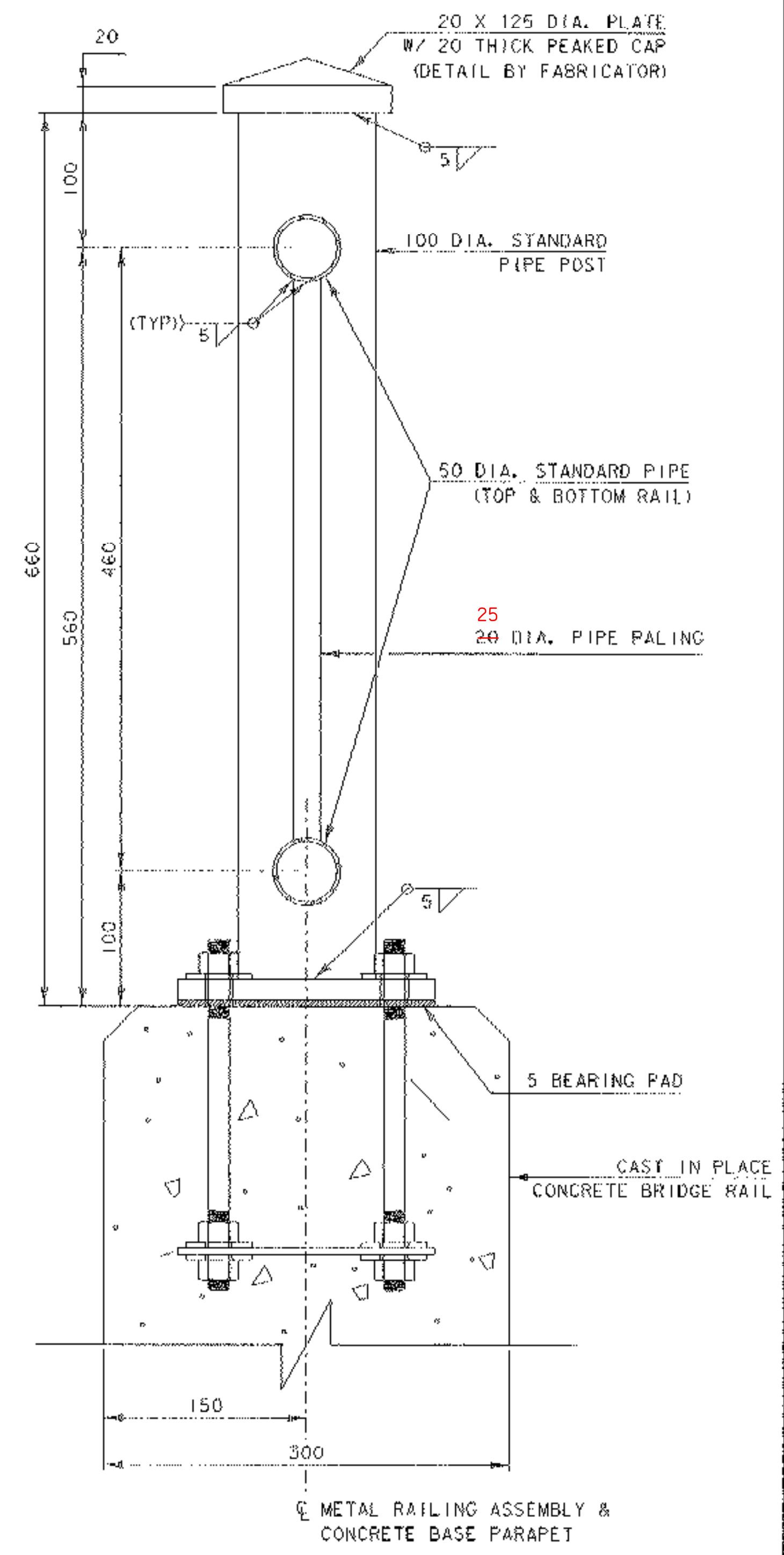
**TYPICAL BASE PLATE  
DETAIL**  
Scale = 1 : 3



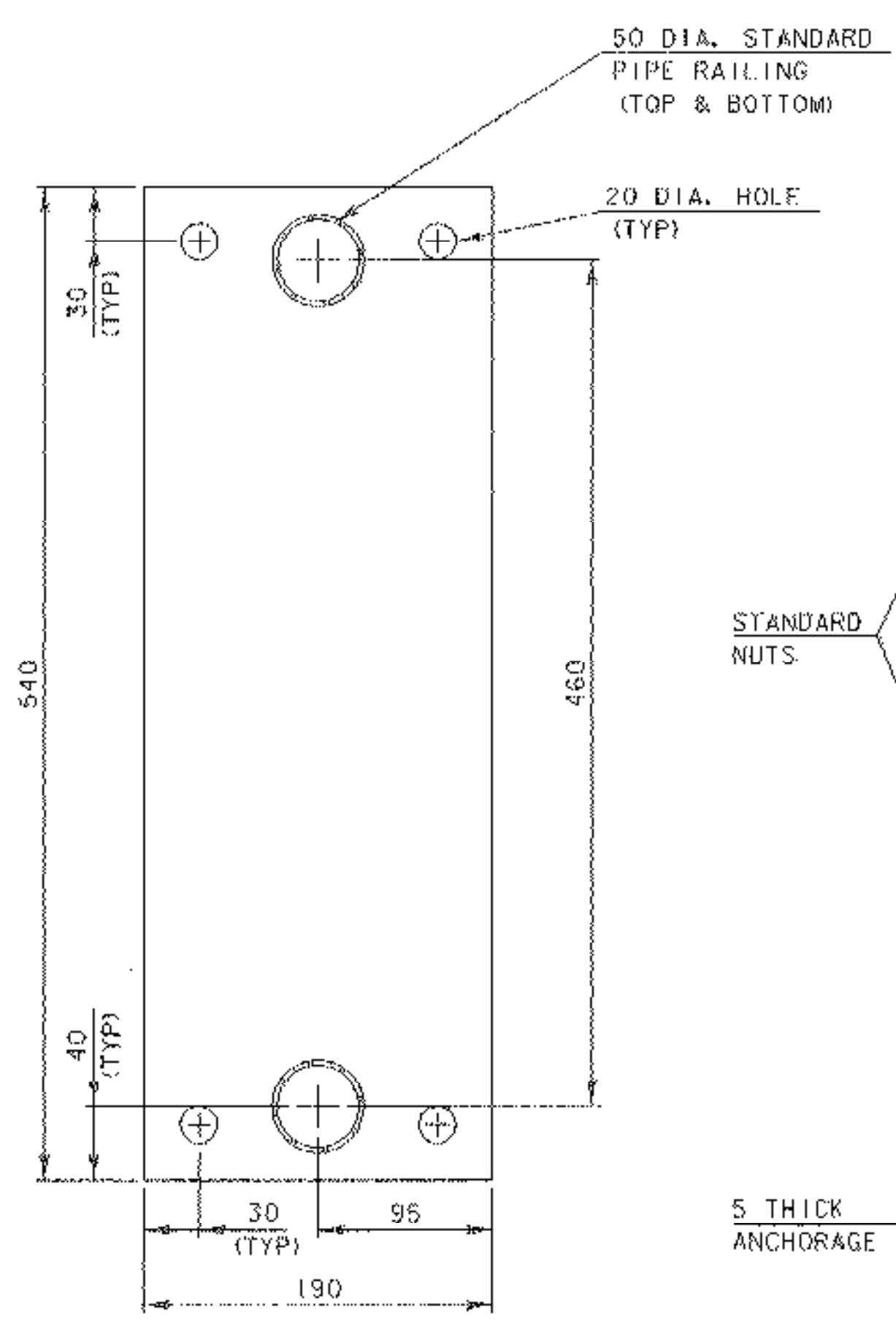
**TYPICAL ANCHORAGE  
PLATE DETAIL**  
Scale = 1 : 3



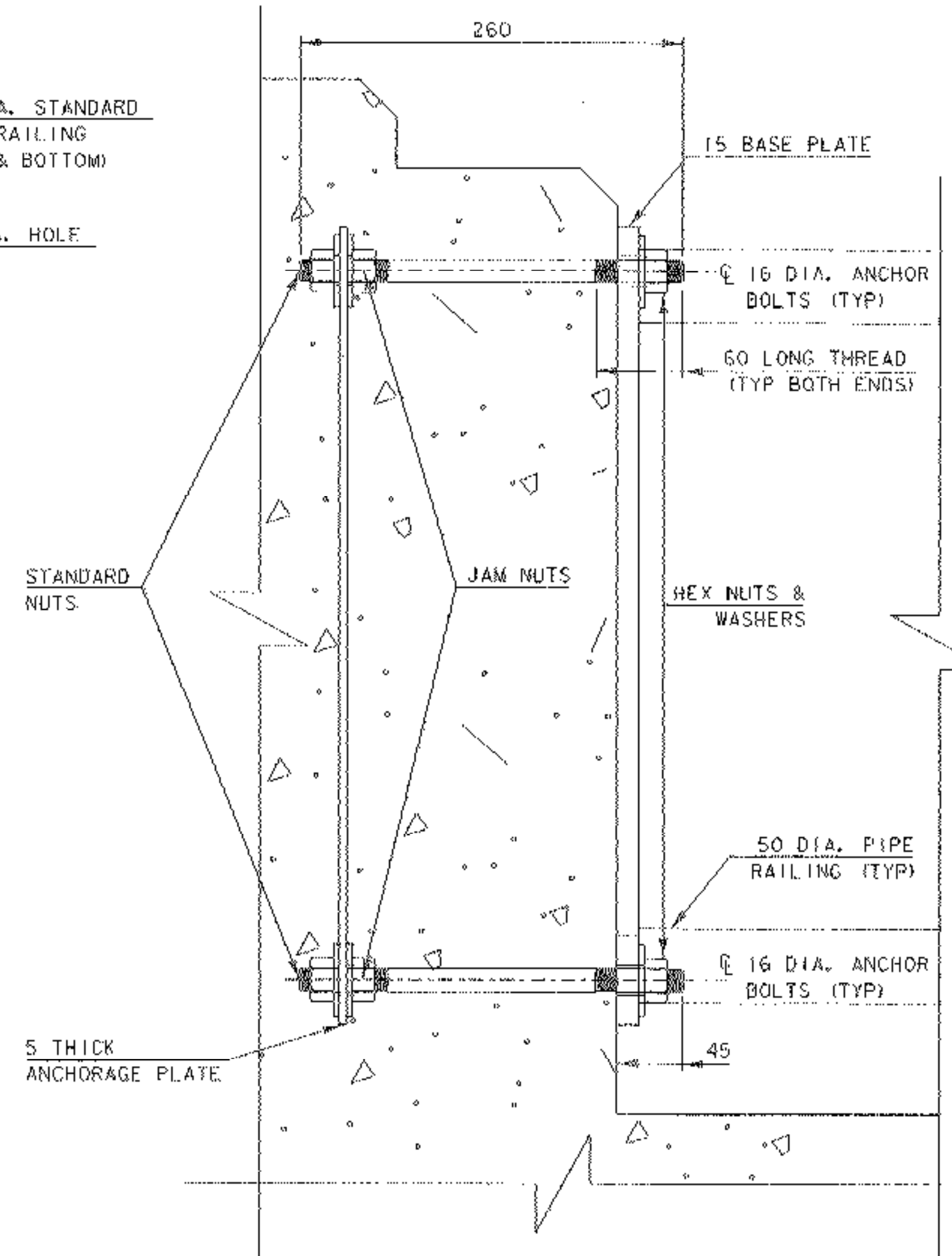
**ANCHOR BOLT ASSEMBLY**  
Scale = 1 : 3



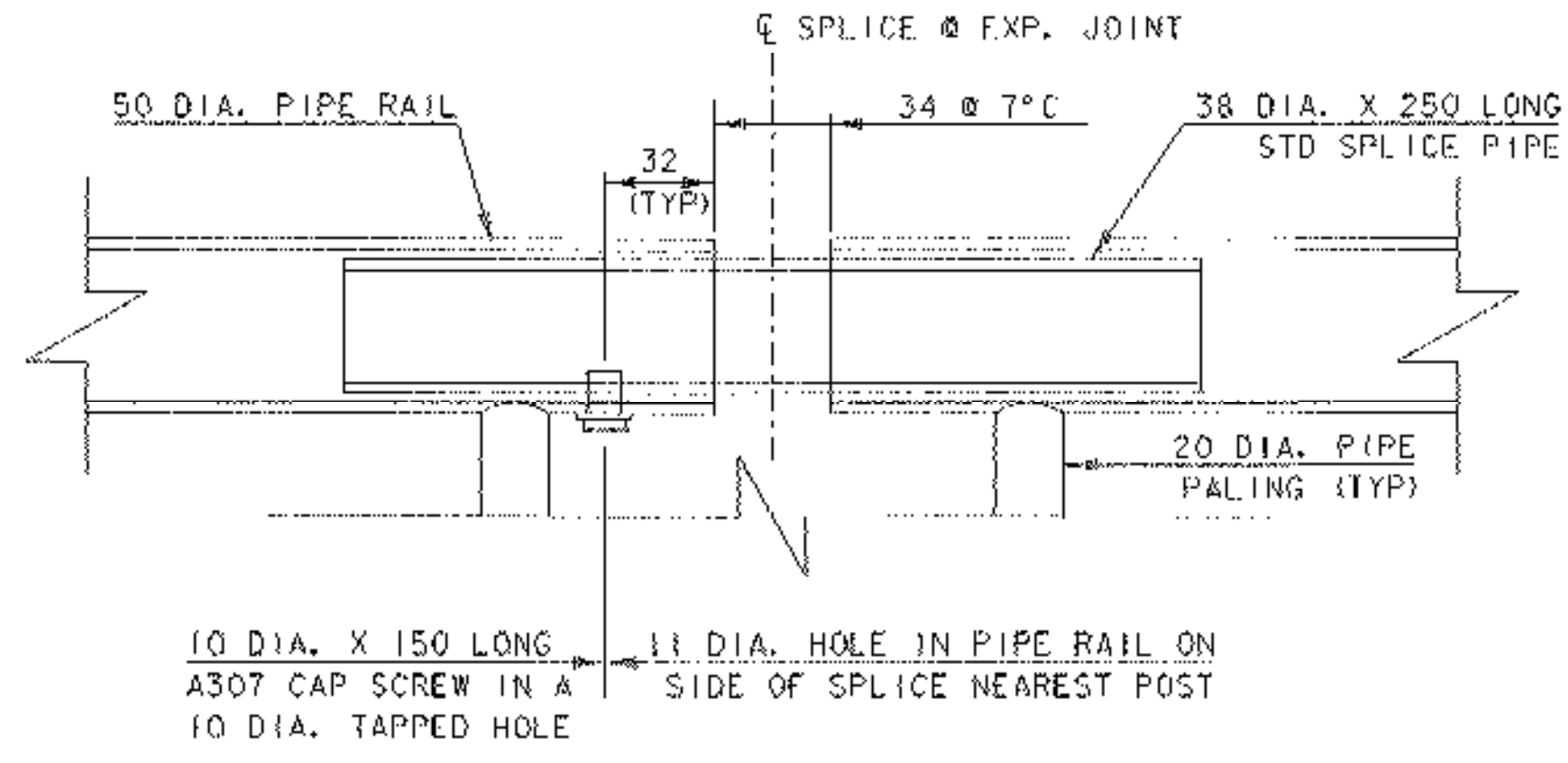
**METAL RAILING DETAIL**  
Scale = 1 : 3



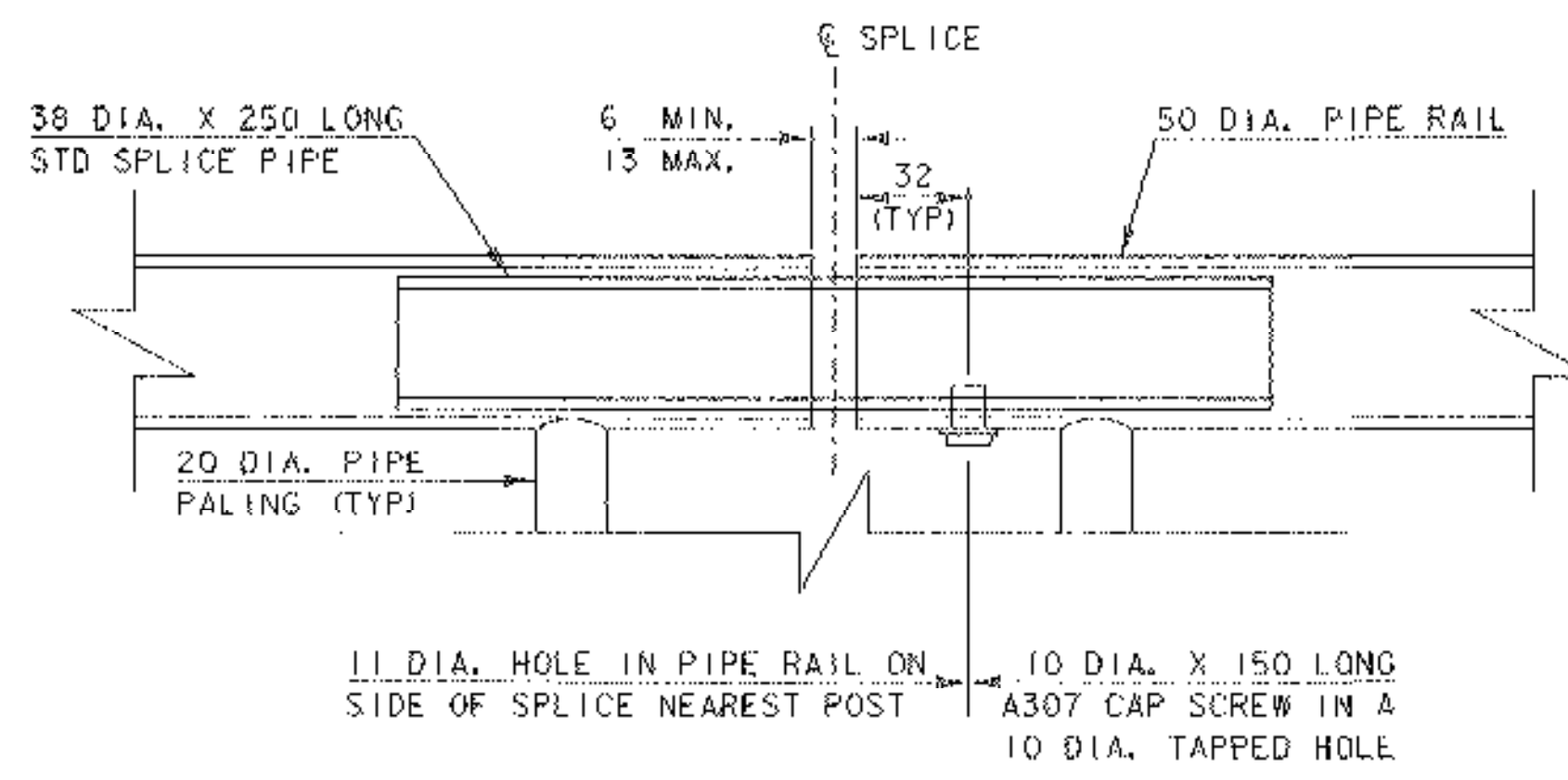
**TYPICAL SIDE  
PLATE DETAIL**  
Scale = 1 : 3



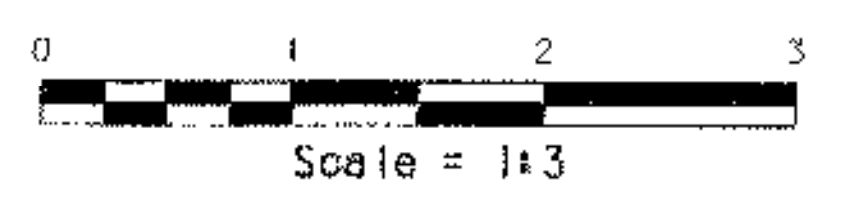
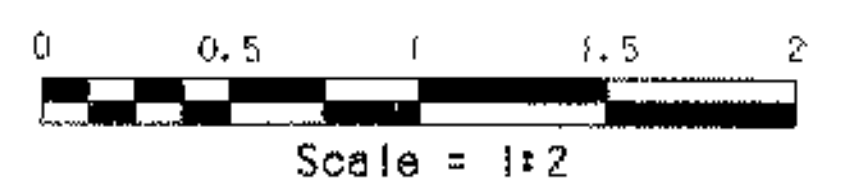
**TYPICAL SIDE PLATE  
CONNECTION DETAIL**  
Scale = 1 : 3



**SPLICE DETAIL  
@ EXPANSION JOINT  
(TYP TOP & BOTTOM)**  
Scale = 1 : 2



**SPLICE DETAIL**  
Scale = 1 : 2



|  |   |
|--|---|
| PROJECT:<br><b>BETHEL</b>                            | PROJECT NO.:<br><b>BRF0241 (33) C/2</b> |
| DESIGN FILE NAME: s02c180/Structures/s02c180rail.dgn | PLOT DATE: 14-APR-2005                  |
| IPARM FILE NAME: s02c180handrail.i                   | DRAWN BY: E.L. RUSTAY                   |
| DESIGNED BY: K.M. HIGGINS                            | CHECKED BY: K.M. HIGGINS                |
| SQUAD LEADER: C.P. WILLIAMS                          | SHEET: 76 OF 130                        |
| BRIDGE RAIL DETAILS                                  |   |