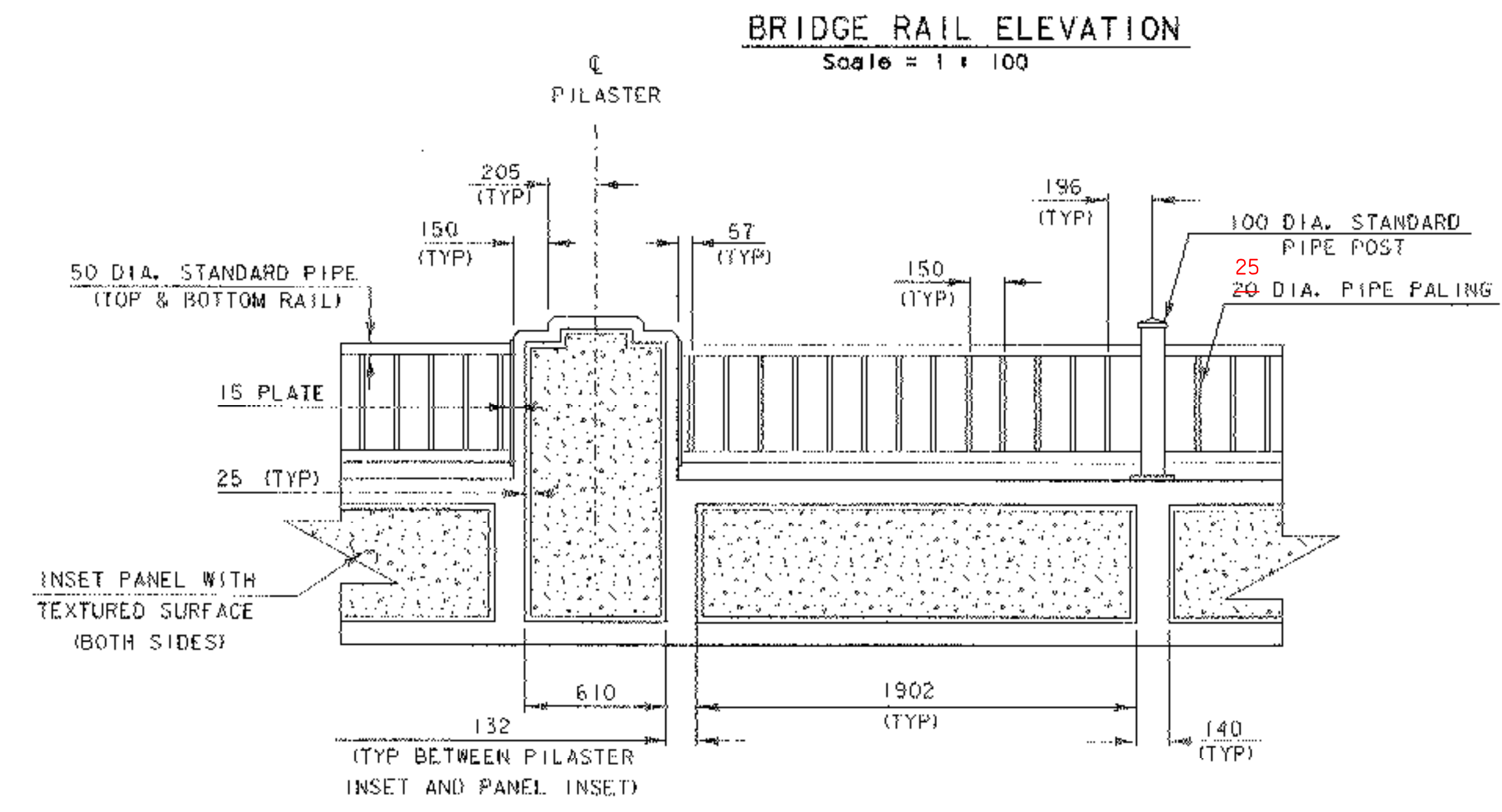
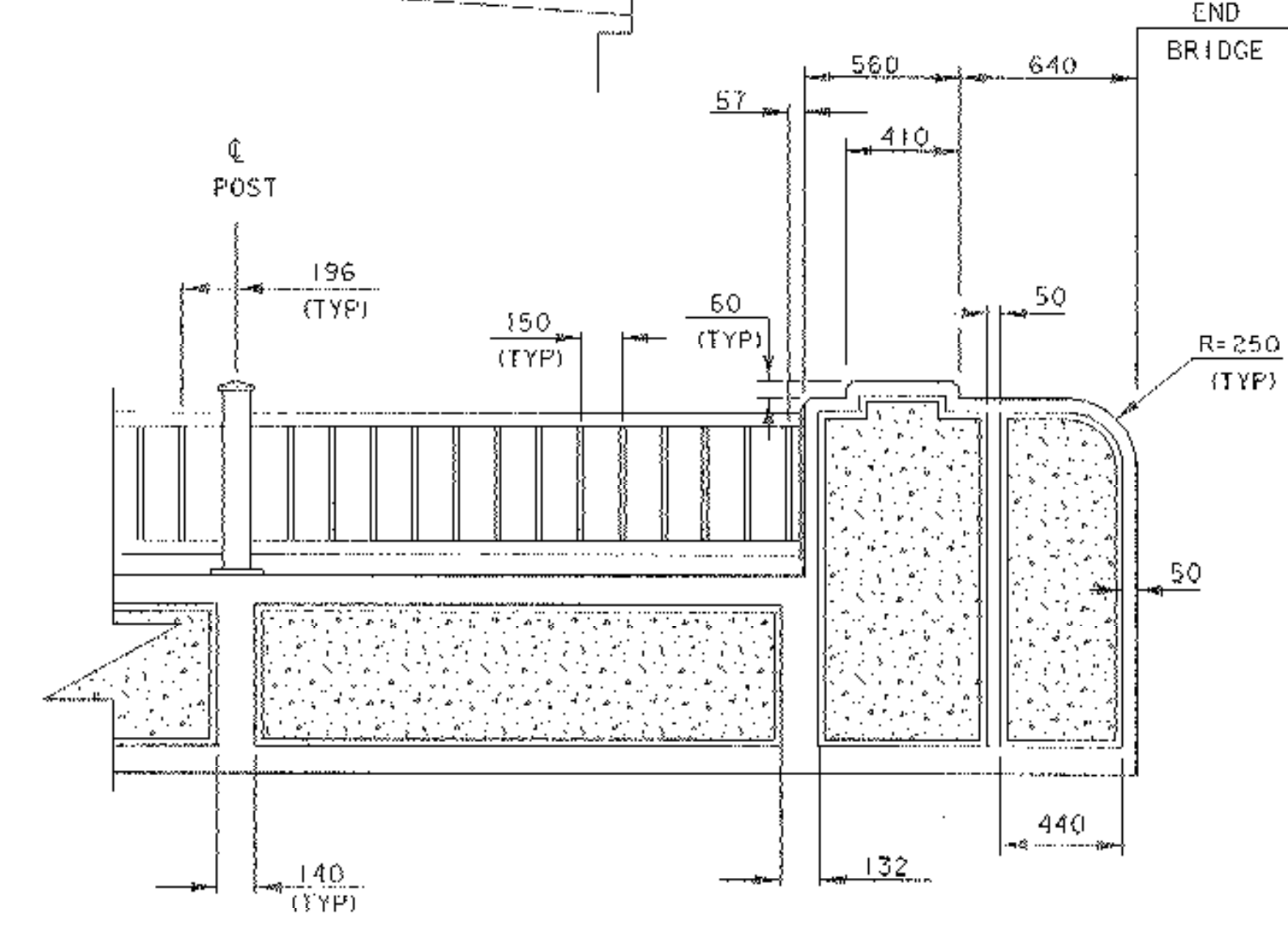


BRIDGE RAIL END BLOCK DETAIL @ BEGIN BRIDGE
EXTERIOR FACE
Scale = 1 : 20



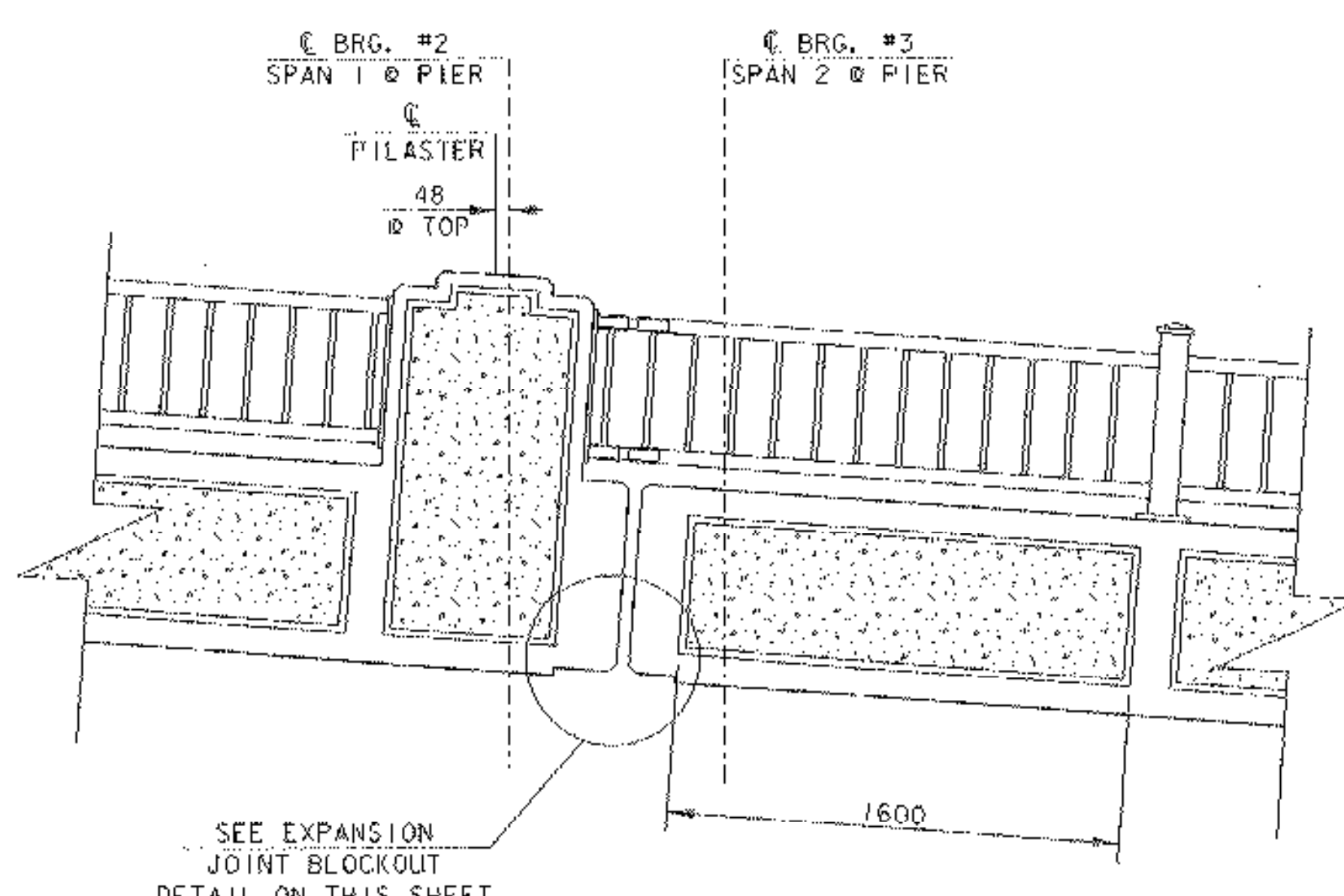
PARTIAL BRIDGE RAIL ELEVATION
MAIN SPAN EXTERIOR FACE
Scale = 1 : 20



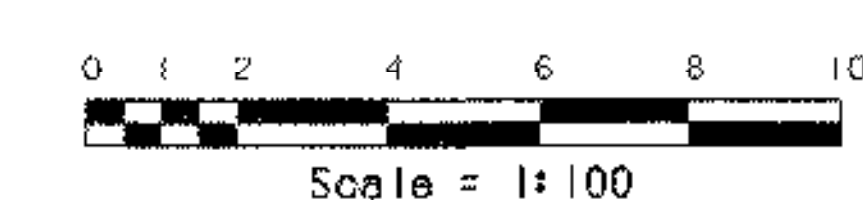
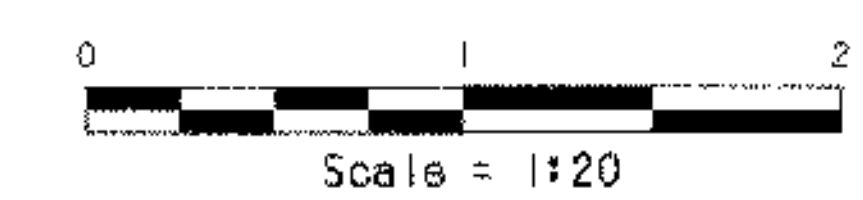
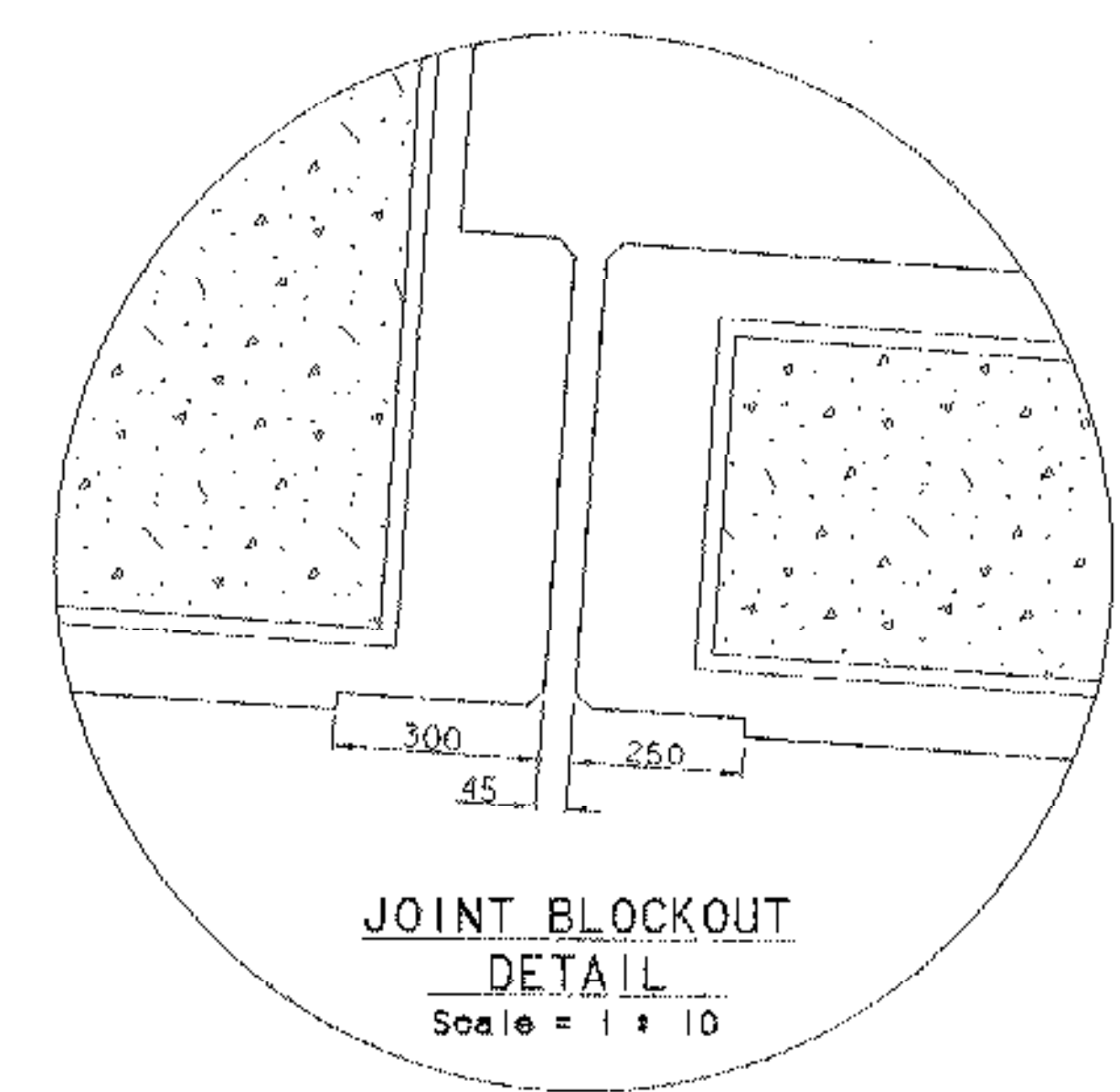
BRIDGE RAIL END BLOCK DETAIL @ END BRIDGE
EXTERIOR FACE
Scale = 1 : 20

GENERAL RAIL NOTES:

1. ALL DIMENSIONS TO FACE OF CONCRETE UNLESS NOTED OTHERWISE.
2. CONCRETE PILASTERS AND END BLOCKS SHALL BE PAID FOR UNDER ITEM 525.50 "CAST IN PLACE CONCRETE BRIDGE RAIL" AND ARE NOT INCLUDED IN METAL RAILING PAY LIMIT MEASUREMENTS.
3. TEXTURED SURFACES SHOWN AS [diagonal hatching] SHALL BE MADE BY USING NATURAL STONE EXPOSED AGGREGATE (NO RUBBED SURFACE REQUIREMENT). COST FOR TEXTURED SURFACES SHALL BE INCIDENTAL TO ITEMS 525.50 "CAST IN PLACE CONCRETE BRIDGE RAIL (MOD)".
4. THE CONTRACTOR SHALL PROVIDE THE RESIDENT ENGINEER WITH A TEST PANEL OF THE EXPOSED AGGREGATE SURFACE FOR APPROVAL OF METHOD AND APPEARANCE PRIOR TO PLACING CONCRETE FOR RAIL.
5. ALL AGGREGATE FOR THE RAIL SHALL BE STOCKPILED PRIOR TO PLACEMENT TO ENSURE UNIFORMITY IN EXPOSED AGGREGATE APPEARANCE.
6. STEEL PIPE FOR POSTS, TOP AND BOTTOM RAIL AND PALINGS SHALL BE SEAMLESS, CONFORMING TO ASTM A53, GRADE B. PLATES SHALL CONFORM TO AASHTO M250.
7. HIGH STRENGTH BOLTS AND NUTS SHALL CONFORM TO AASHTO M164 (ASTM A325) TYPE 1, WASHERS SHALL BE COMMERCIAL GRADE TYPE A PLAIN WIDE AND SHALL MEET THE DIMENSIONAL REQUIREMENTS OF A.N.S.I. B18.22.
8. ALL METAL RAILING POSTS, RAILS, PIPES, SPLICE PIPES, BOLTS, NUTS, AND WASHERS SHALL BE GALVANIZED AFTER FABRICATION IN CONFORMANCE TO AASHTO M252 (ASTM A53) AND AASHTO M111 (ASTM A123) AND PAINTED GREEN (COLOR CHIP #14062). ALL COMPONENTS OF THE METAL RAIL AND ITS FABRICATION SHALL BE PAID FOR UNDER THE ITEM 525.15 "METAL HAND RAILING (BRIDGE)".



BRIDGE RAIL DETAIL @ EXPANSION JOINT
Scale = 1 : 20



PROJECT: BETHEL	PROJECT NO. #: BRF0241 (33) C/2
DESIGN FILE NAME: s02c180/Structures/s02c180rail.dgn	PLOT DATE: 14-APR-2005
IPARM FILE NAME: s02c180rail.i	DESIGNED BY: K.M. HIGGINS
SQUAD LEADER: C.P. WILLIAMS	CHECKED BY: K.M. HIGGINS
BRIDGE RAIL DIMENSIONS:	SHEET: 75 OF 130