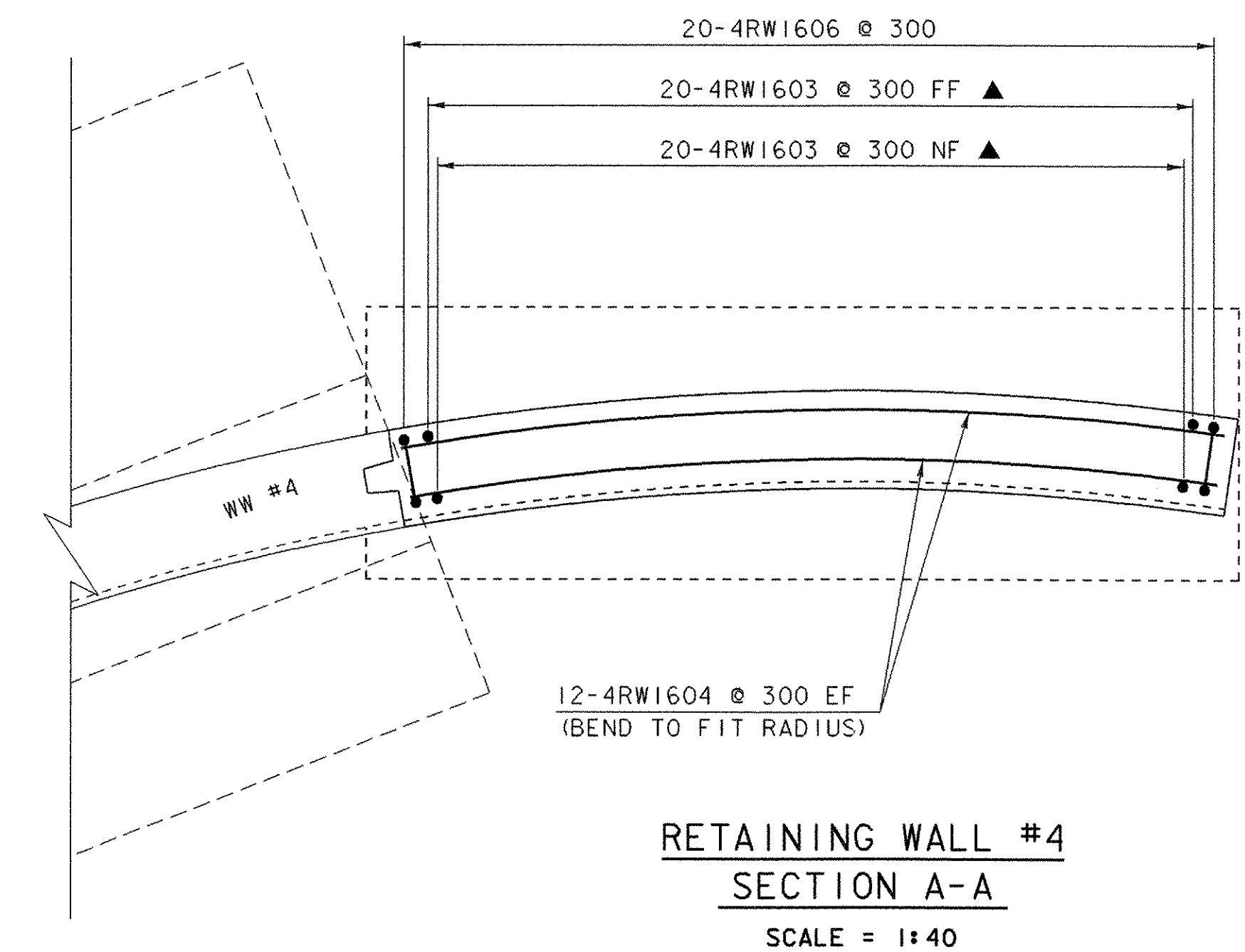


* CLEAR COVER INCLUDES 30 mm FOR MAXIMUM FORM LINER RELIEF

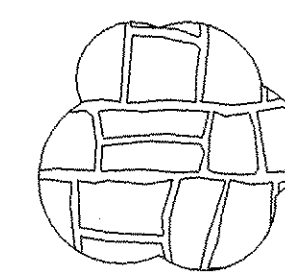
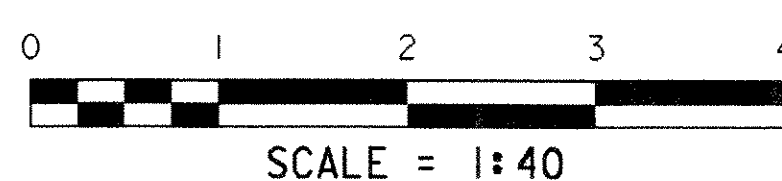
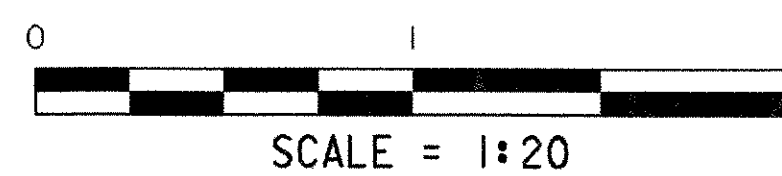


NOTES:

- NF = NEAR FACE
- FF = FAR FACE
- EF = EACH FACE
- ▲ = CUT TO FIT IN FIELD

80mm CLEAR UNLESS OTHERWISE SPECIFIED ON PLANS

ALL LAPS ARE 660mm UNLESS OTHERWISE SPECIFIED ON PLANS



RUSTIC ASHLAR CUSTOM
ROCK #11003 OR EQUIVALENT
FORM LINERS AS SPECIFIED
CONTINUE 150mm BELOW
GROUND LEVEL

PROJECT: BETHEL	PROJECT NO.: BRF0241 (33) C/2
DESIGN FILE NAME: 02c180/structures/s02c180retainwall.dgn	IPARM FILE NAME: s02c180retwall14.i
DESIGNED BY: E.L.RUSTAY	DRAWN BY: E.L.RUSTAY
SQUAD LEADER: C.P.WILLIAMS	CHECKED BY: K.M.HIGGINS
RETAINING WALL #4 DETAILS	SHEET: 71 OF 130