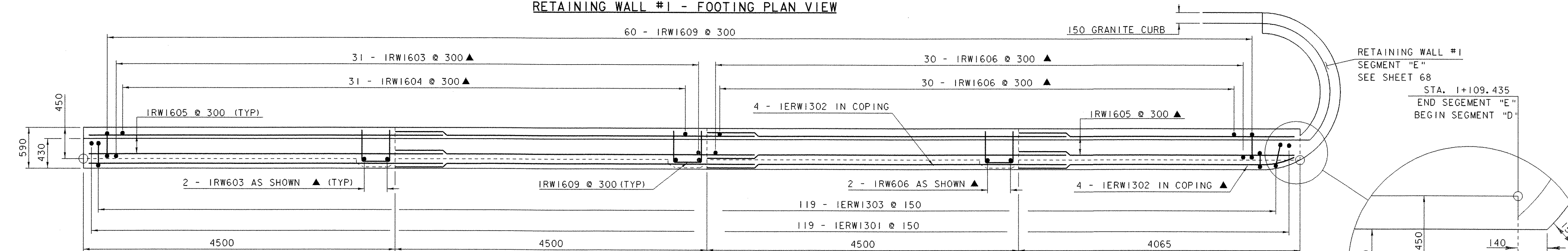


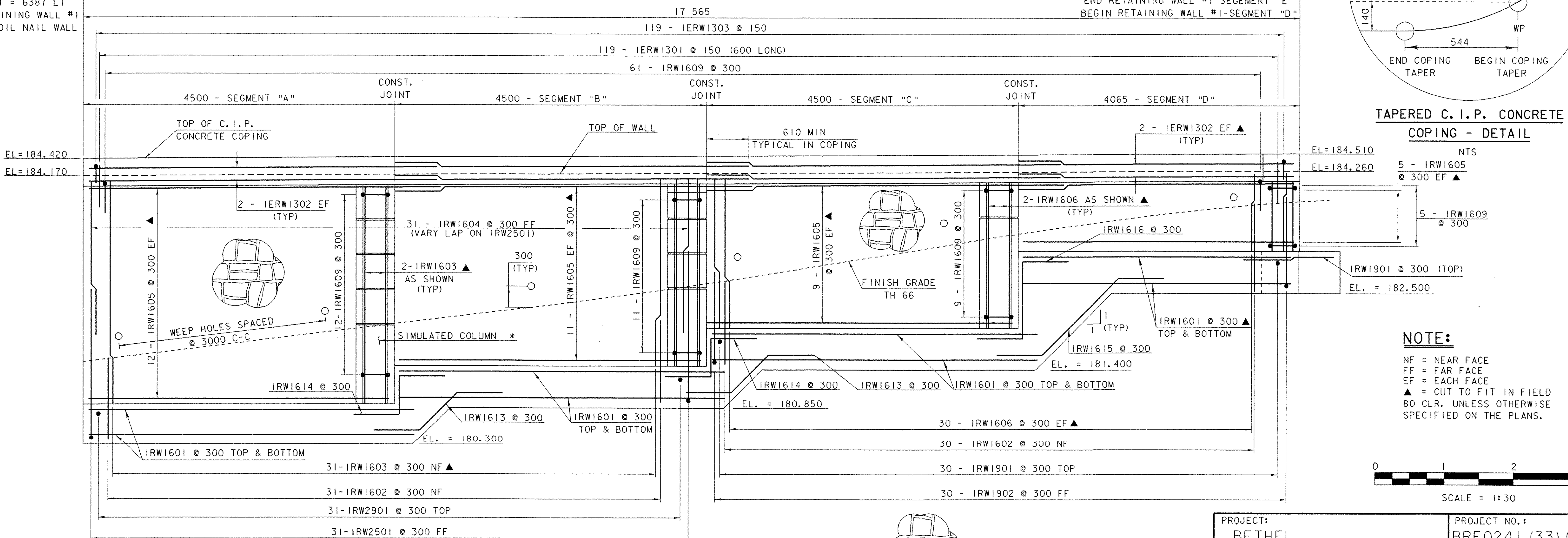
RETAINING WALL #1 - FOOTING PLAN VIEW



RETAINING WALL #1 - STEM PLAN VIEW

STA. 1+127.000
OFFSET = 6387 LT
END RETAINING WALL #1
BEGIN SOIL NAIL WALL

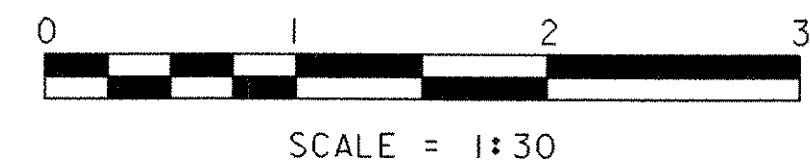
STA. 1+109.435
OFFSET = 6387 LT
END RETAINING WALL #1 SEGMENT "E"
BEGIN RETAINING WALL #1-SEGMENT "D"



RETAINING WALL #1 - ELEVATION VIEW

TAPERED C. I. P. CONCRETE COPING - DETAIL

NOTE:
NF = NEAR FACE
FF = FAR FACE
EF = EACH FACE
▲ = CUT TO FIT IN FIELD
80 CLR. UNLESS OTHERWISE SPECIFIED ON THE PLANS.



* SIMULATED COLUMN DIMENSIONS AND SCOREMARK LOCATION TO MATCH PREFABRICATED SLIP JOINT COVER ON THE MSE WALL.

RUSTIC ASHLAR CUSTOM ROCK #11003 OR EQUIVALENT FORM LINERS AS SPECIFIED CONTINUE 150mm BELOW GROUND LEVEL

PROJECT: BETHEL	PROJECT NO.: BRF0241 (33) C/2
DESIGN FILE NAME: s02c180/structures/s02c180retainwall.dgn	IPARM FILE NAME: s02c180retwall-1
DESIGNED BY: M. GAGULIC	PLLOT DATE: 14-APR-2005
SQUAD LEADER: C.P. WILLIAMS	DRAWN BY: M. FESSEL
RETAINING WALL #1 DETAILS	CHECKED BY: M. GAGULIC
	SHEET: 67 OF 130