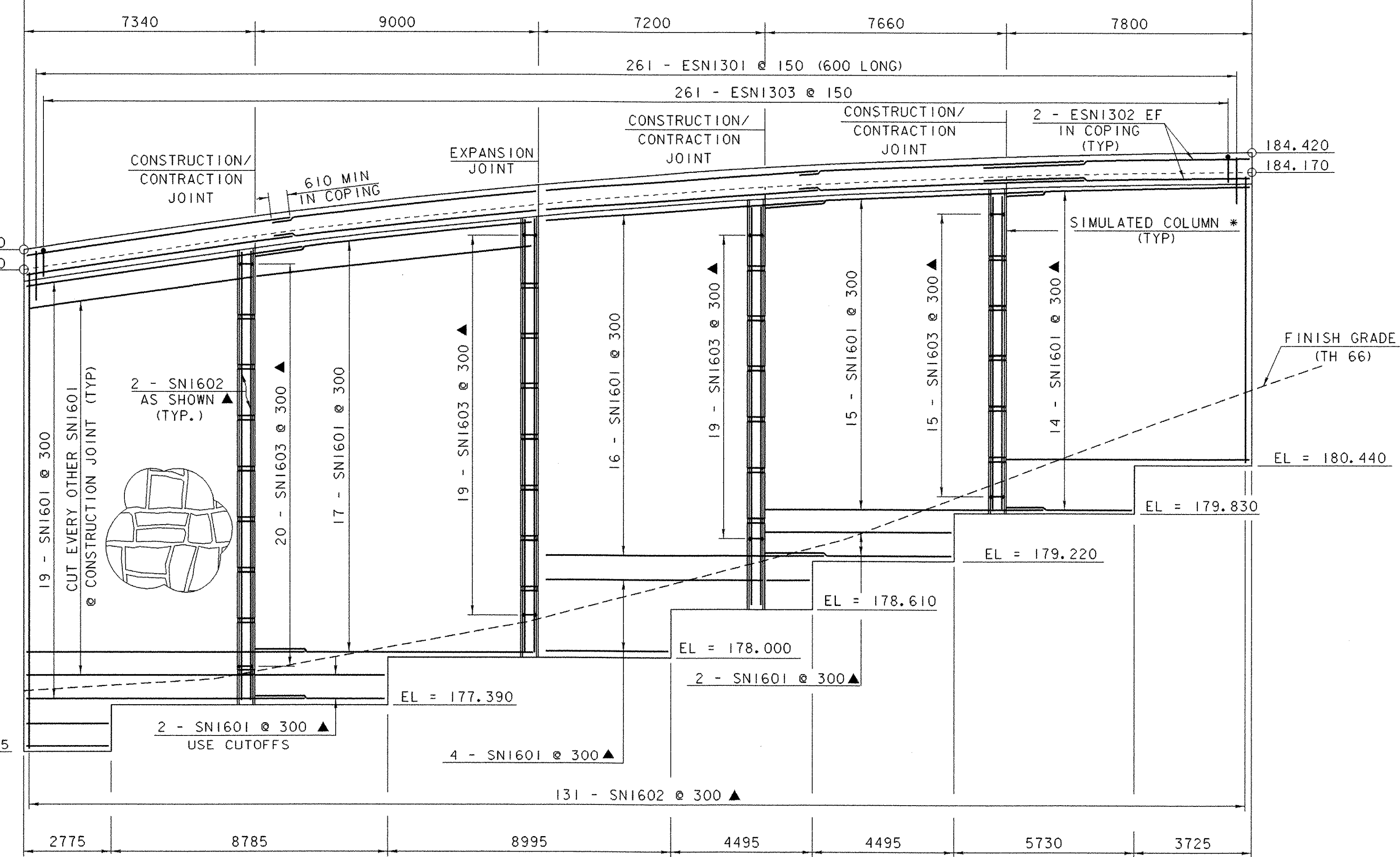


SOIL NAIL WALL - PLAN VIEW

HORIZONTAL SCALE = 1:100
VERTICAL SCALE = 1:25

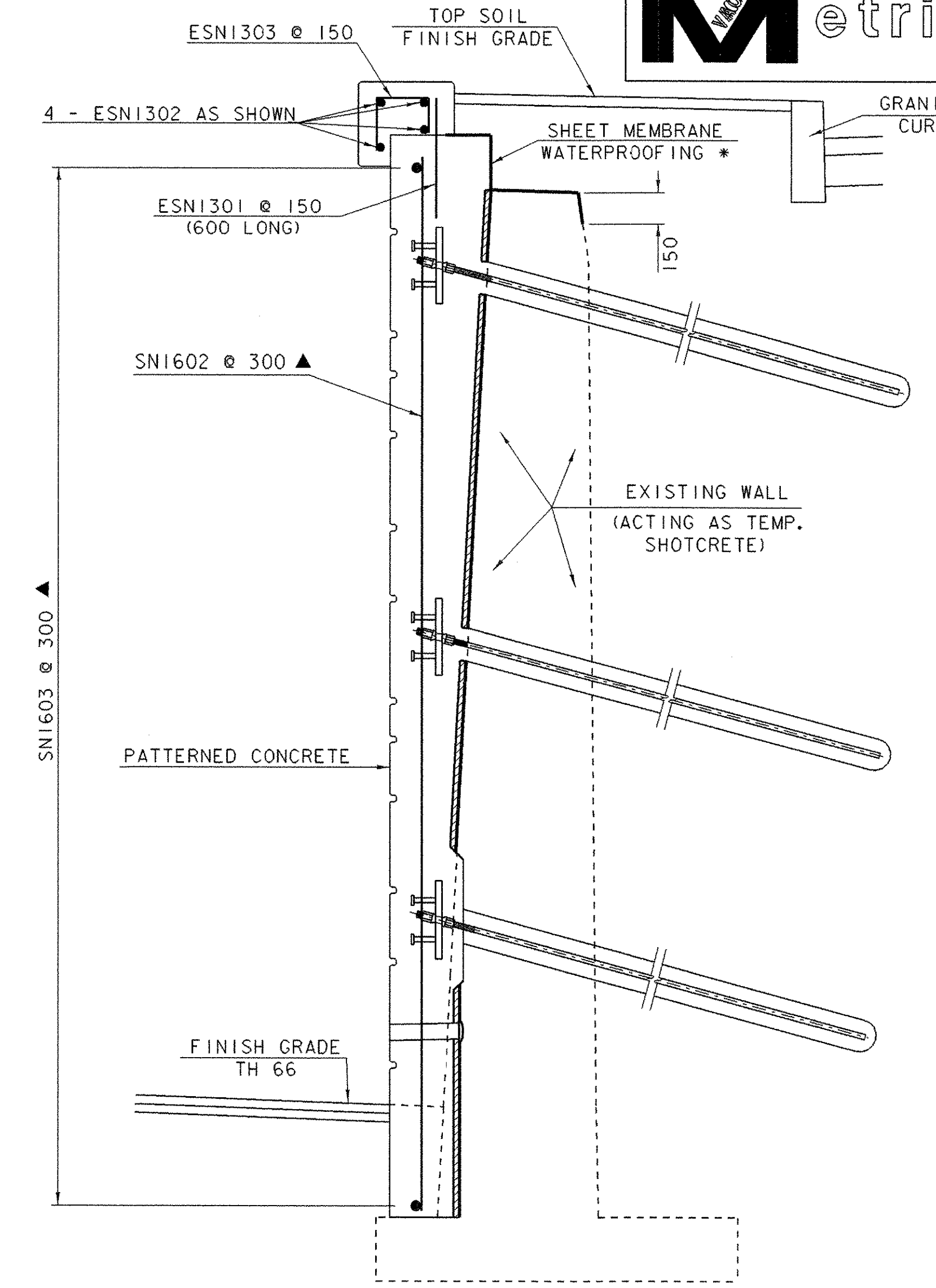
STATIONING



SOIL NAIL WALL - ELEVATION VIEW

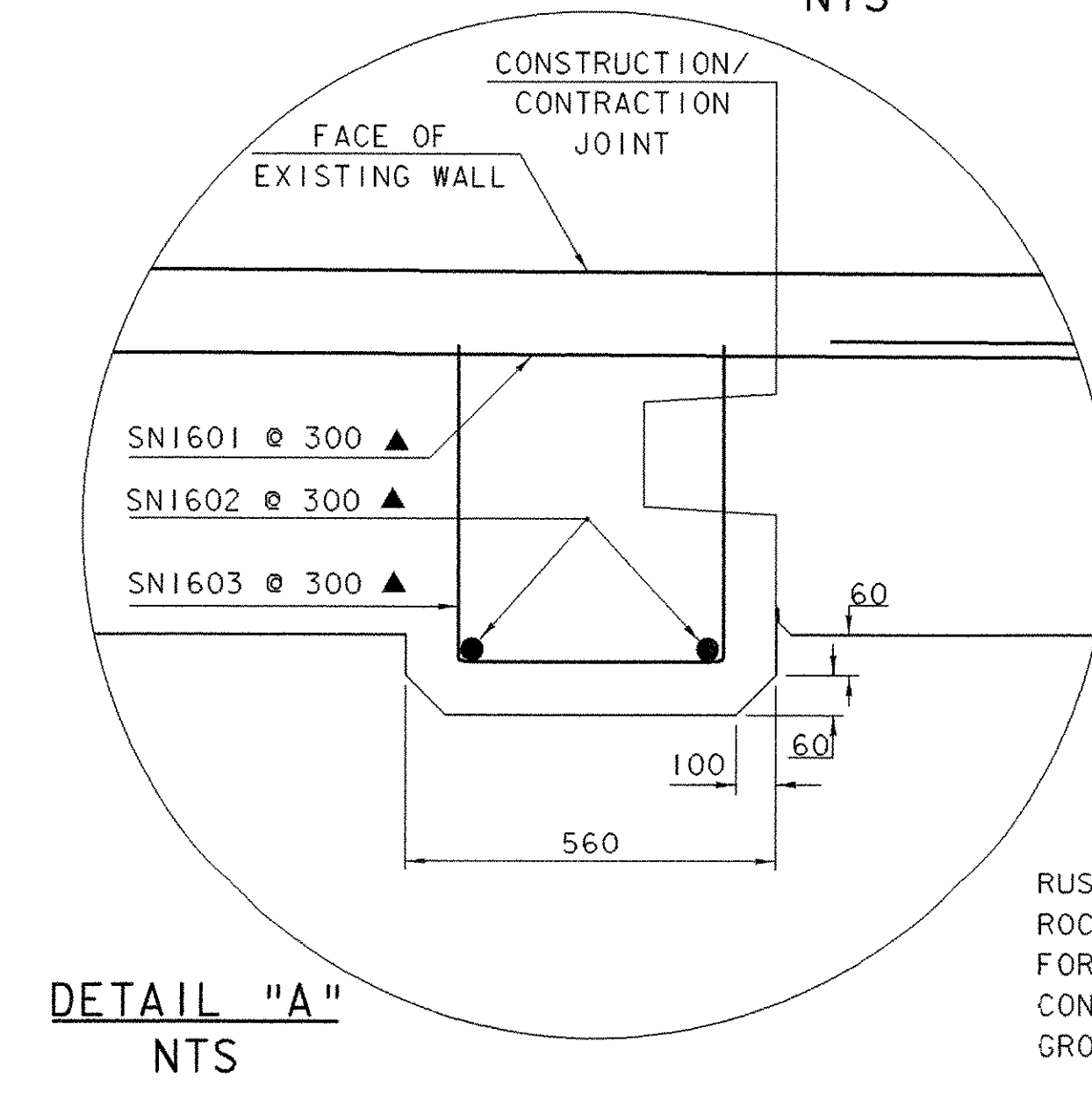
HORIZONTAL SCALE = 1:100
VERTICAL SCALE = 1:40

* SIMULATED COLUMN DIMENSIONS AND SCOREMARK LOCATION TO MATCH PREFABRICATED SLIP JOINT COVER ON THE MSE WALL.



* SHEET MEMBRANE WATERPROOFING SHALL BE INCIDENTAL TO ITEM 501.34 "CONCRETE-HIGH PERFORMANCE CLASS B"

SOIL NAIL WALL TYPICAL SECTION
NTS



DETAIL "A"
NTS

RUSTIC ASHLAR CUSTOM ROCK #11003 OR EQUIVALENT FORM LINERS AS SPECIFIED CONTINUE 150mm BELOW GROUND LEVEL

NOTE:

NF = NEAR FACE
FF = FAR FACE
EF = EACH FACE
▲ = CUT TO FIT IN FIELD
80 CLR. UNLESS OTHERWISE SPECIFIED ON THE PLANS.

PROJECT: BETHEL	PROJECT NO.: BRF0241 (33) C/2
DESIGN FILE NAME: 02c180/structures/s02c180soilnail.dgn	IPARM FILE NAME: s02c180soilnail4
DESIGNED BY: M. GAGULIC	DRAWN BY: M. FESSEL
SQUAD LEADER: C.P. WILLIAMS	CHECKED BY: M. GAGULIC
SOIL NAIL WALL REINFORCING	SHEET: 66 OF 130