

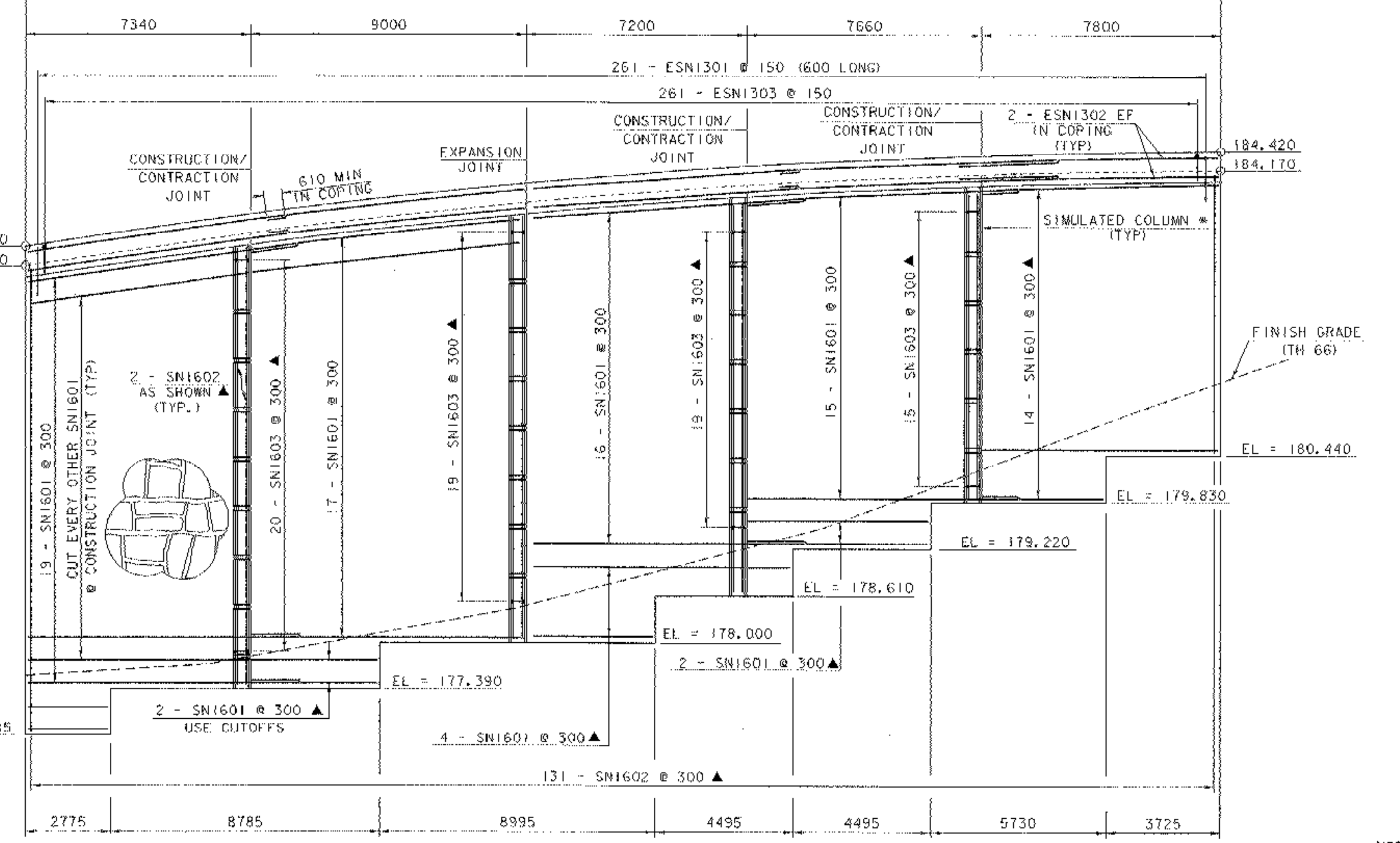
SOIL NAIL WALL - PLAN VIEW

HORIZONTAL SCALE = 1:100
VERTICAL SCALE = 1:25

STATIONING

STA. 1+166.000
OFFSET 6527 mm LT
END SOIL NAIL WALL
BEGIN MSE WALL

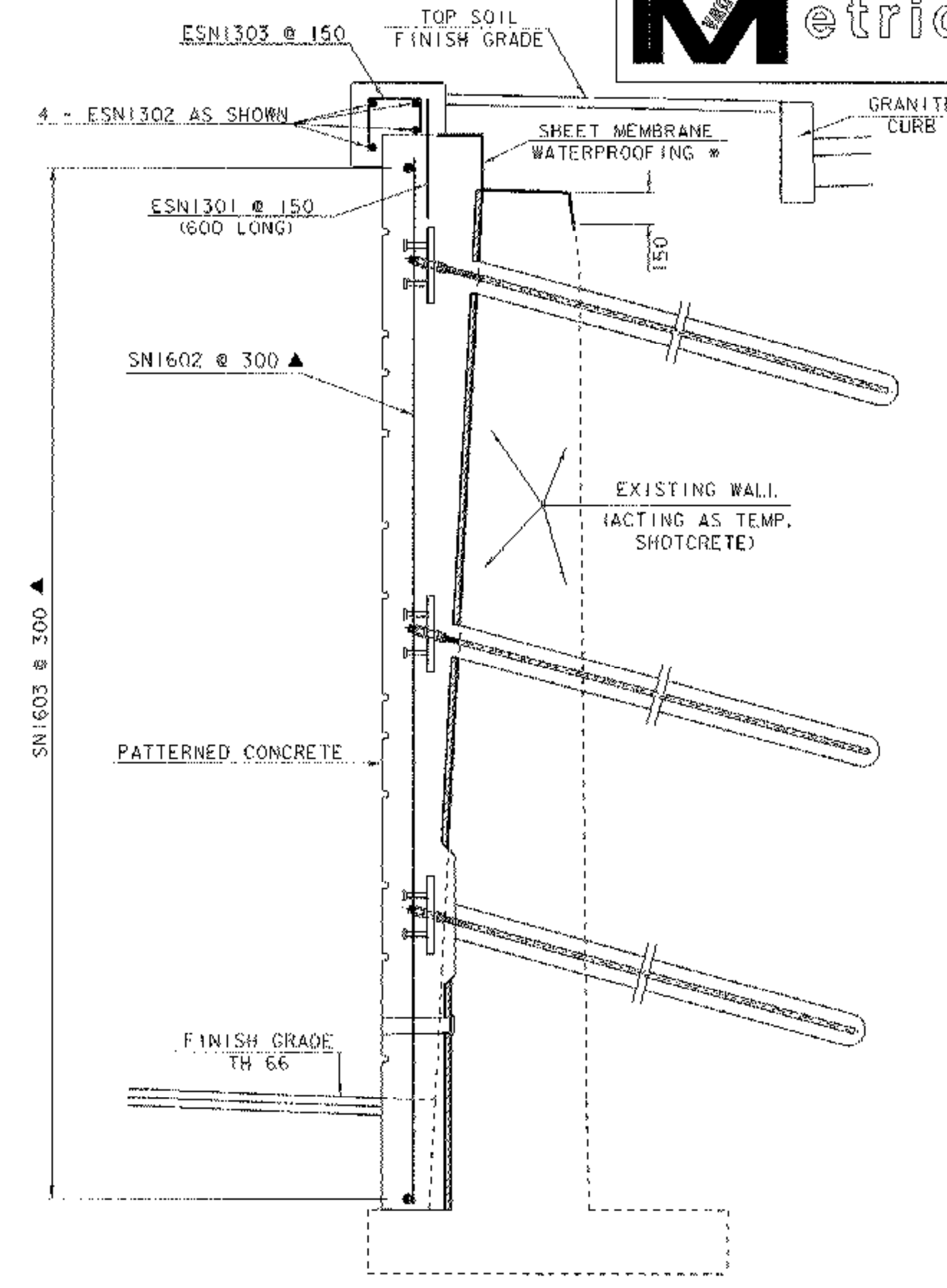
STA. 1+127.000
OFFSET 5237 mm LT
END RETAINING WALL #1
BEGIN SOIL NAIL WALL



SOIL NAIL WALL - ELEVATION VIEW

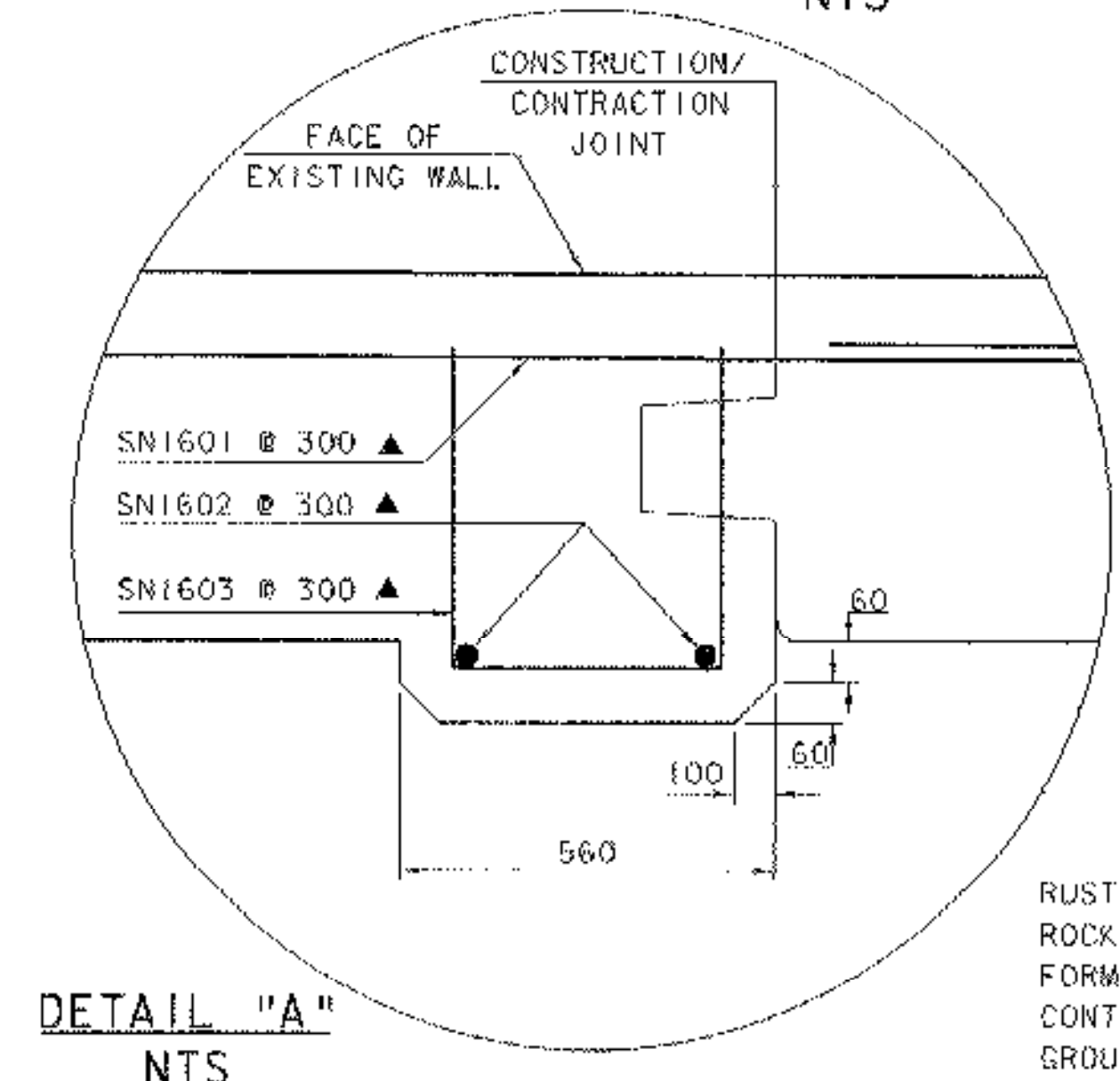
HORIZONTAL SCALE = 1:100
VERTICAL SCALE = 1:40

* SIMULATED COLUMN DIMENSIONS AND SCOREMARK LOCATION TO MATCH PREFABRICATED SLIP JOINT COVER ON THE MSE WALL.



SOIL NAIL WALL TYPICAL SECTION
NTS

* SHEET MEMBRANE WATERPROOFING SHALL BE INCIDENTAL TO ITEM 501.34 "CONCRETE-HIGH PERFORMANCE CLASS B"



DETAIL "A"
NTS

RUSTIC ASHLAR CUSTOM ROCK #11003 OR EQUIVALENT FORM LINERS AS SPECIFIED CONTINUE 150mm BELOW GROUND LEVEL.

NOTES:

- NF = NEAR FACE
- FF = FAR FACE
- EF = EACH FACE
- ▲ = CUT TO FIT IN FIELD
- 80 CLR. UNLESS OTHERWISE SPECIFIED ON THE PLANS.

PROJECT:	BETHEL	PROJECT NO.:	BRF0241 (33) C/2
DESIGN FILE NAME:	02c180/structures/s02c180soilna1.dgn	DESIGNED BY:	M. GAGULIC
IPARM FILE NAME:	s02c180soilna114	DESIGNED BY:	M. GAGULIC
DESIGNED BY:	M. GAGULIC	DESIGNED BY:	M. FESSEL
SQUAD LEADER:	C.P. WILLIAMS	CHECKED BY:	M. GAGULIC
SOIL NAIL WALL REINFORCING		SHEET:	66 OF 130