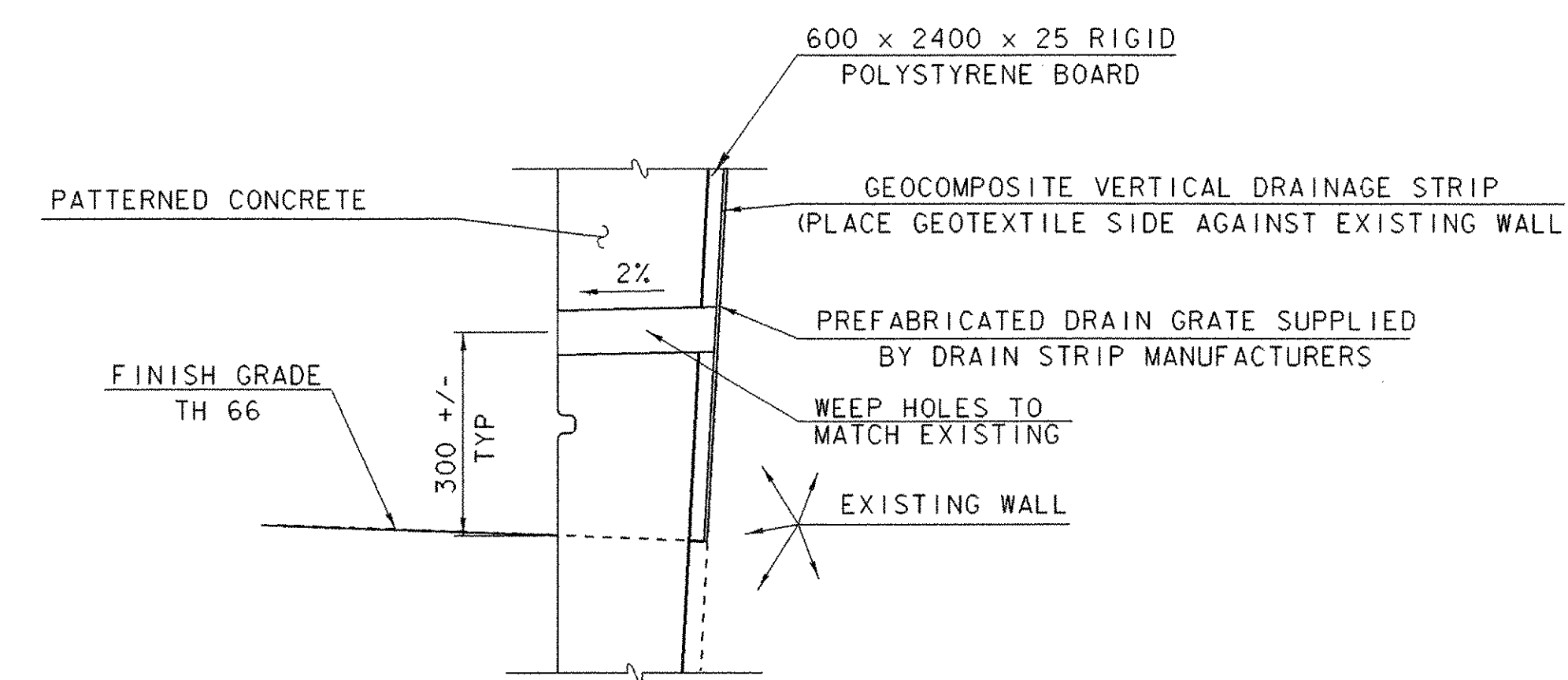
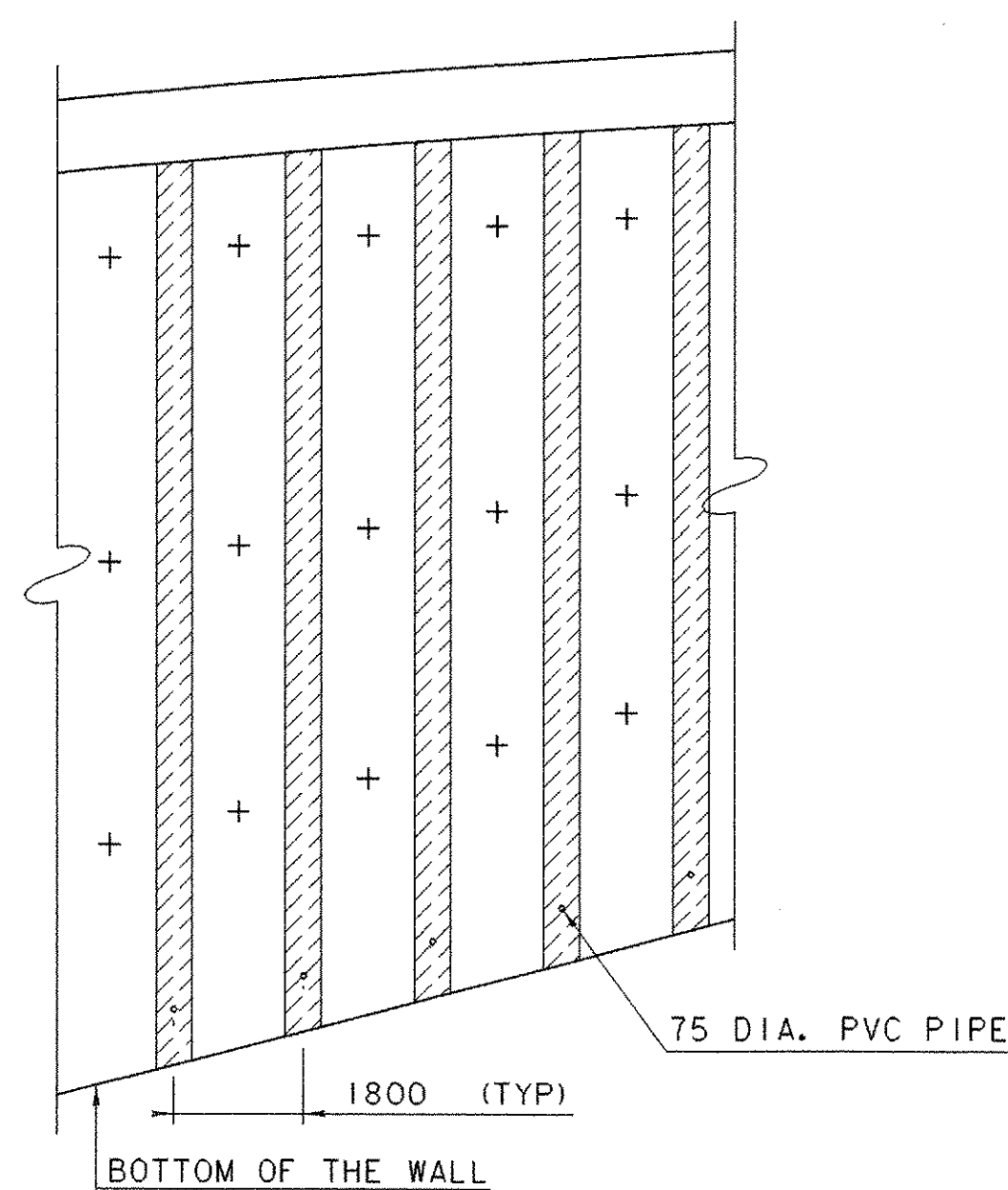


TYPICAL FINISHED WALL SECTION
NTS

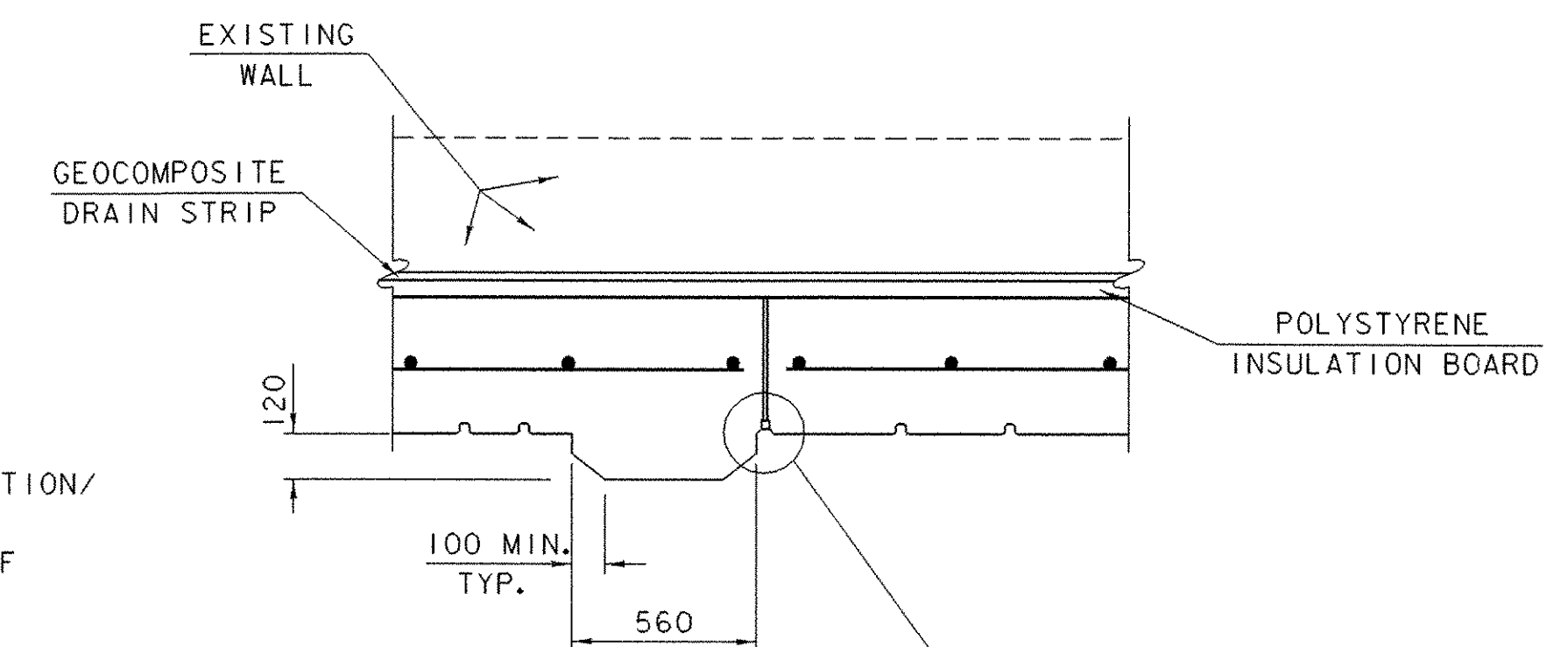


TYPICAL WALL BASE DRAIN
NTS

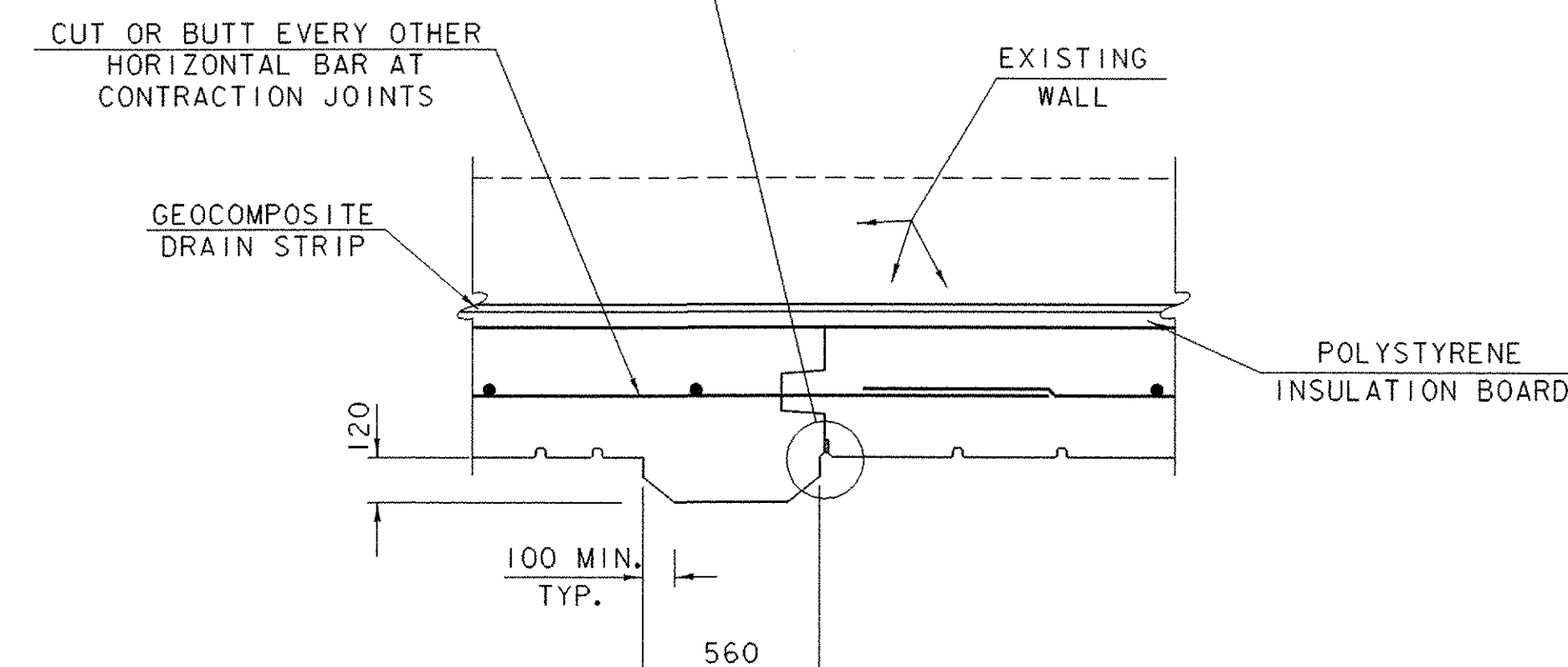
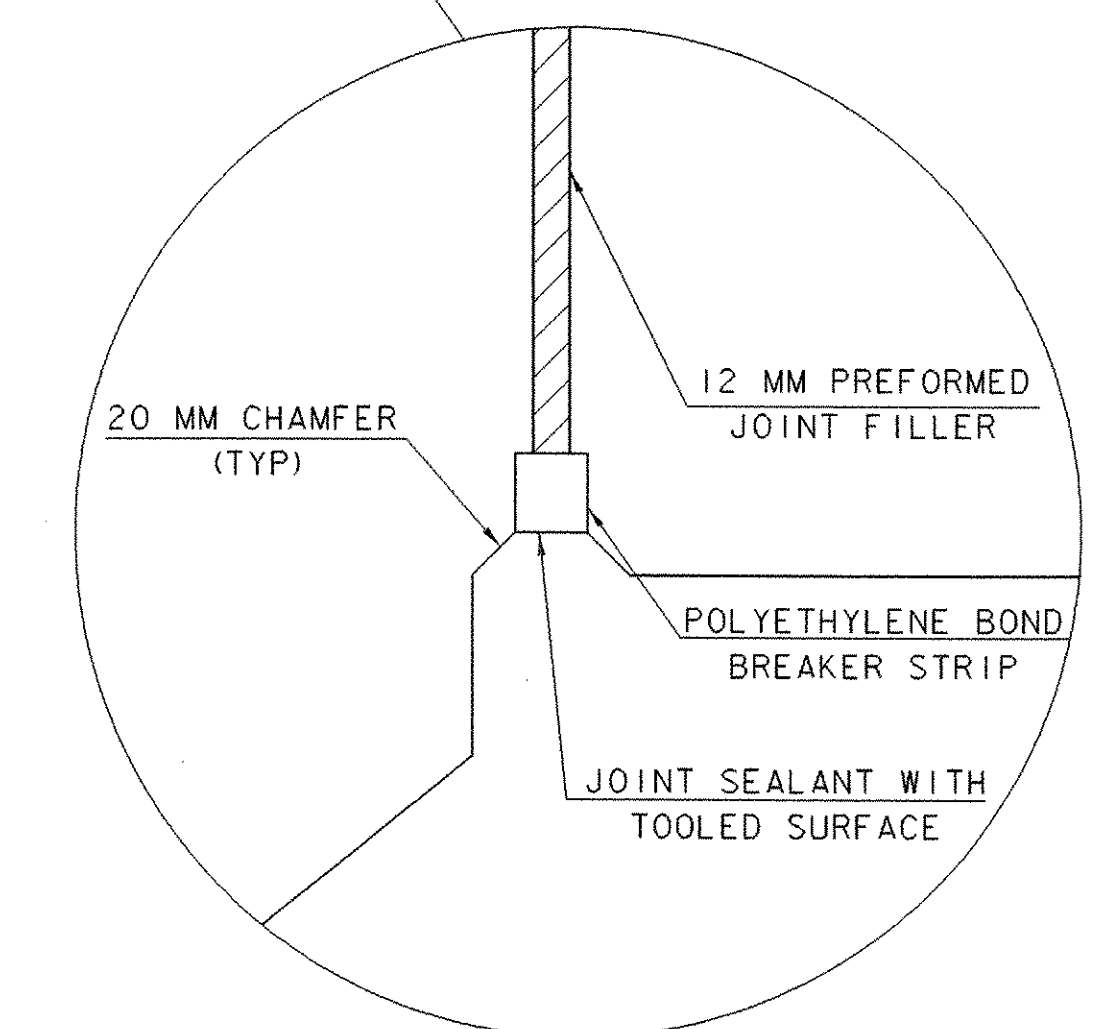
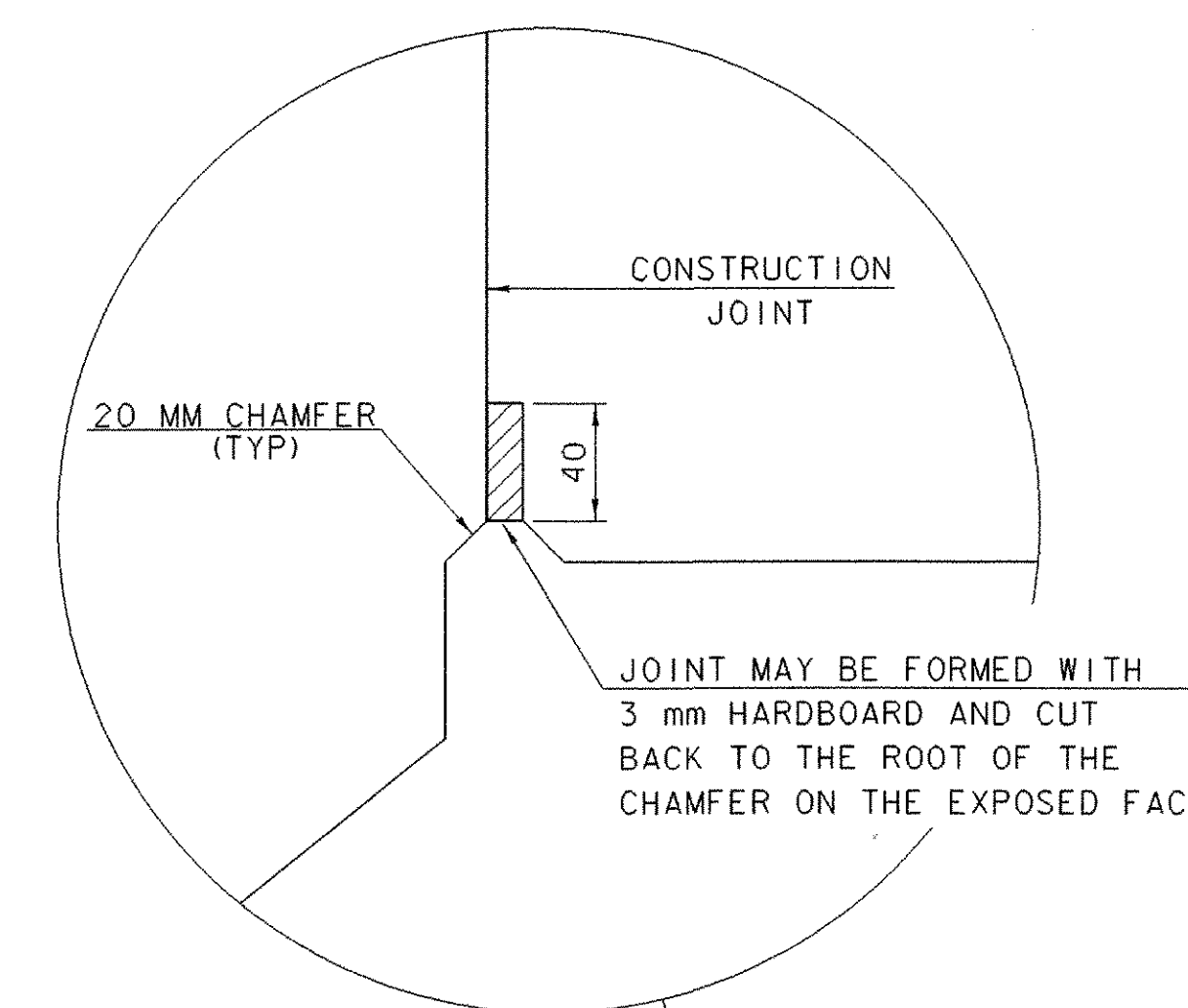


GEOCOMPOSITE DRAINAGE STRIP DETAIL
NTS

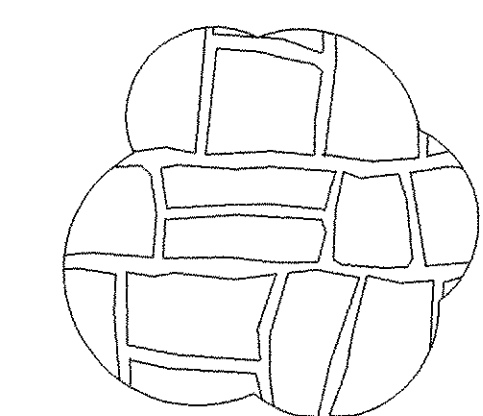
NOTE:
EXPANSION JOINT IN WALL TO BE CENTERED BETWEEN NAILS, CONSTRUCTION/CONTRACTION JOINTS IN WALL TO BE LOCATED AT THE MAXIMUM SPACING OF 9000mm CENTER TO CENTER.



EXPANSION JOINT - TYP
NTS



VERTICAL CONSTRUCTION/CONTRACTION JOINT
NTS



PATTERN SHALL BE RUSTIC ASHLAR CUSTOM ROCK #11003 OR EQUIVALENT FORM LINERS AS SPECIFIED CONTINUE 150mm BELOW GROUND LEVEL

PROJECT: BETHEL	PROJECT NO.: BRF0241 (33) C/2
DESIGN FILE NAME: 02c180/structures/s02c180soilnail.dgn	IPARM FILE NAME: s02c180soilnail13. PLOT DATE: 14-APR-2005
DESIGNED BY: M. GAGULIC	DRAWN BY: M. GAGULIC
SQUAD LEADER: C.P. WILLIAMS	CHECKED BY: K.M. HIGGINS
SOIL NAIL WALL DETAILS - 3	SHEET: 65 OF 130