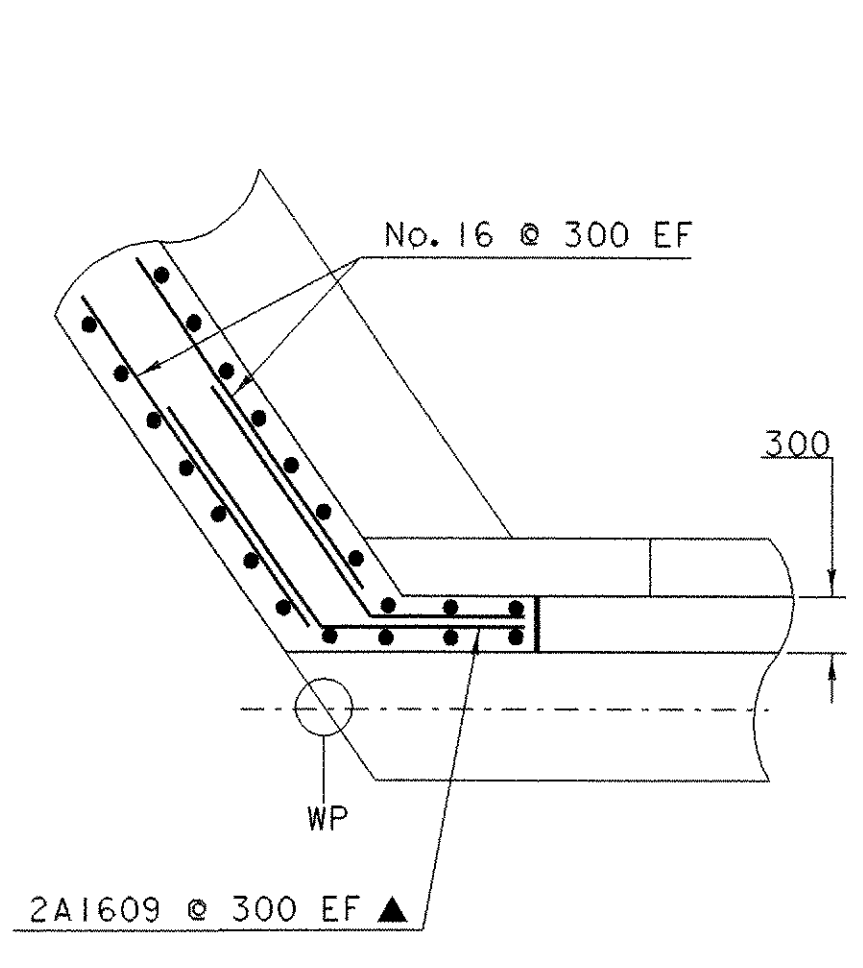
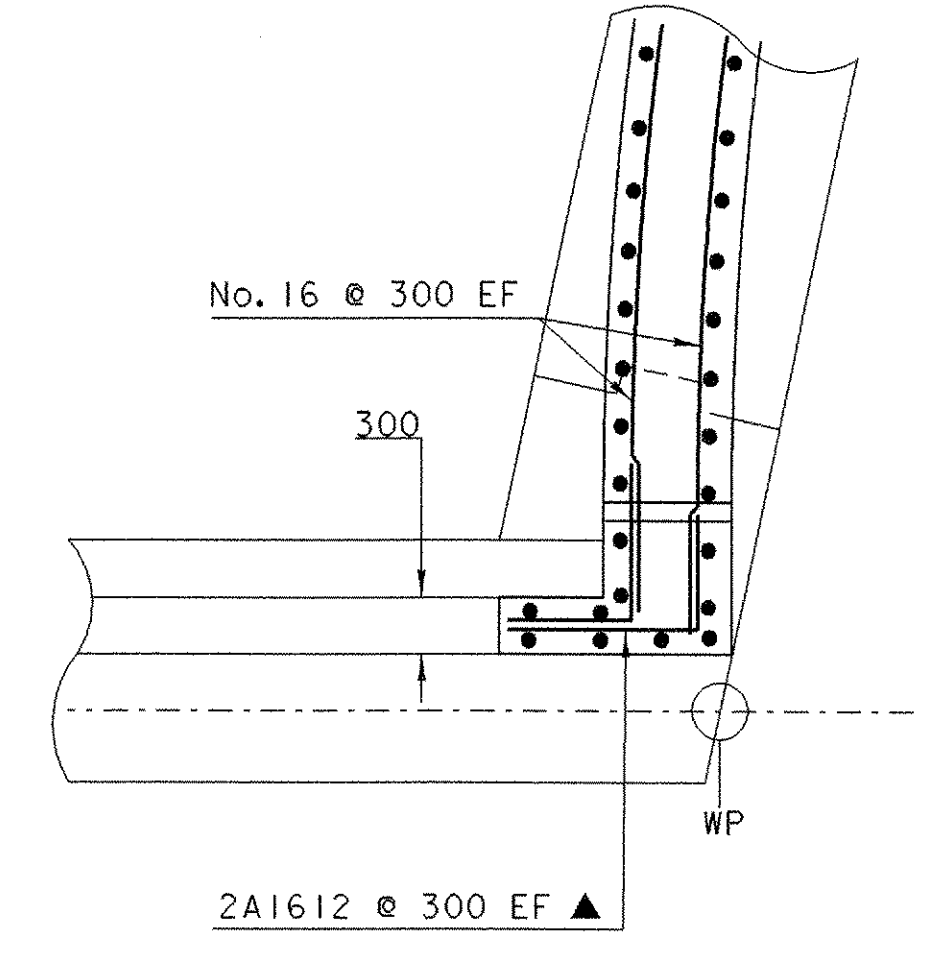


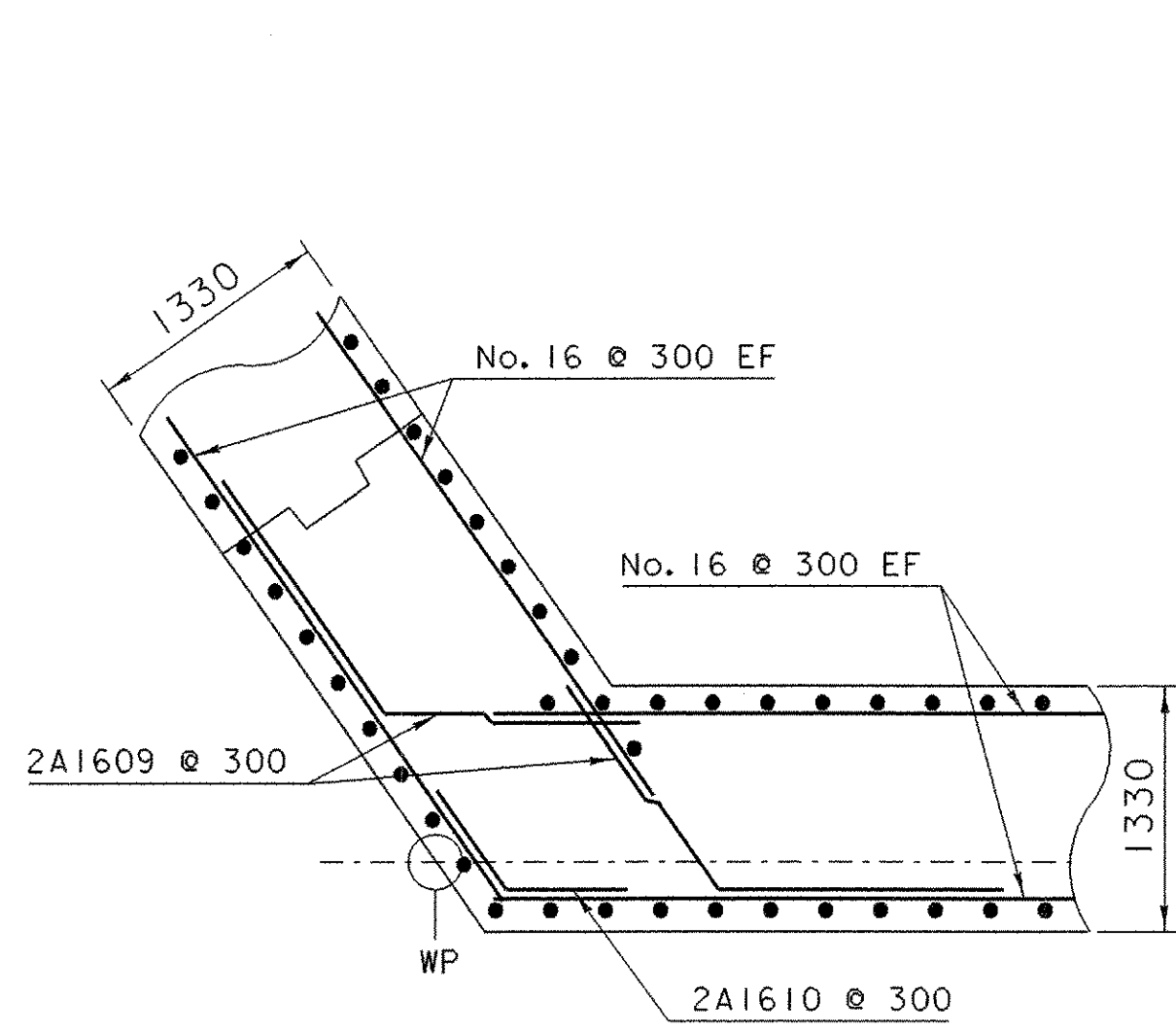
**ABUTMENT #2  
FOOTING PLAN  
SCALE 1:50**



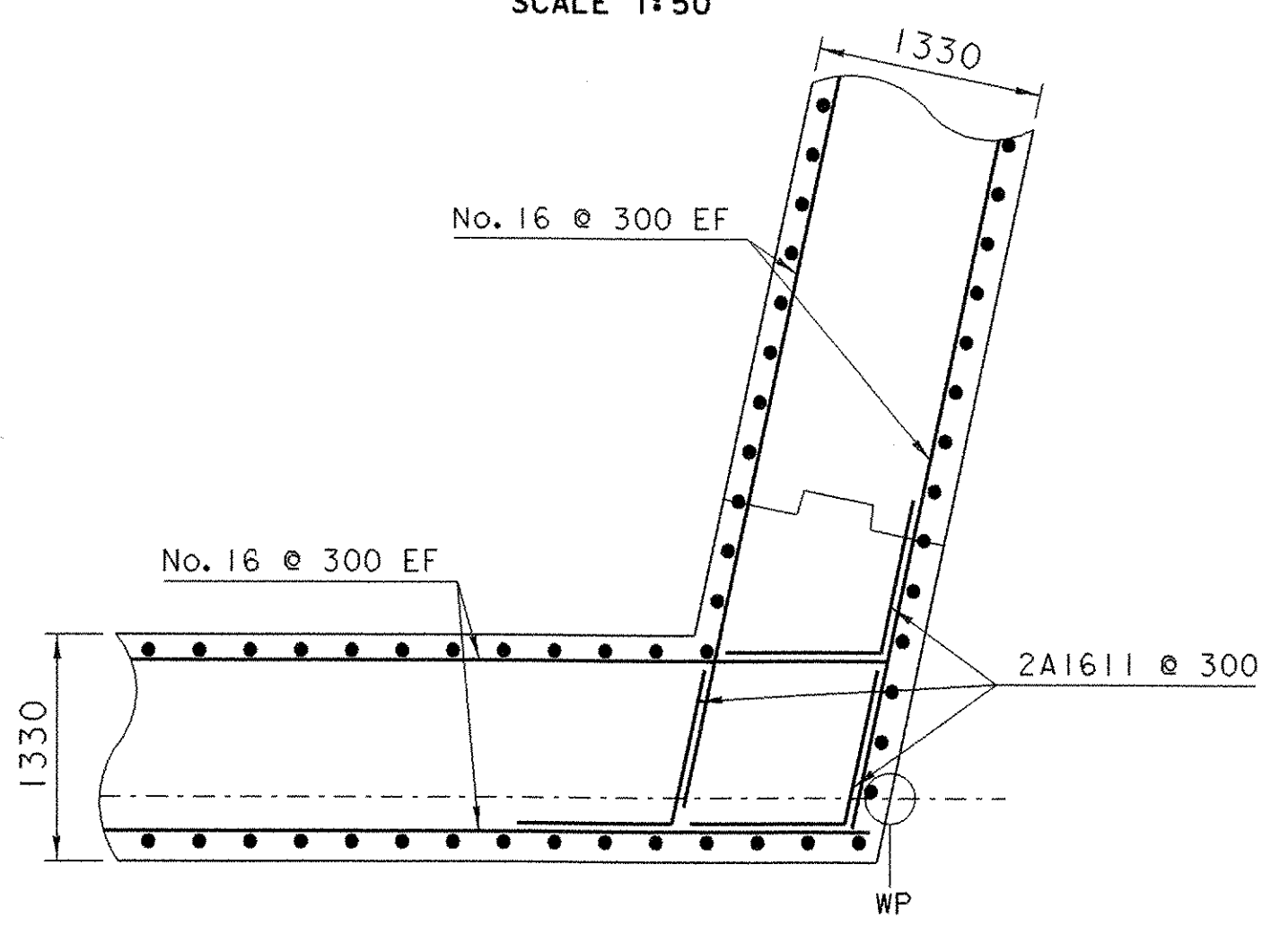
**WINGWALL #3 CORNER DETAIL  
ABOVE BRIDGE SEAT  
SCALE 1:40**



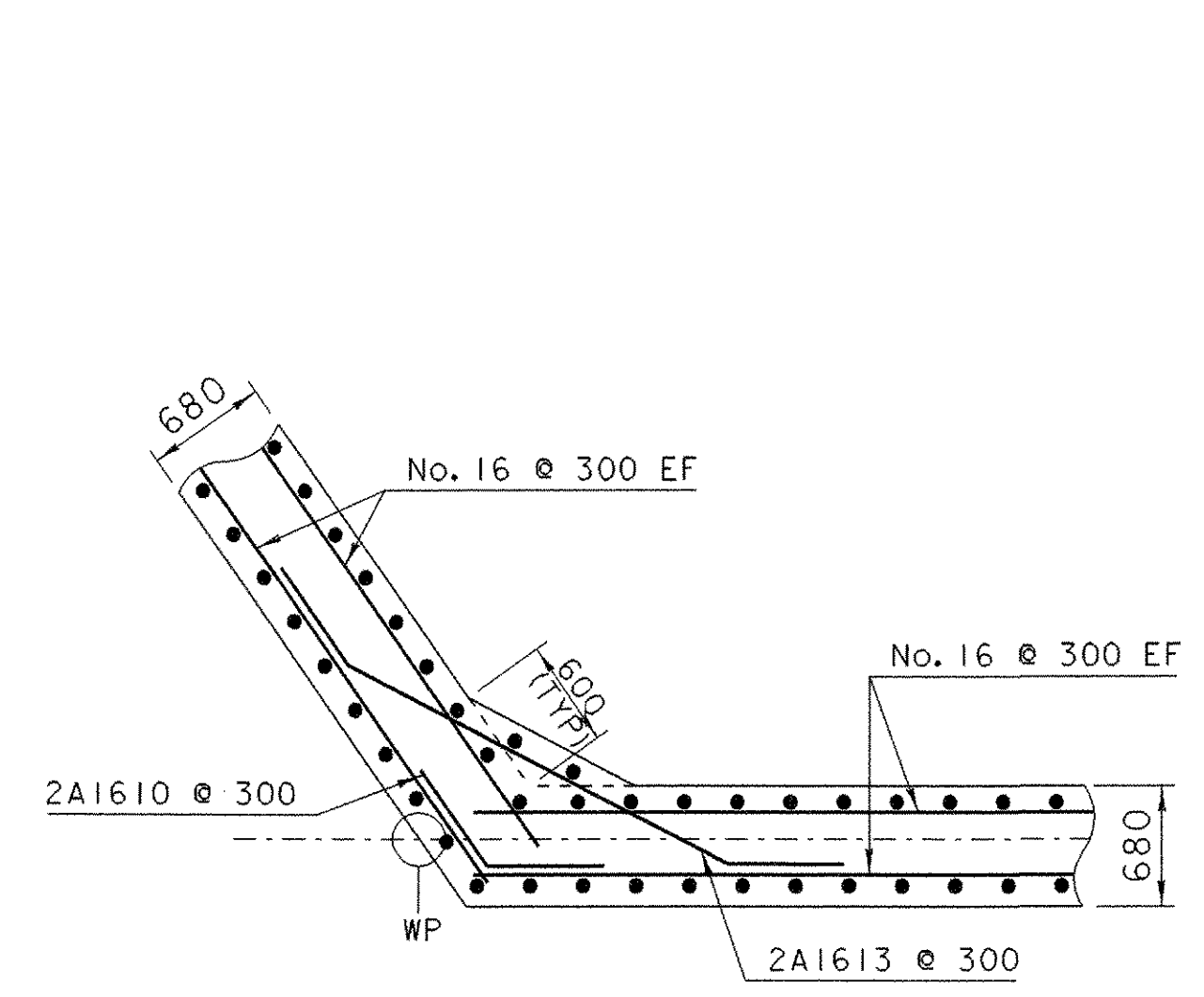
**WINGWALL #4 CORNER DETAIL  
ABOVE BRIDGE SEAT  
SCALE 1:40**



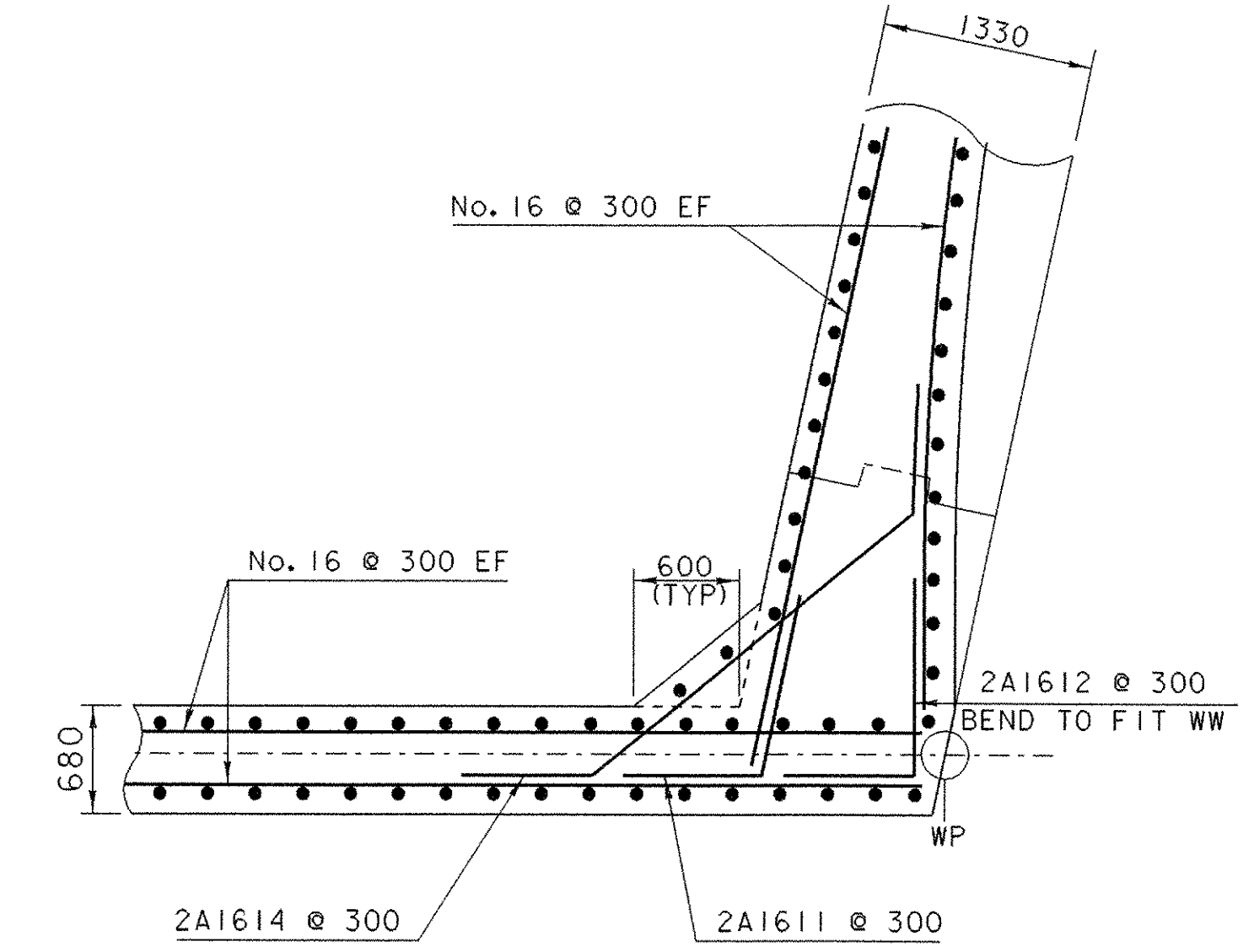
**WINGWALL #3 CORNER DETAIL  
BELOW BRIDGE SEAT (THICK STEM)  
SCALE 1:40**



**WINGWALL #4 CORNER DETAIL  
BELOW BRIDGE SEAT (THICK STEM)  
SCALE 1:40**



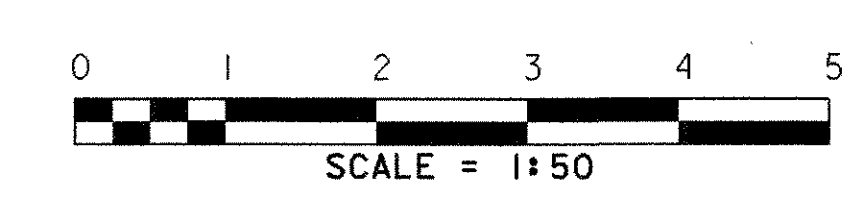
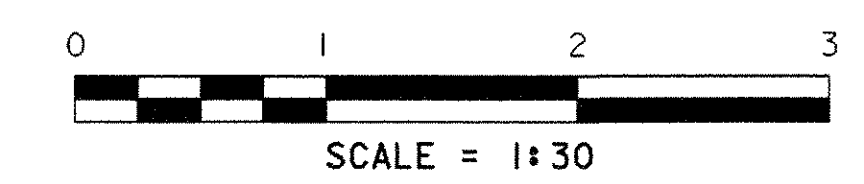
**WINGWALL #3 CORNER DETAIL  
BELOW BRIDGE SEAT (THIN STEM)  
SCALE 1:40**



**WINGWALL #4 CORNER DETAIL  
BELOW BRIDGE SEAT (THIN STEM)  
SCALE 1:40**

**NOTES:**

- NF = NEAR FACE
- FF = FAR FACE
- EF = EACH FACE
- ▲ = CUT TO FIT IN FIELD
- 80mm CLEAR UNLESS OTHERWISE SPECIFIED ON PLANS
- ALL LAPS ARE 660mm UNLESS OTHERWISE SPECIFIED ON PLANS



PROJECT: <b>BETHEL</b>	PROJECT NO.: <b>BRF0241 (33) C/2</b>
DESIGN FILE NAME: 02c180/structures/s02c180abut2.dgn	PLOT DATE: 15-APR-2005
IPARM FILE NAME: s02c180ftg2.i	DRAWN BY: E.L.RUSTAY
DESIGNED BY: M.GAGULIC	CHECKED BY: M.GAGULIC
SQUAD LEADER: C.P.WILLIAMS	
ABUTMENT #2 FOOTING REINFORCEMENT SHEET: 59 OF 130	