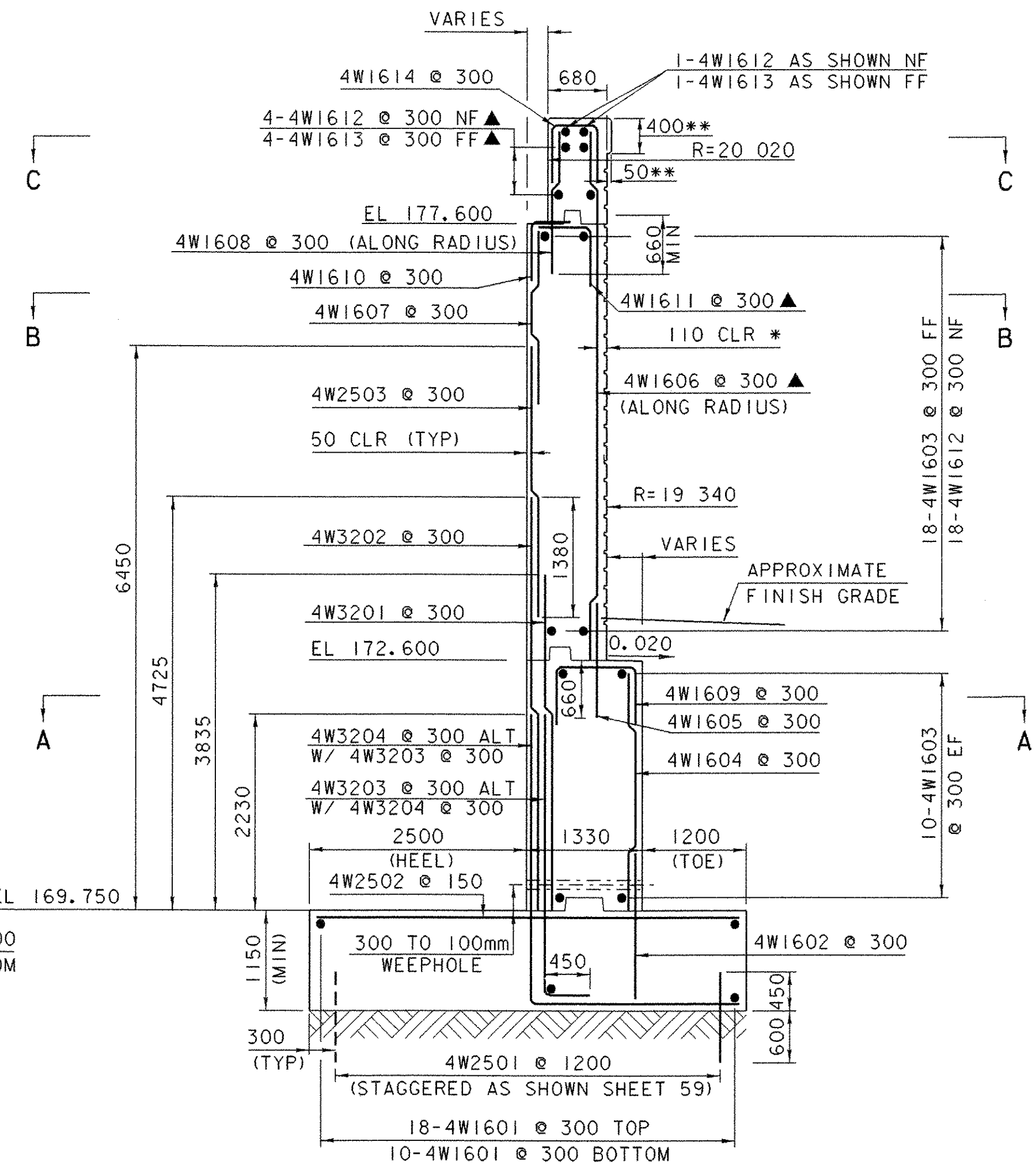
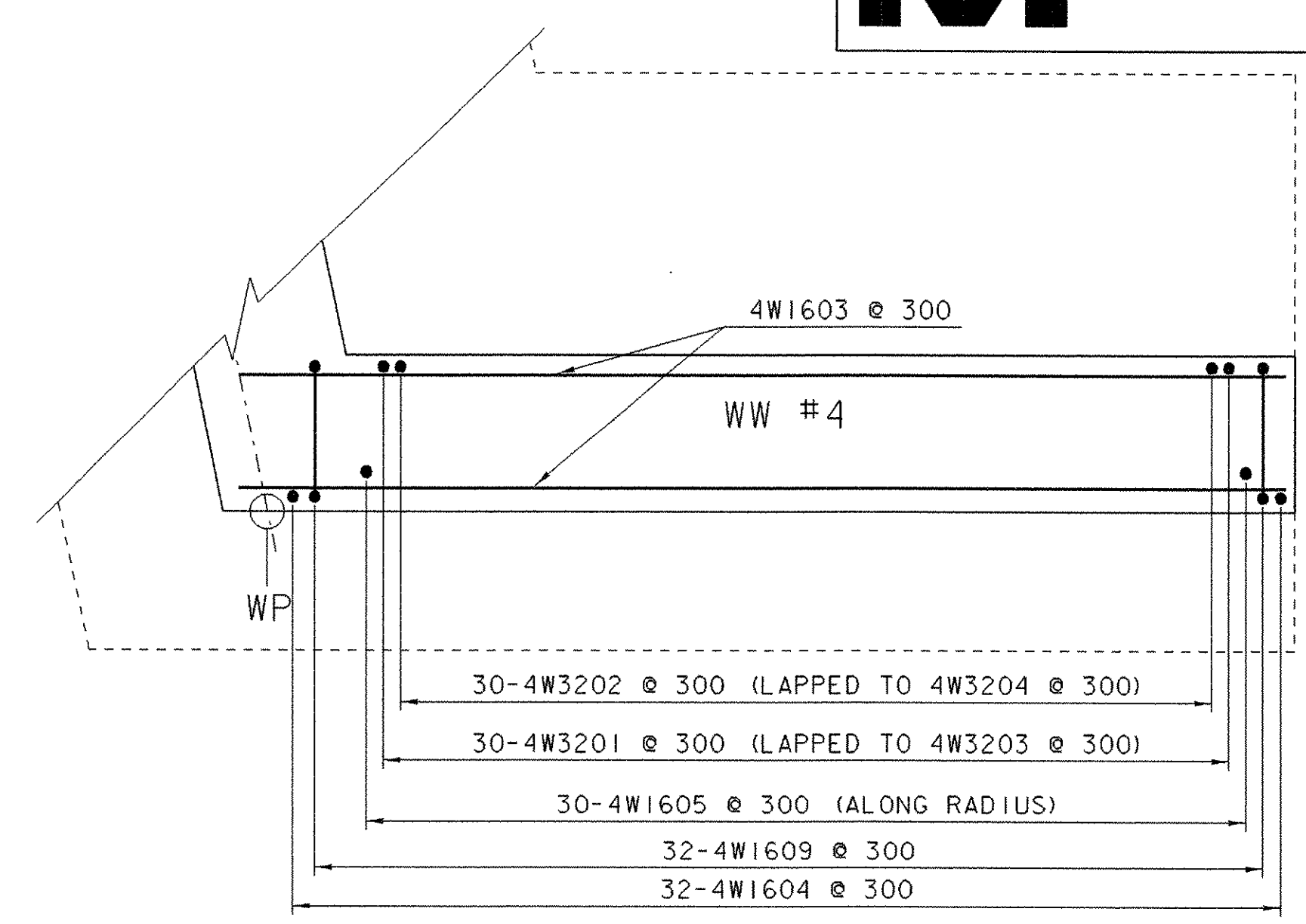


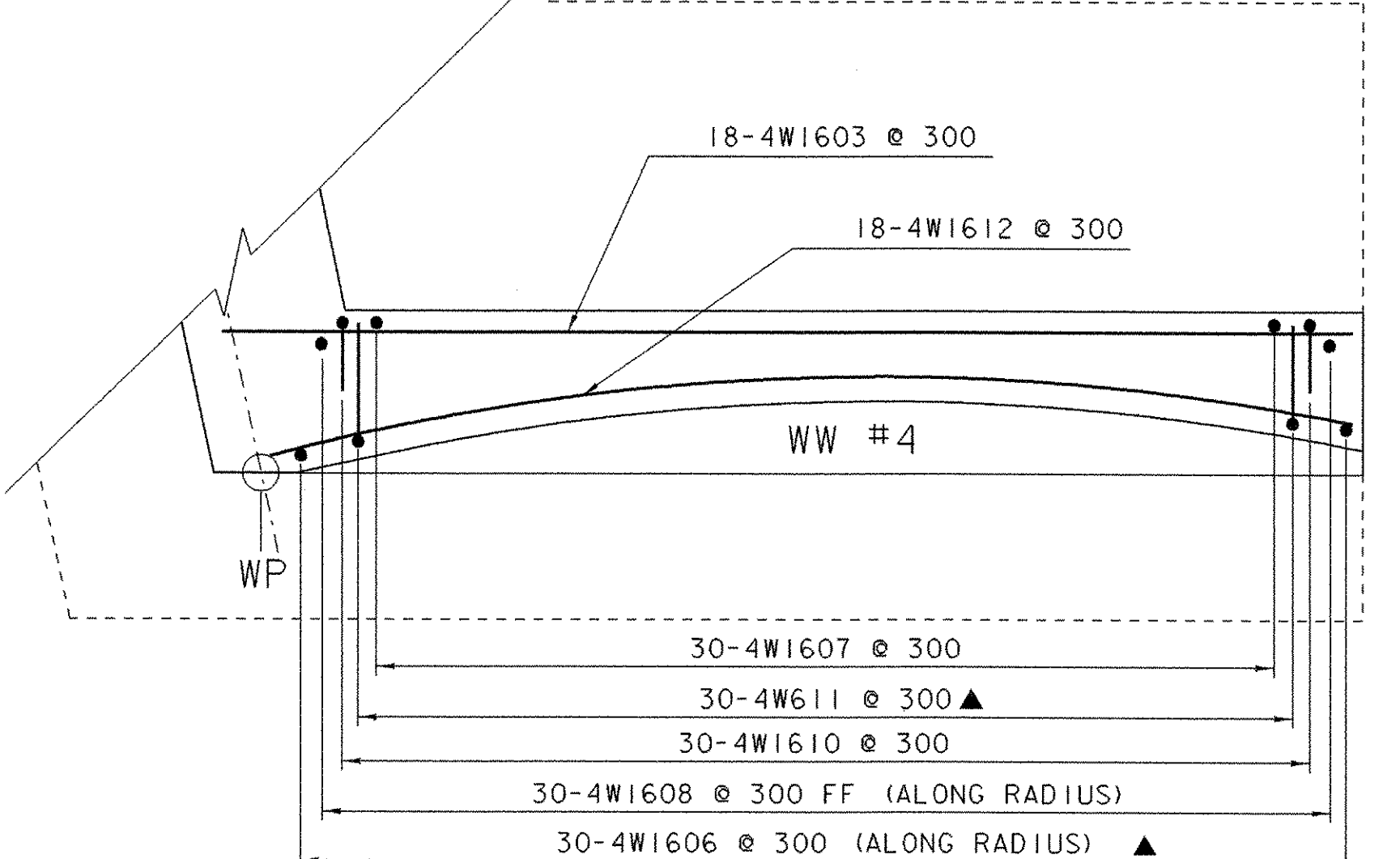
**WINGWALL #4 (FULL DEPTH)
ELEVATION VIEW
SCALE 1:50**



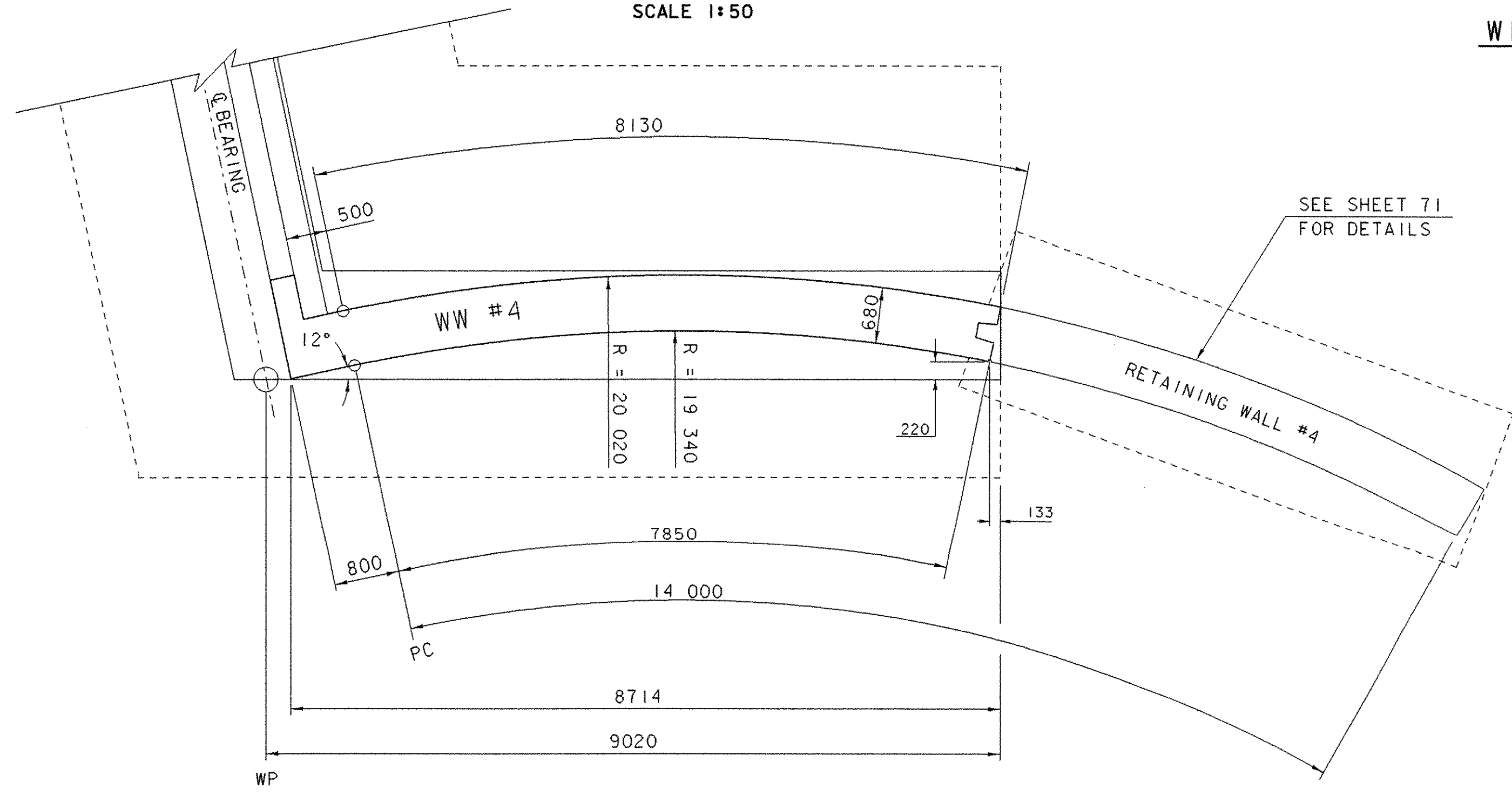
**WINGWALL #4 (FULL DEPTH)
TYPICAL SECTION
SCALE 1:50**



**WINGWALL #4 SECTION A-A
SCALE 1:50**

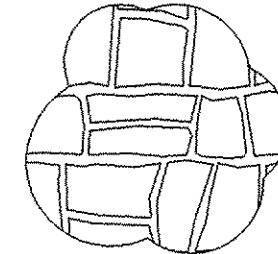


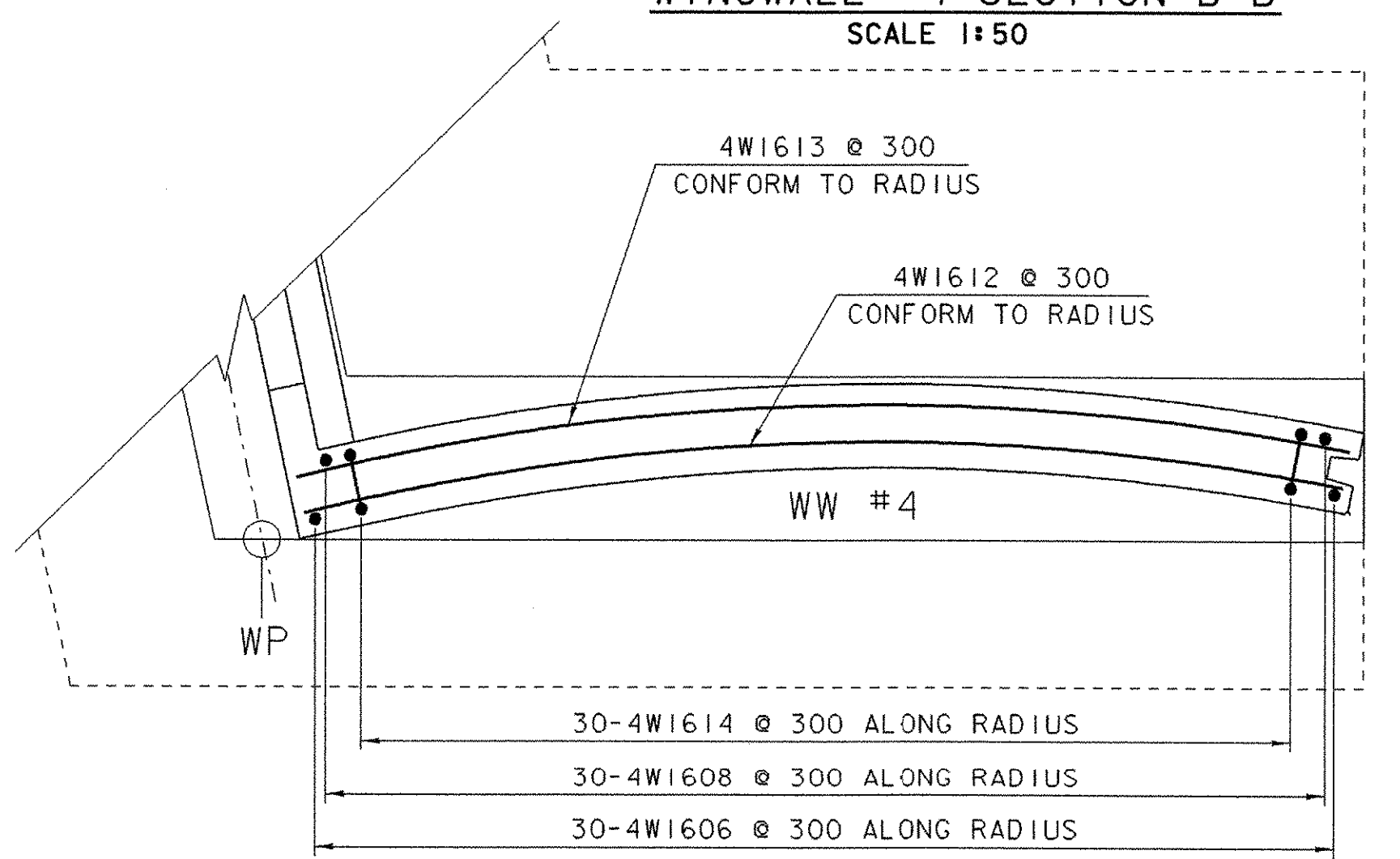
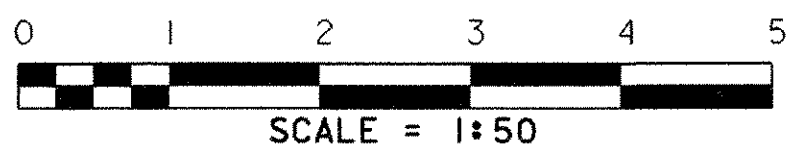
**WINGWALL #4 SECTION B-B
SCALE 1:50**



**WINGWALL #4 PLAN
SCALE 1:50**

NOTES:
 NF = NEAR FACE
 FF = FAR FACE
 EF = EACH FACE
 ▲ = CUT TO FIT IN FIELD
 80mm CLEAR UNLESS OTHERWISE SPECIFIED ON PLANS
 ALL LAPS ARE 660mm UNLESS OTHERWISE SPECIFIED ON PLANS

 RUSTIC ASHLAR CUSTOM ROCK #11003 OR EQUIVALENT FORM LINERS AS SPECIFIED CONTINUE 150mm BELOW GROUND LEVEL



**WINGWALL #4 SECTION C-C
SCALE 1:50**

PROJECT: BETHEL	PROJECT NO.: BRF0241 (33) C/2
DESIGN FILE NAME: s02c180abut2.dgn	PLOT DATE: 15-APR-2005
IPARM FILE NAME: s02c180ww4.i	DESIGNED BY: M. GAGULIC
SQUAD LEADER: C. P. WILLIAMS	CHECKED BY: M. GAGULIC
WINGWALL #4 DETAILS	SHEET: 58 OF 130