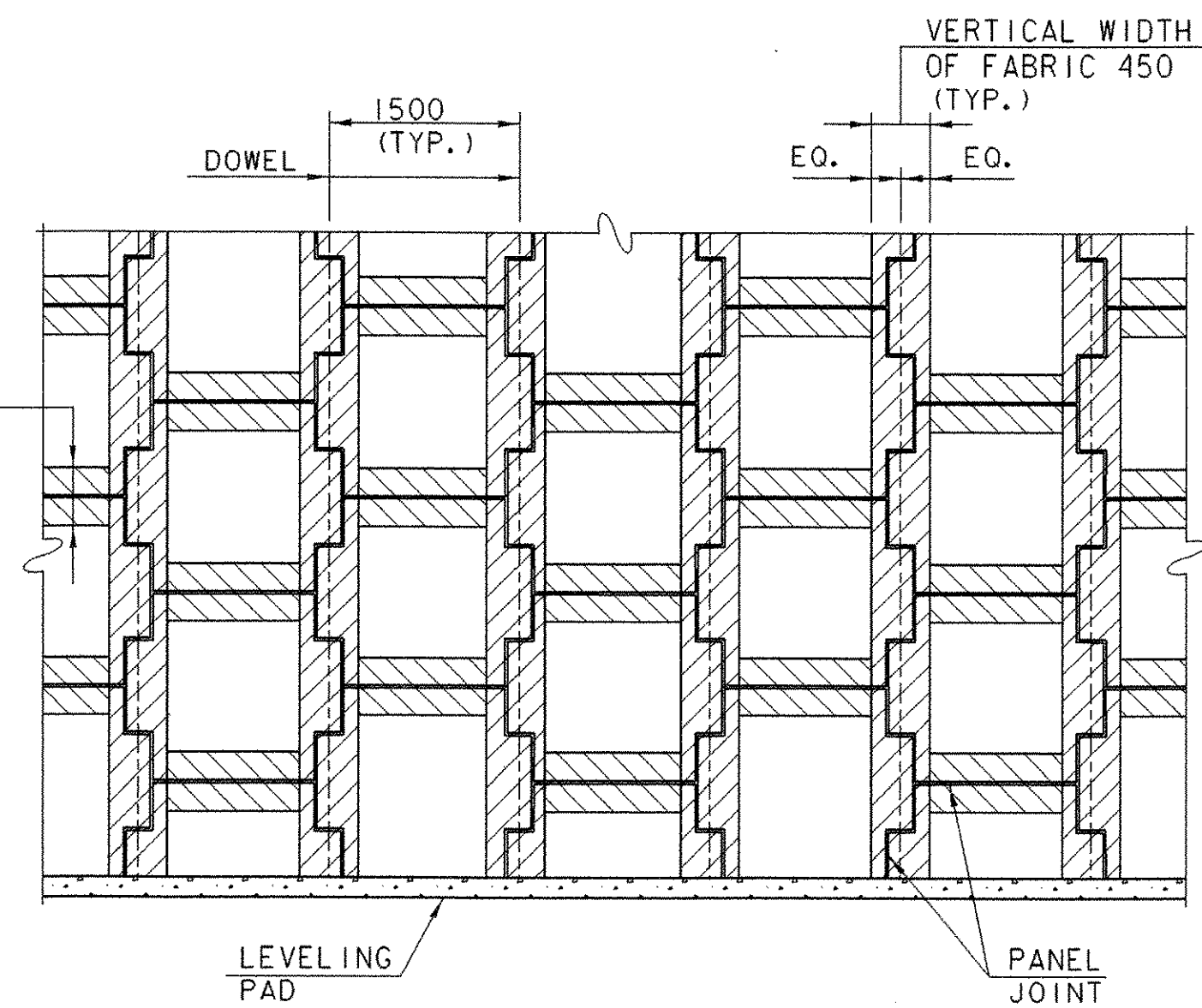


PARTIAL ELEVATION - FRONT FACE

NTS



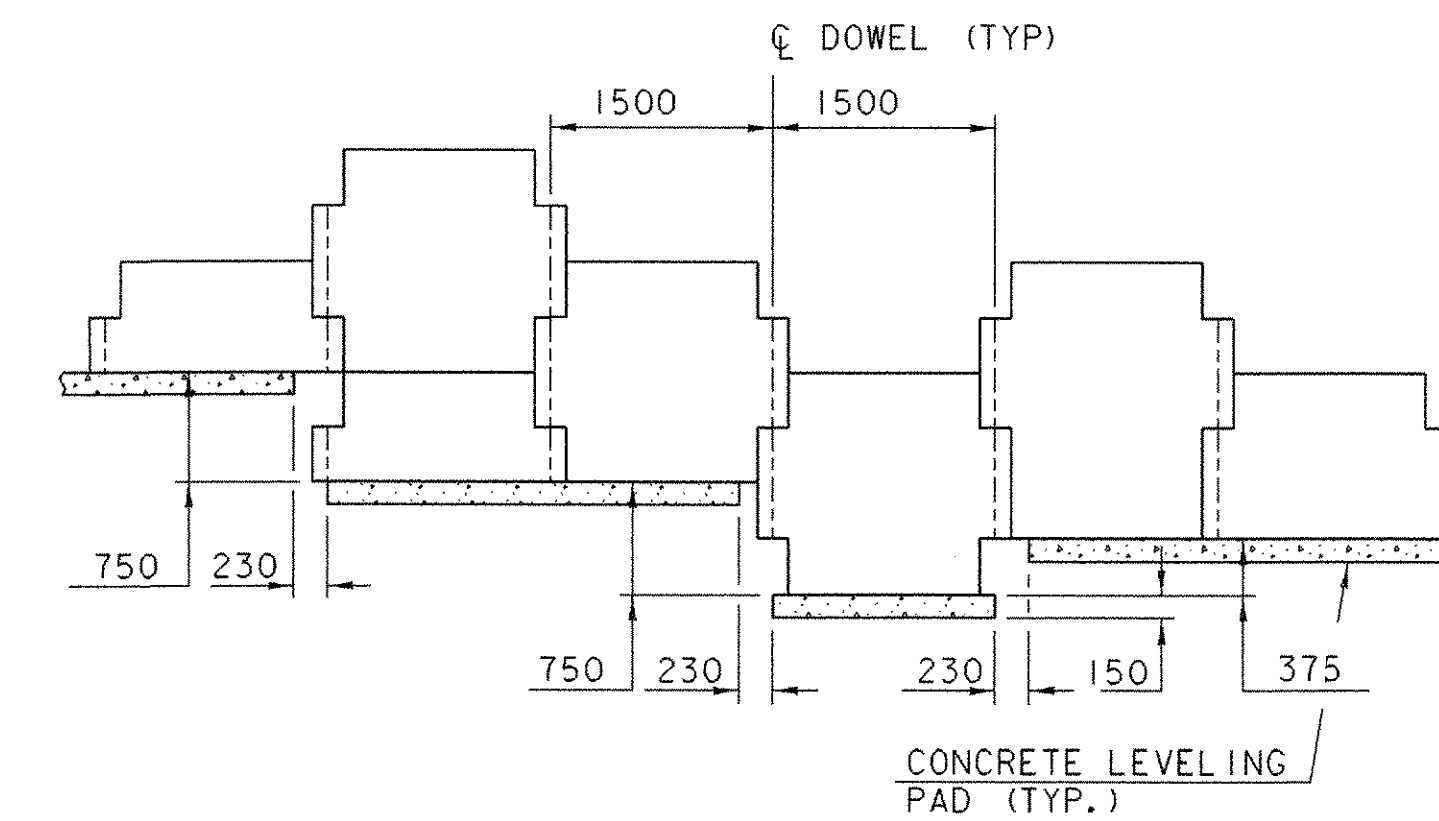
**FILTER FABRIC DETAIL
PARTIAL ELEVATION - BACK FACE**

NTS

NOTE:

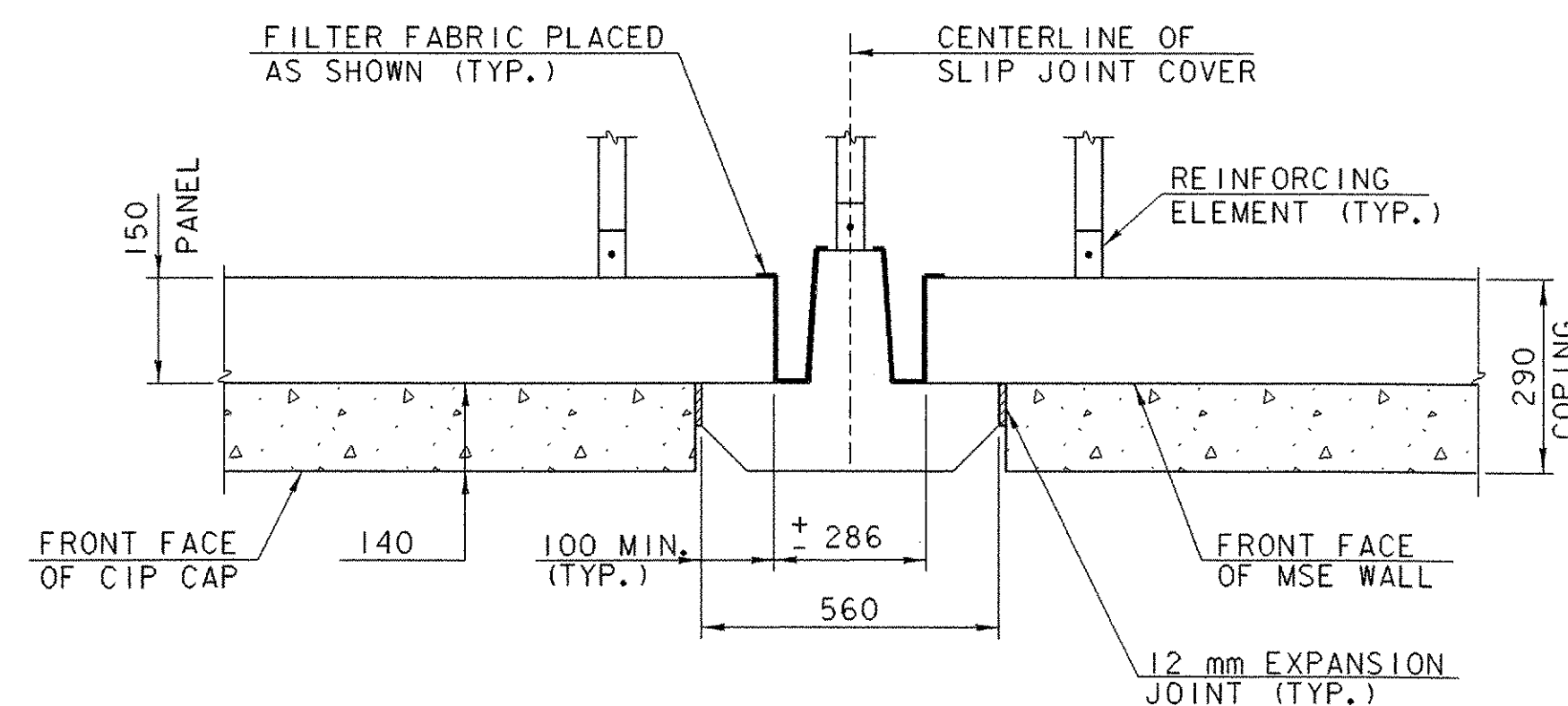
STRIPS OF FILTER FABRIC, MEETING VAOT STANDARD SPECIFICATION 720 FOR GEOTEXTILE UNDER STONE FILL, SHALL BE PLACED ON BACK FACE OF PANEL OVER PANEL JOINTS. FILTER CLOTH SHALL BE ADHERED TO BACK FACE OF PANELS USING AN ADHESIVE COMPOUND SUPPLIED BY THE MANUFACTURER AND APPROVED BY THE PROJECT MANAGER.

THE CONTRACTOR SHALL PROVIDE THE RESIDENT ENGINEER WITH THE MANUFACTURERS TECHNICAL DATA SHEET AND APPLICATION INSTRUCTIONS FOR THE ADHESIVE COMPOUND.



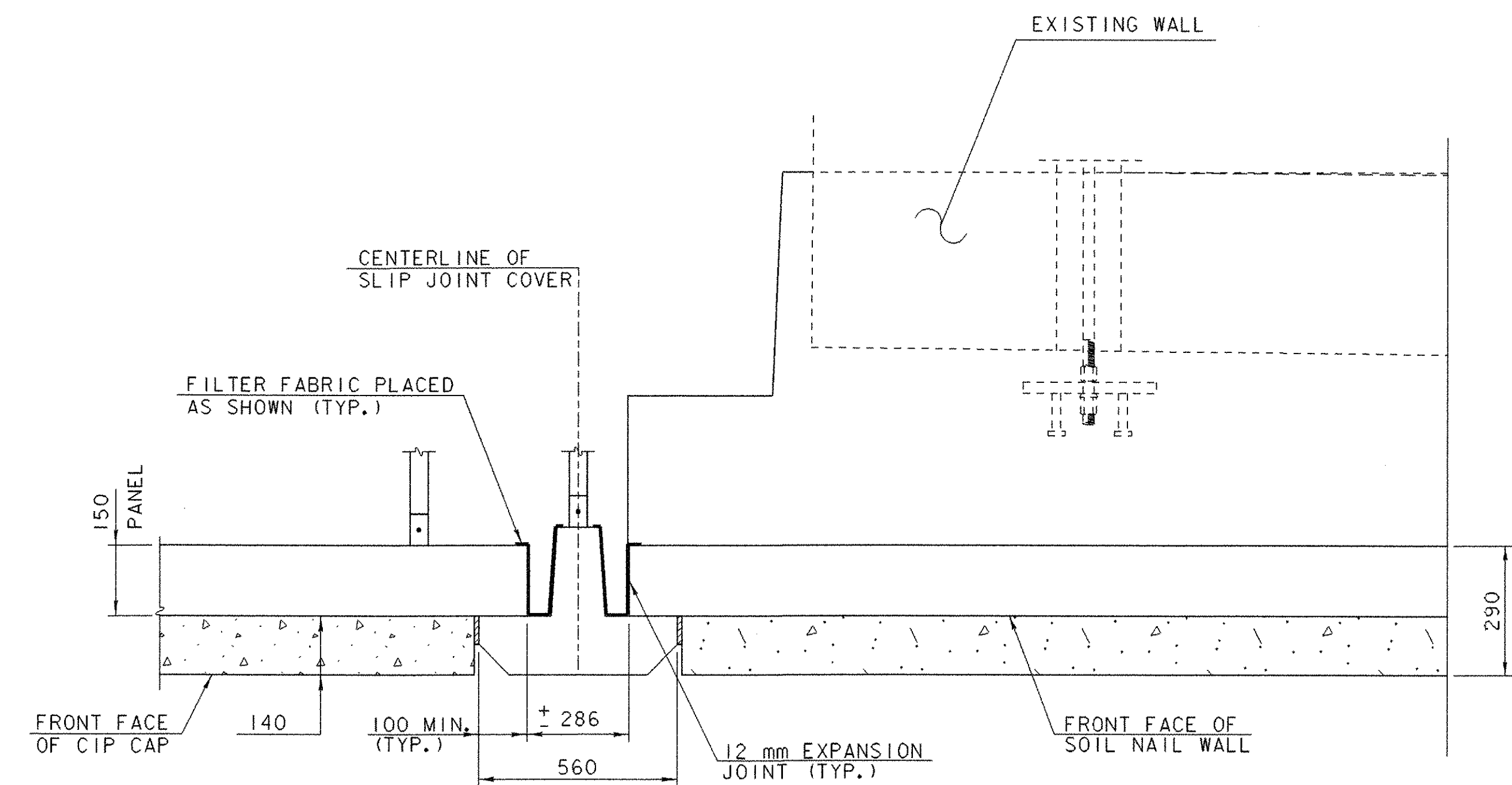
TYPICAL LEVELING PAD STEP DETAIL

NTS



SLIP JOINT COVER PLAN VIEW A-A

NTS



**SLIP JOINT COVER BETWEEN MSE WALL AND SOIL NAIL WALL / RETAINING WALL #2
PLAN VIEW**

NTS

PROJECT: BETHEL	PROJECT NO.: BRF0241 (33) C/2
DESIGN FILE NAME: 02c180/structure/s02sc180msdet.dgn	PLOT DATE: 15-APR-2005
IPARM FILE NAME: s02c180det3.i	DRAWN BY: M. GAGULIC
DESIGNED BY: M. GAGULIC	CHECKED BY: K. M. HIGGINS
SQUAD LEADER: C. P. WILLIAMS	MSE WALL DETAILS
	SHEET: 53 OF 130