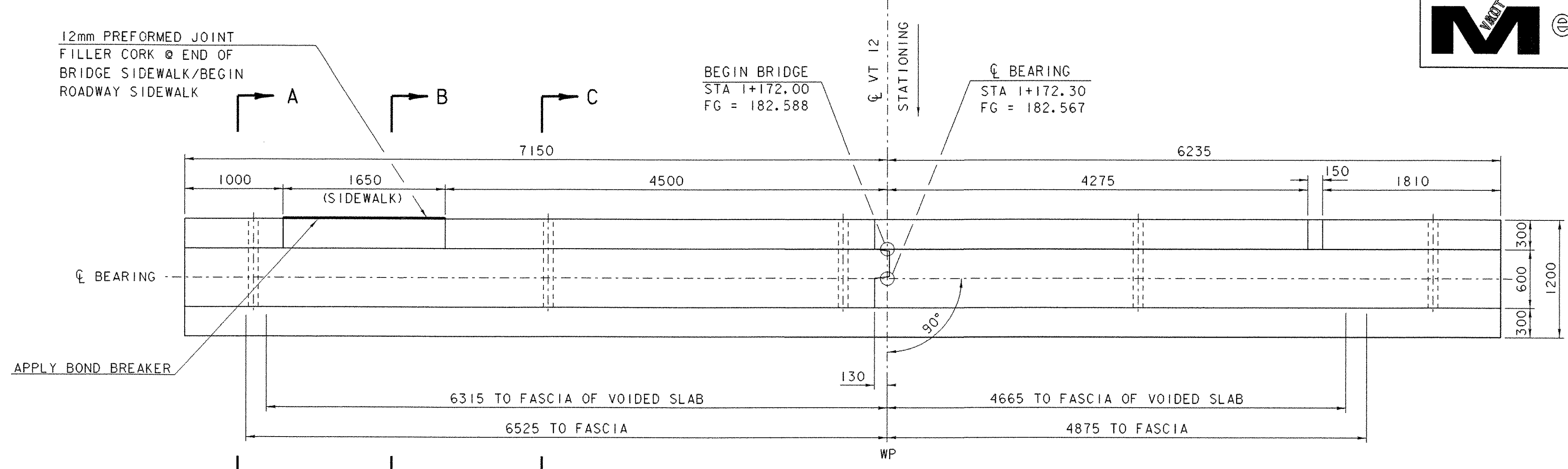
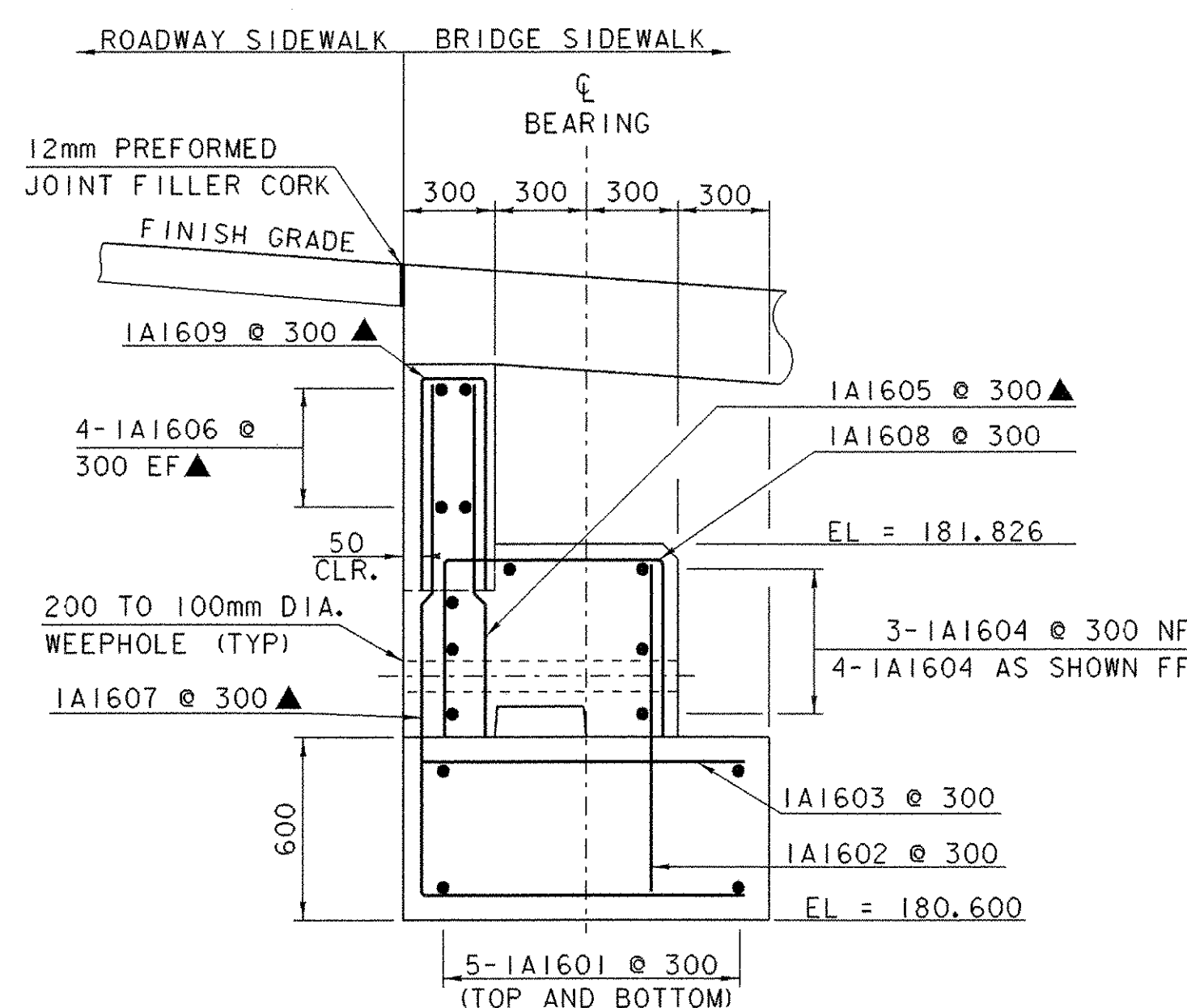


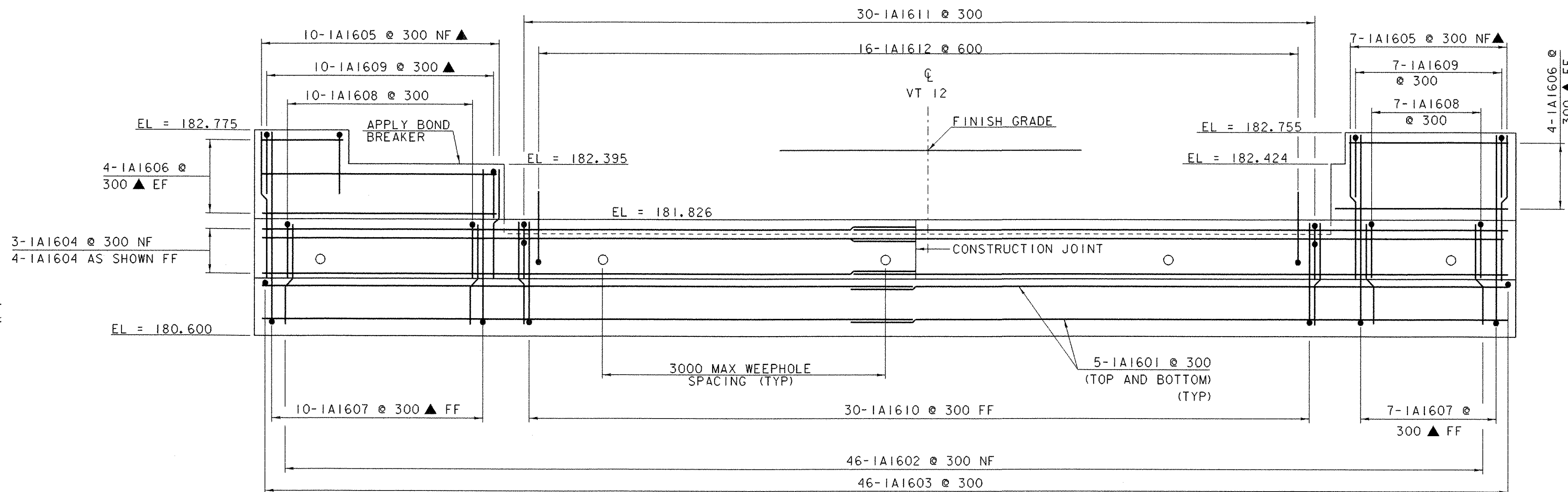
ABUTMENT #1 SECTION A-A
SCALE 1 : 20



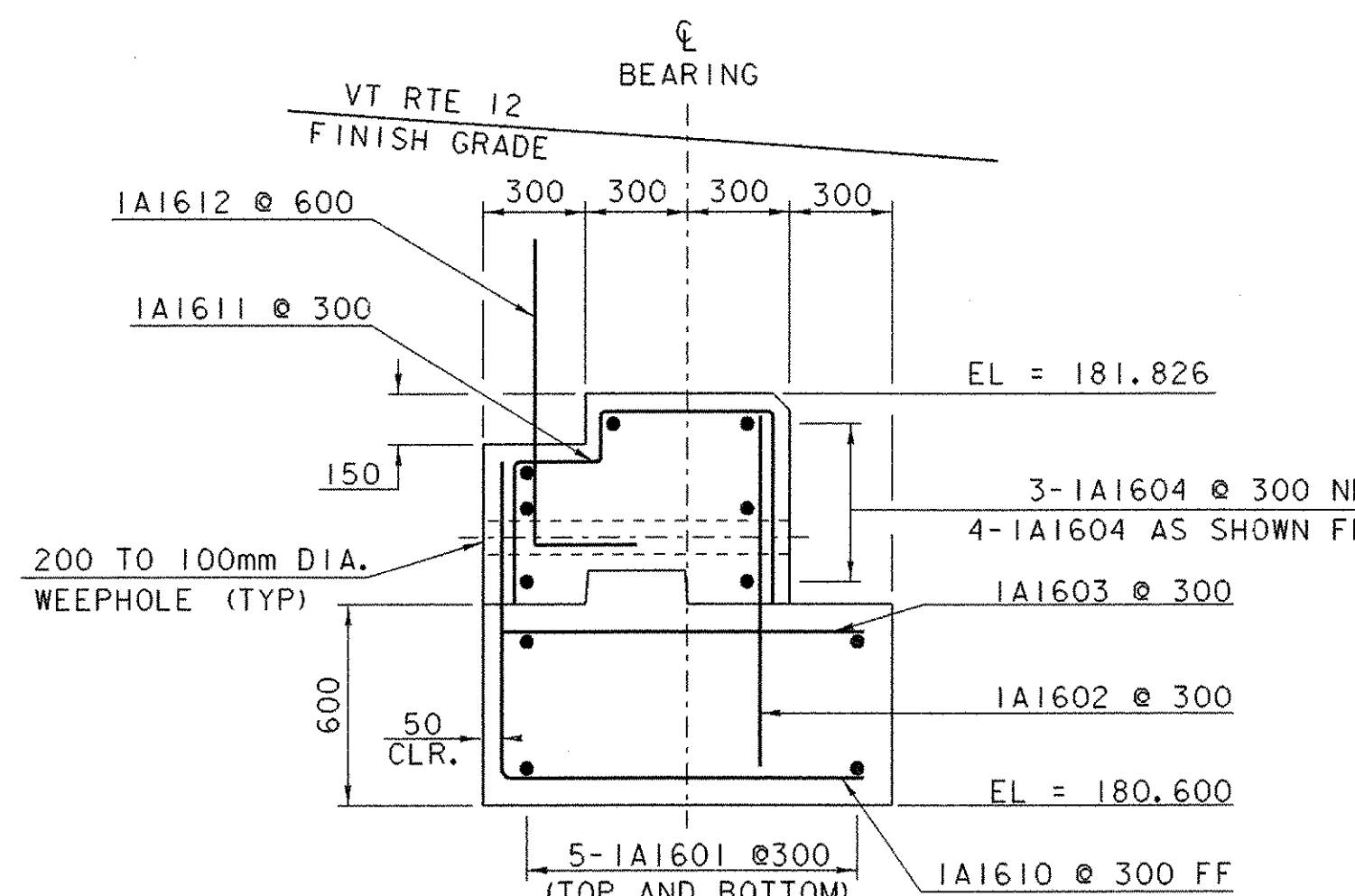
ABUTMENT #1 PLAN
SCALE 1 : 30



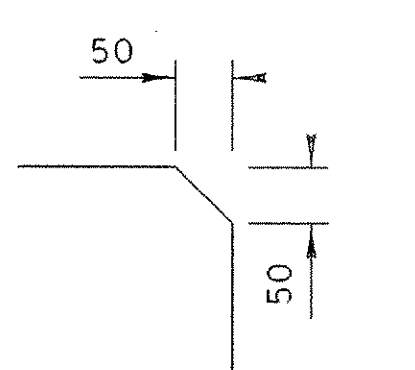
ABUTMENT #1 SECTION B-B
SCALE 1 : 20



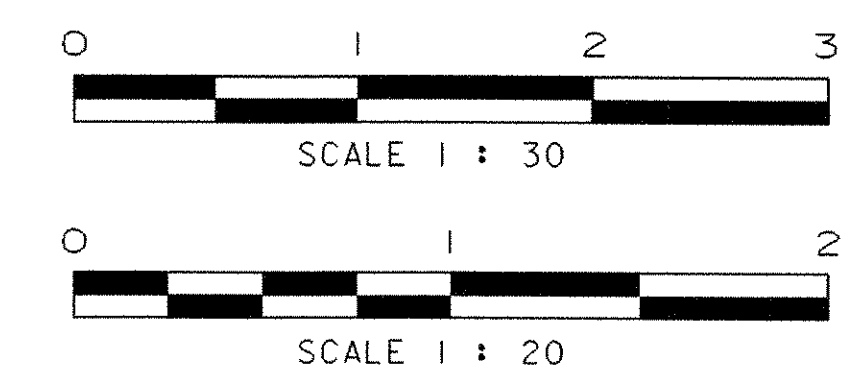
ABUTMENT #1 ELEVATION
SCALE 1 : 30



ABUTMENT #1 SECTION C-C
SCALE 1 : 20



DETAIL "E"
NTS



NOTE:
 NF = NEAR FACE
 FF = FAR FACE
 EF = EACH FACE
 ▲ = CUT TO FIT IN FIELD
 80 CLR. UNLESS OTHERWISE SPECIFIED ON THE PLANS.
 ALL LAPS 660 UNLESS OTHERWISE SPECIFIED ON PLANS.

PROJECT: BETHEL	PROJECT NO.: BRF0241 (33) C/2
DESIGN FILE NAME: 02c180/structure/s02c180abut1.dgn	IPARM FILE NAME: s02c180abut1.i
DESIGNED BY: M. GAGULIC	DRAWN BY: M. GAGULIC
SQUAD LEADER: C.P. WILLIAMS	CHECKED BY: K.M. HIGGINS
ABUTMENT#1 PLAN + TYPICAL SECTION SHEET: 49 OF 130	