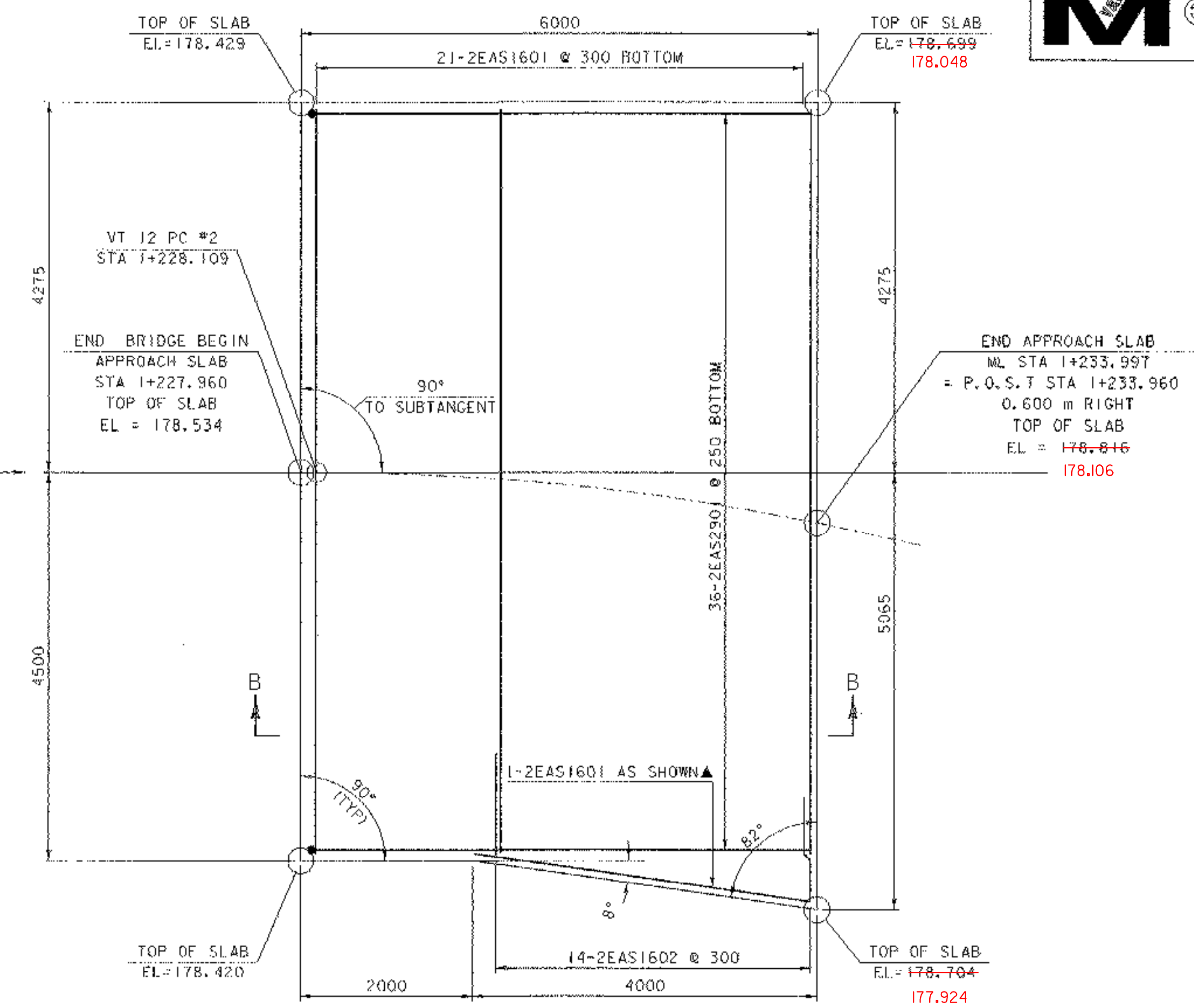
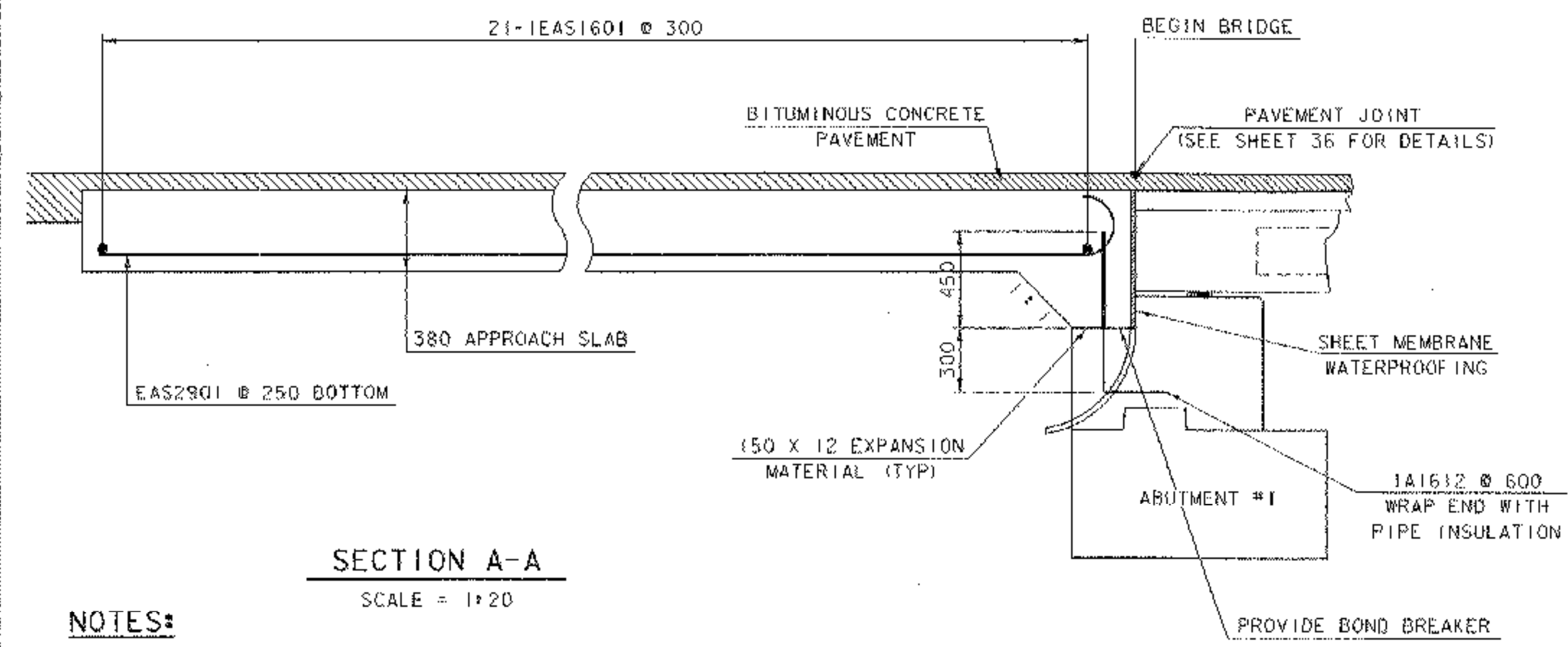


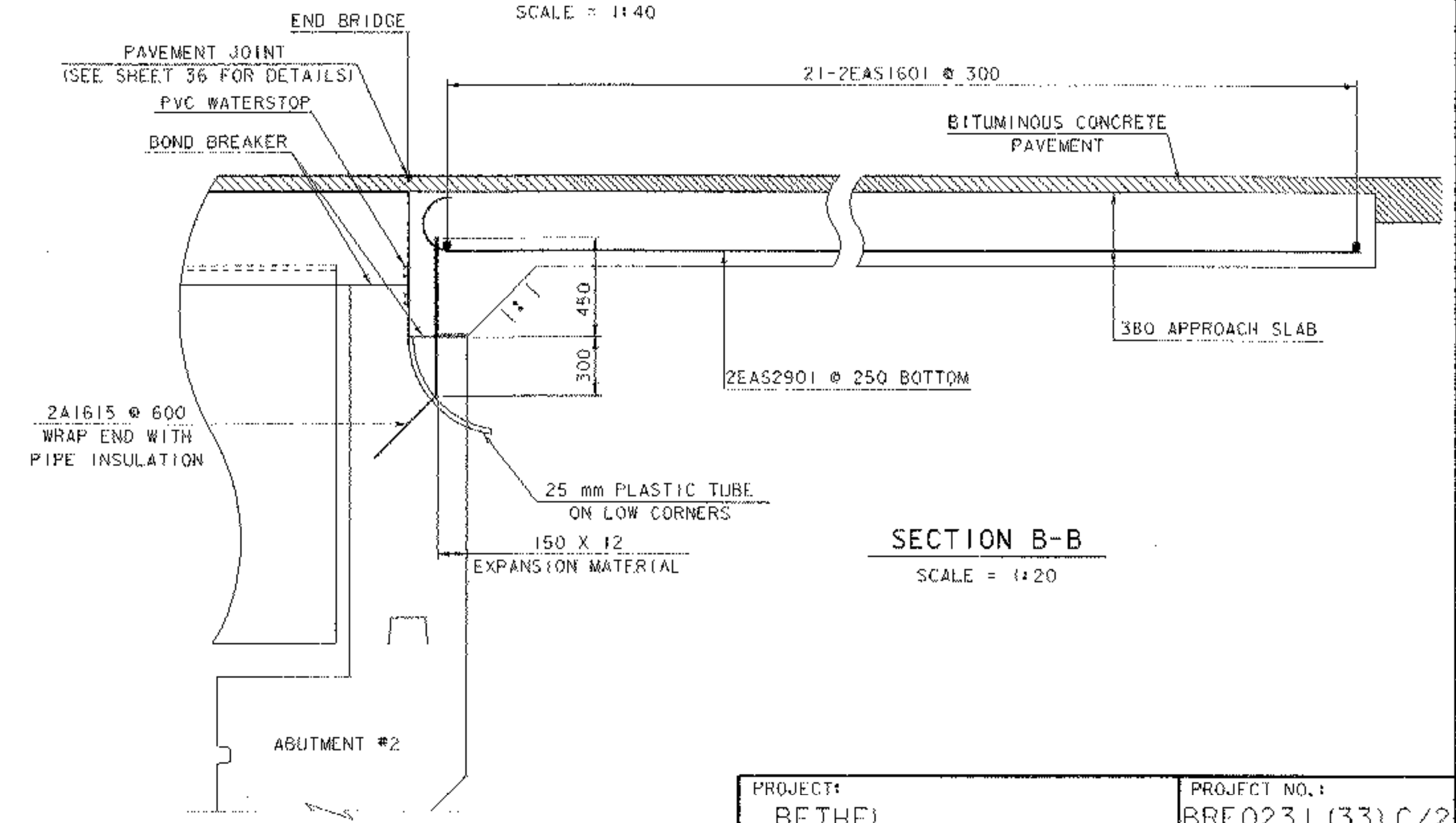
**APPROACH SLAB No. 1 PLAN**  
SCALE = 1:40



**APPROACH SLAB No. 2 PLAN**  
SCALE = 1:40



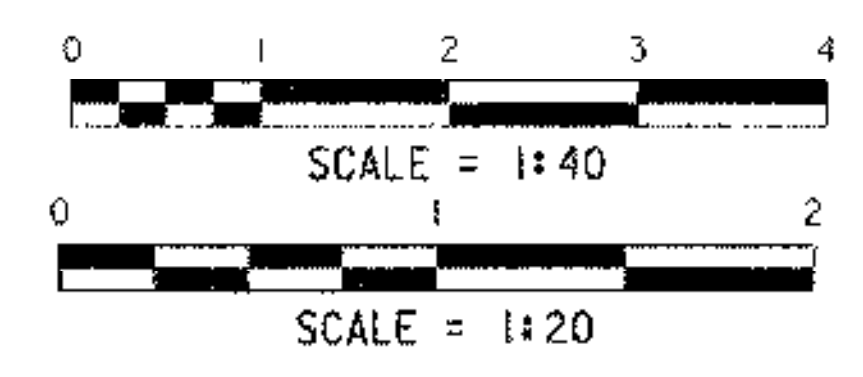
**SECTION A-A**  
SCALE = 1:20



**SECTION B-B**  
SCALE = 1:20

**NOTES:**

- 80 CLR. UNLESS OTHERWISE SPECIFIED ON THE PLANS.
- ALL LAPS SHALL BE 660 UNLESS NOTED OTHERWISE
- ▲ = CUT TO FIT IN FIELD
- ALL REINFORCING STEEL SHALL BE EPOXY COATED.
- WATERPROOFING SHALL NOT BE APPLIED TO APPROACH SLABS



PROJECT: <b>BETHEL</b>	PROJECT NO.: <b>BRF0231 (33) C/2</b>
DESIGN FILE NAME: 02c180/structures/s02c180sup.dgn	PLOT DATE: 15-APR-2005
IPARM FILE NAME: s02c180apps1ab.t	DESIGNED BY: K. M. HIGGINS
SQUAD LEADER: C. P. WILLIAMS	DRAWN BY: K. M. HIGGINS
APPROACH SLAB DETAILS	CHECKED BY: E. L. RUSTAY
	SHEET: 48 OF 130