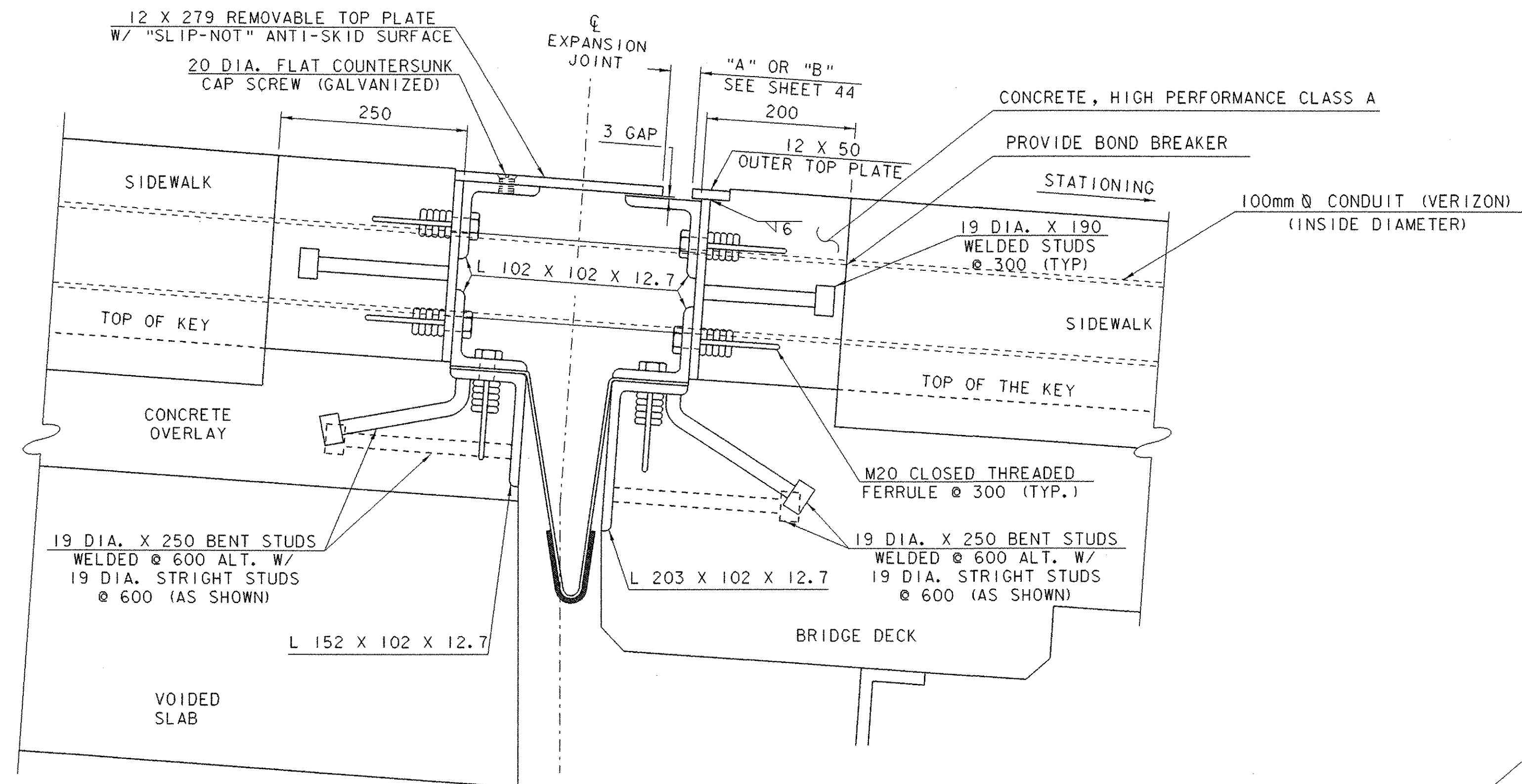
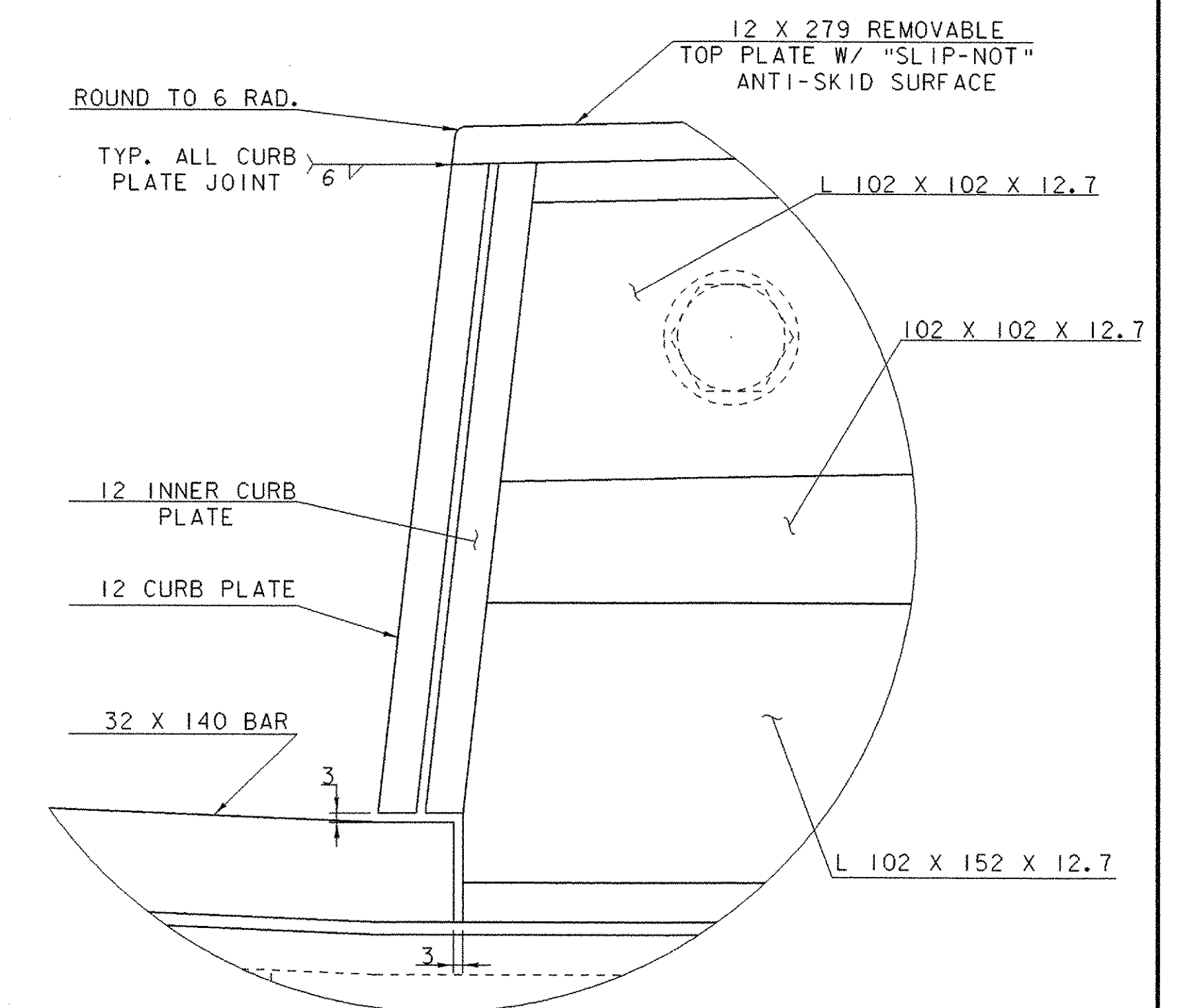


SECTION A - A
SCALE 1 : 5

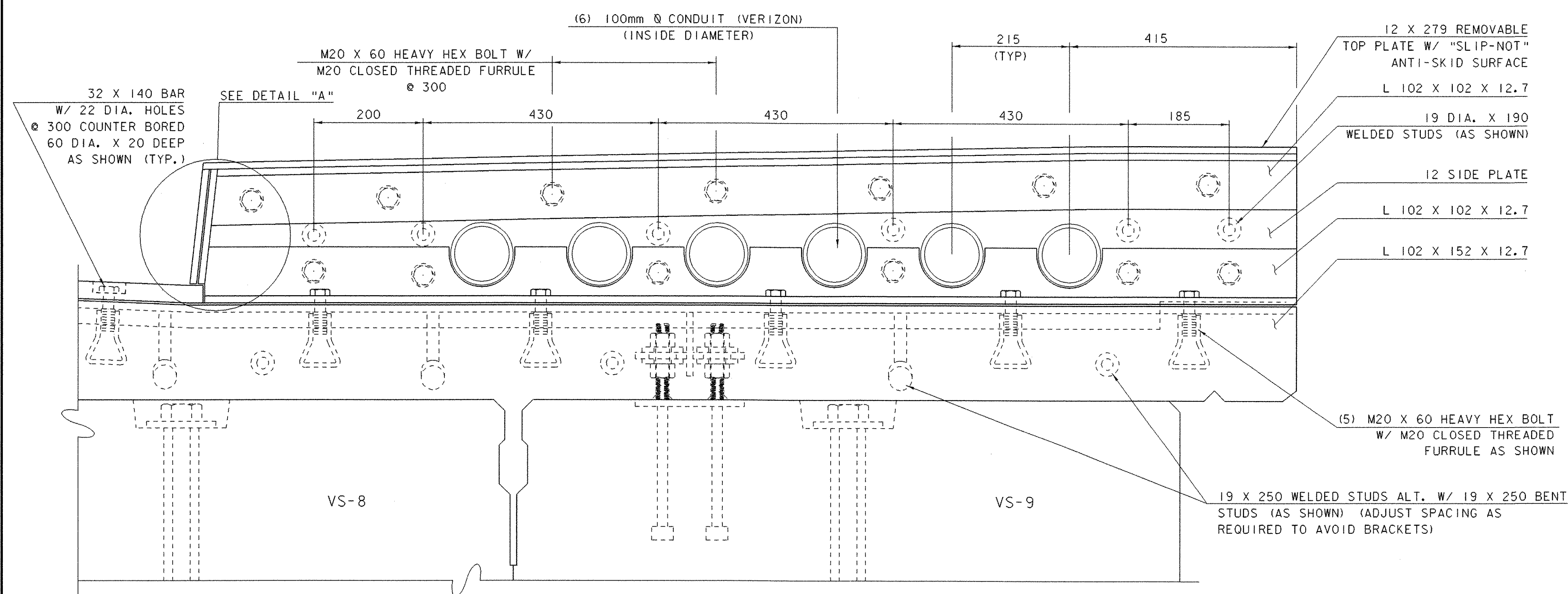


SECTION B - B
SCALE 1 : 5

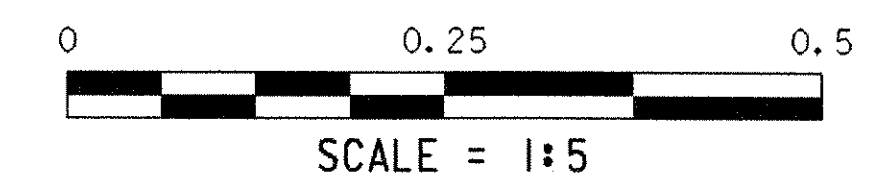
NOTE: * PIER #1 SIDEWALK ARE DETAILED ON THIS SHEET. PIER #1 CURB PLATES ARE SIMILAR.



DETAIL "A"
NOT TO SCALE



SECTION C - C
SCALE 1 : 5



PROJECT: BETHEL	PROJECT NO.: BRF0241 (33) C/2
DESIGN FILE NAME: 02c180/structure/s02c180expjoint.dgn	PLOT DATE: 15-APR-2005
IPARM FILE NAME: expjoint3.i	DRAWN BY: M. GAGULIC
DESIGNED BY: M. GAGULIC	CHECKED BY: K. M. HIGGINS
SQUAD LEADER: C. P. WILLIAMS	SHEET: 46 OF 130
CURB PLATE DETAILS	