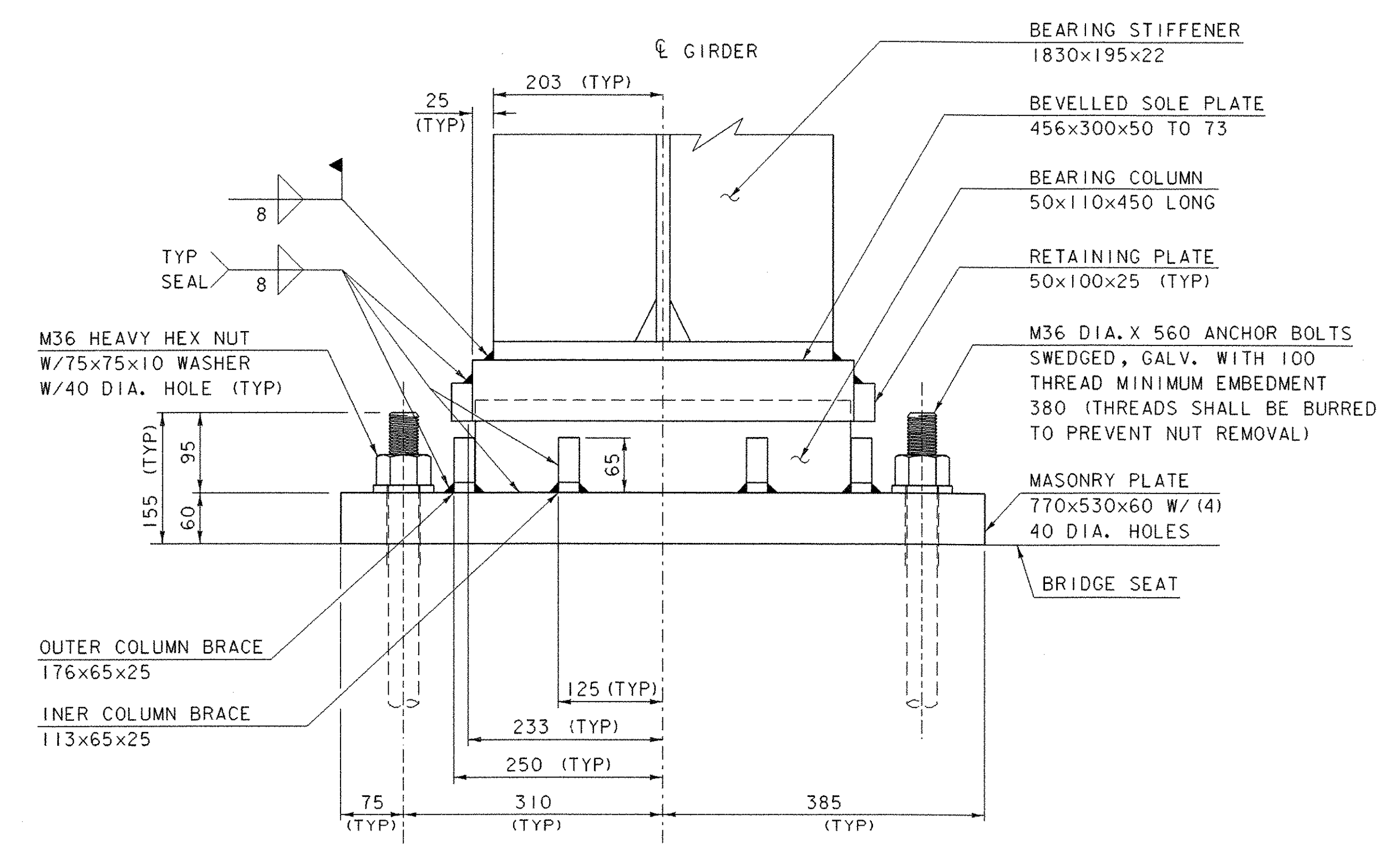
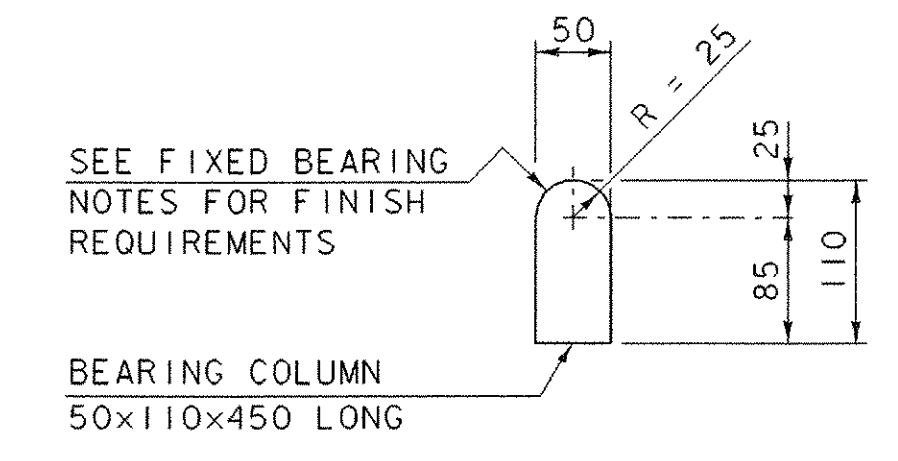


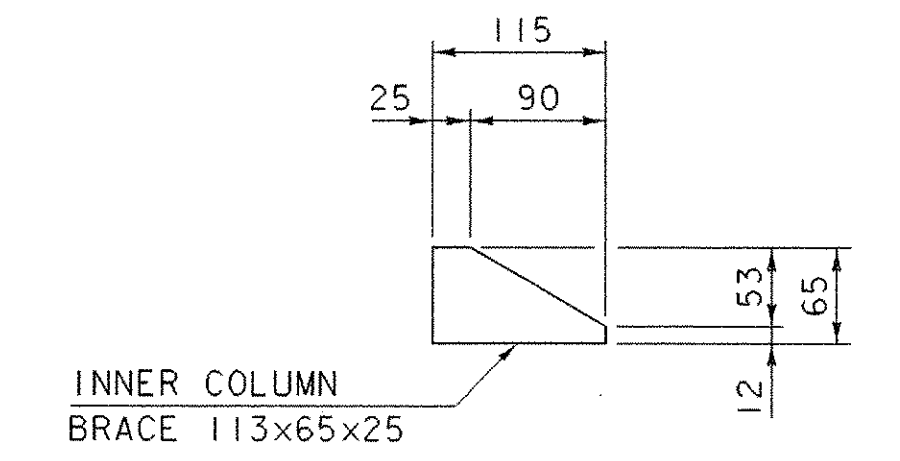
PLAN VIEW
SCALE= 1:5



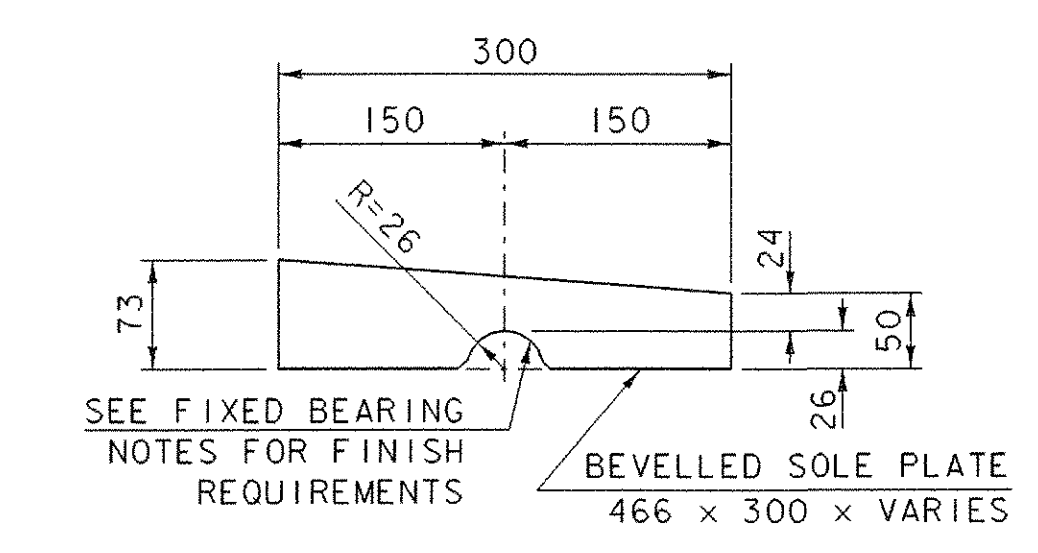
FRONT ELEVATION
SCALE= 1:5



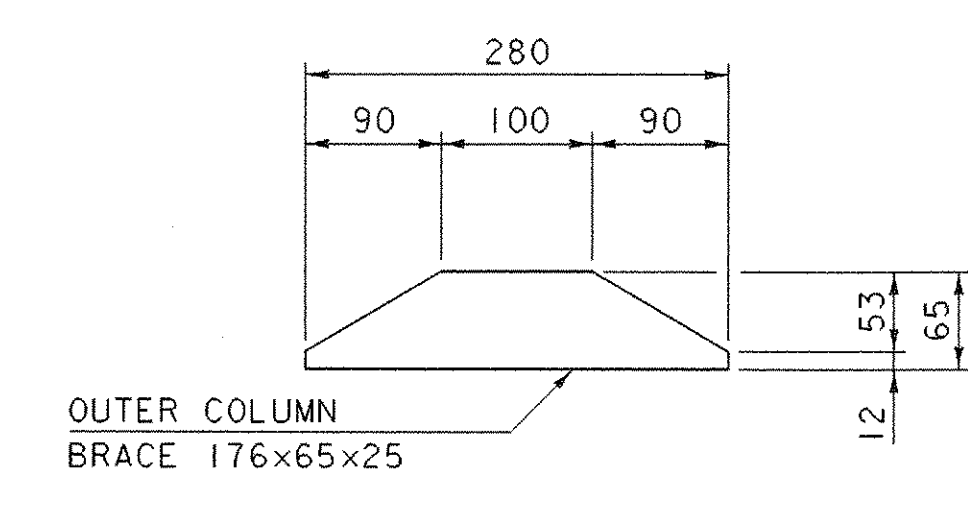
BEARING COLUMN DETAIL
SCALE= 1:5



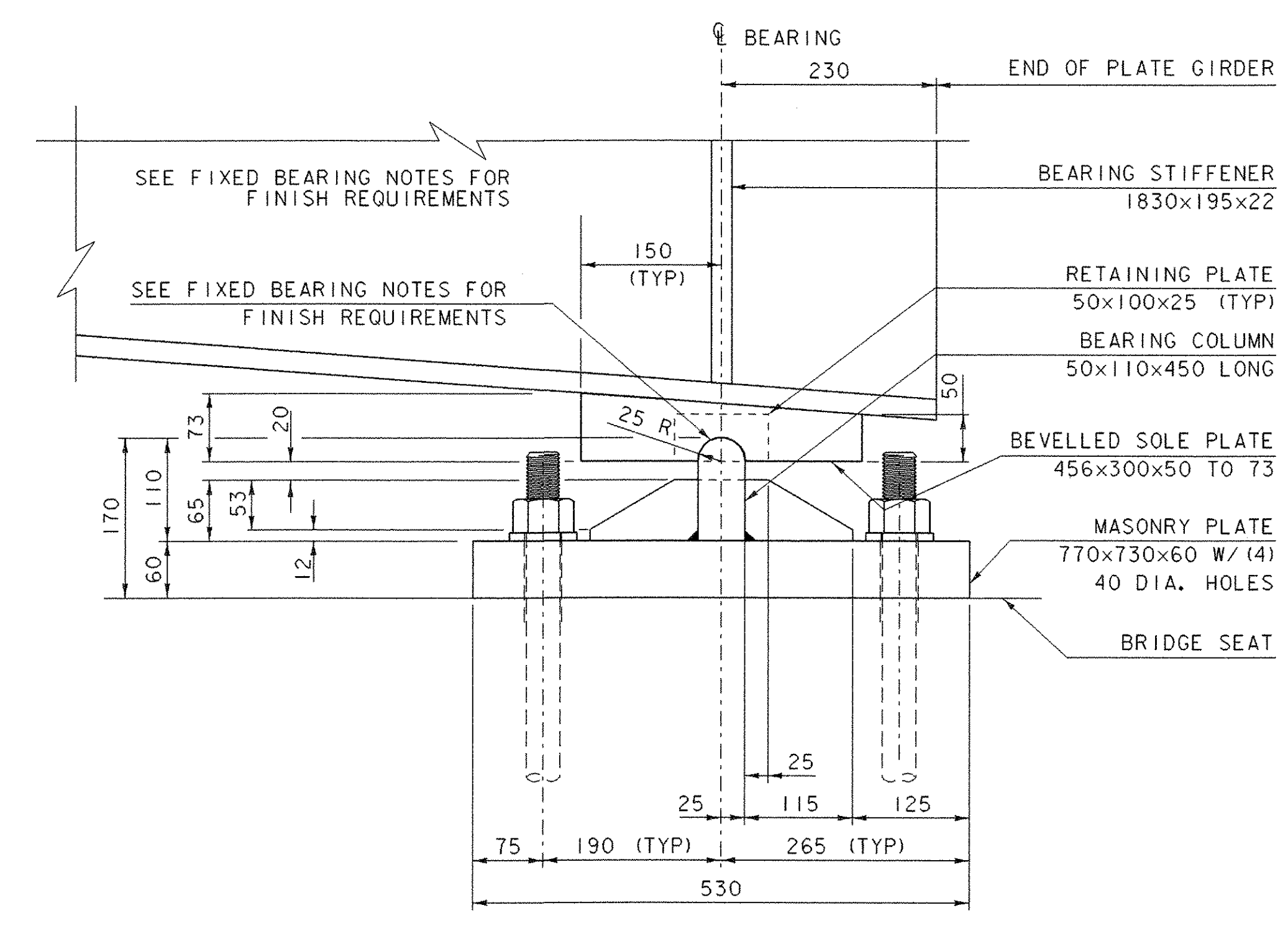
INNER COLUMN BRACE DETAIL
(4 BRACES REQUIRED)
SCALE= 1:5



SOLE PLATE DETAIL
SCALE= 1:5

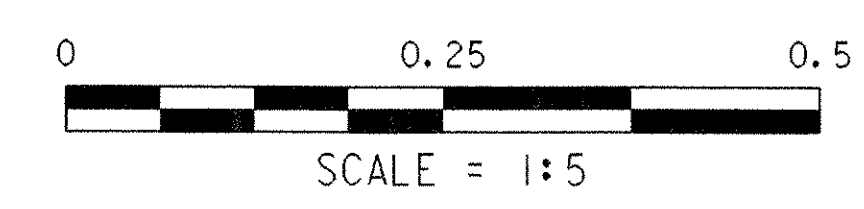


OUTER COLUMN BRACE DETAIL
(2 BRACES REQUIRED)
SCALE= 1:5



SECTION A-A
SCALE= 1:5

ABUTMENT #2 FIXED BEARING DETAILS



SEE SHEET 43 FOR BEARING NOTES

PROJECT: BETHEL	PROJECT NO. : BRF0241 (33) C/2
DESIGN FILE NAME: 02c180/structures/s02c180brg.dgn	PLOT DATE: 15-APR-2005
IPARM FILE NAME: c180fixbrg.i	DRAWN BY: M. LONGSTREET
DESIGNED BY: K. M. HIGGINS	CHECKED BY: K. M. HIGGINS
SQUAD LEADER: C. P. WILLIAMS	FIXED BEARING DETAILS (ABUT #2)
	SHEET: 42 OF 130