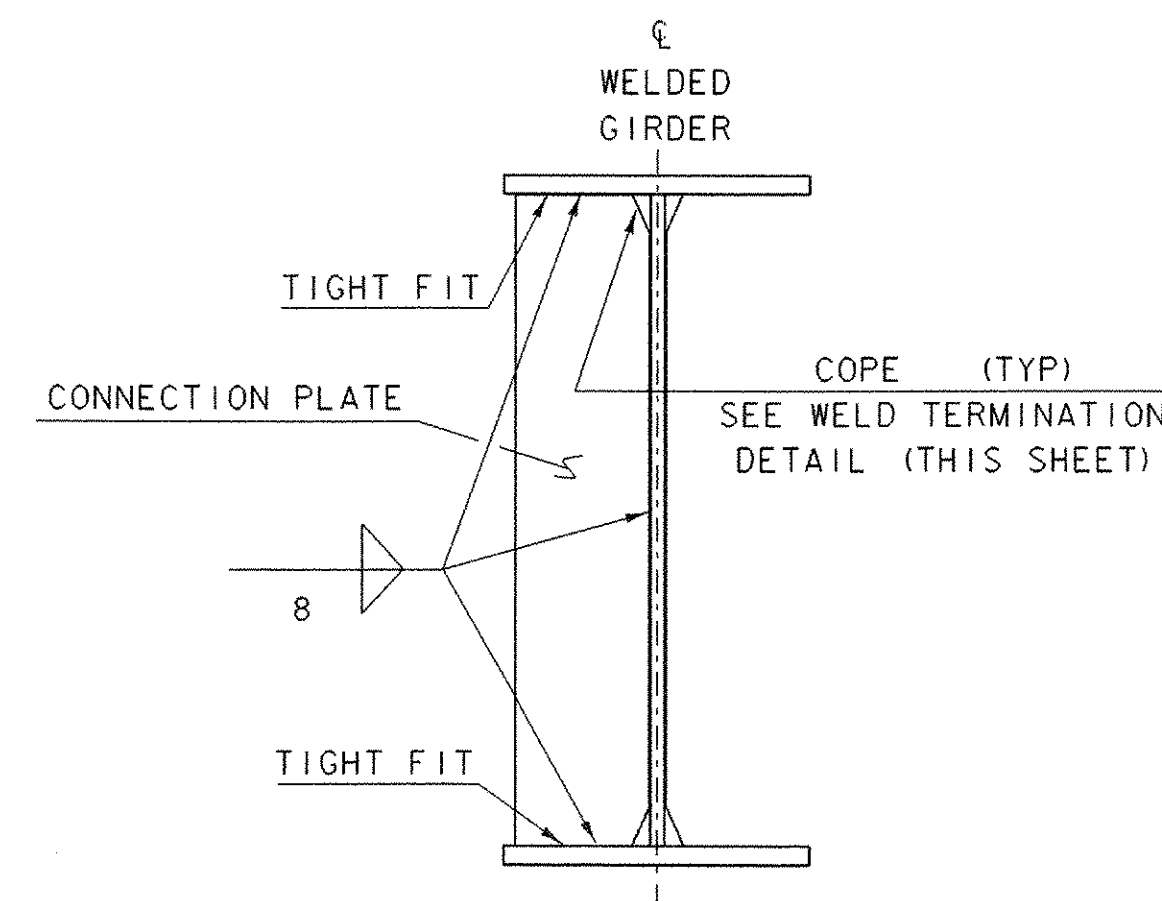
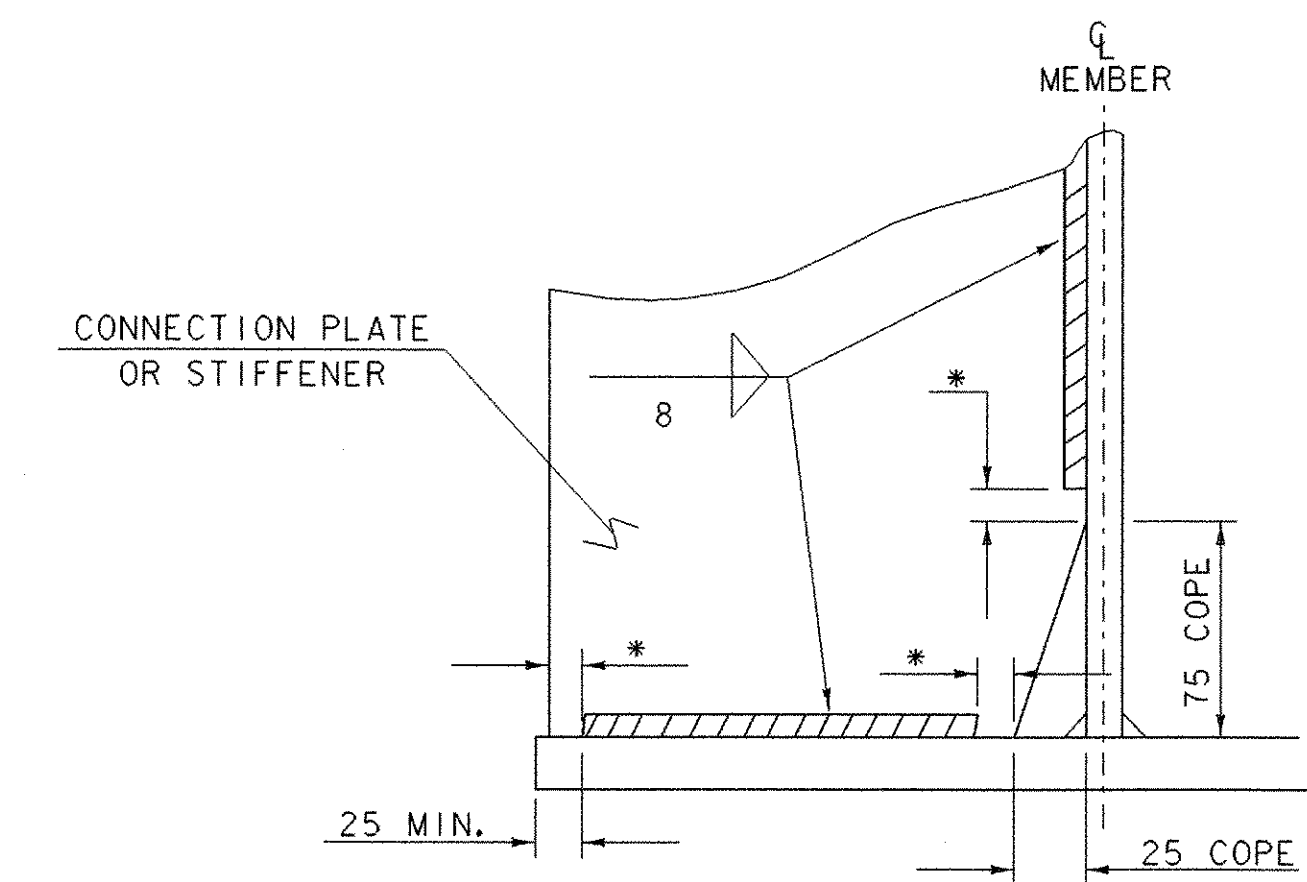


**HAUNCH AND SHEAR CONNECTOR DETAILS**

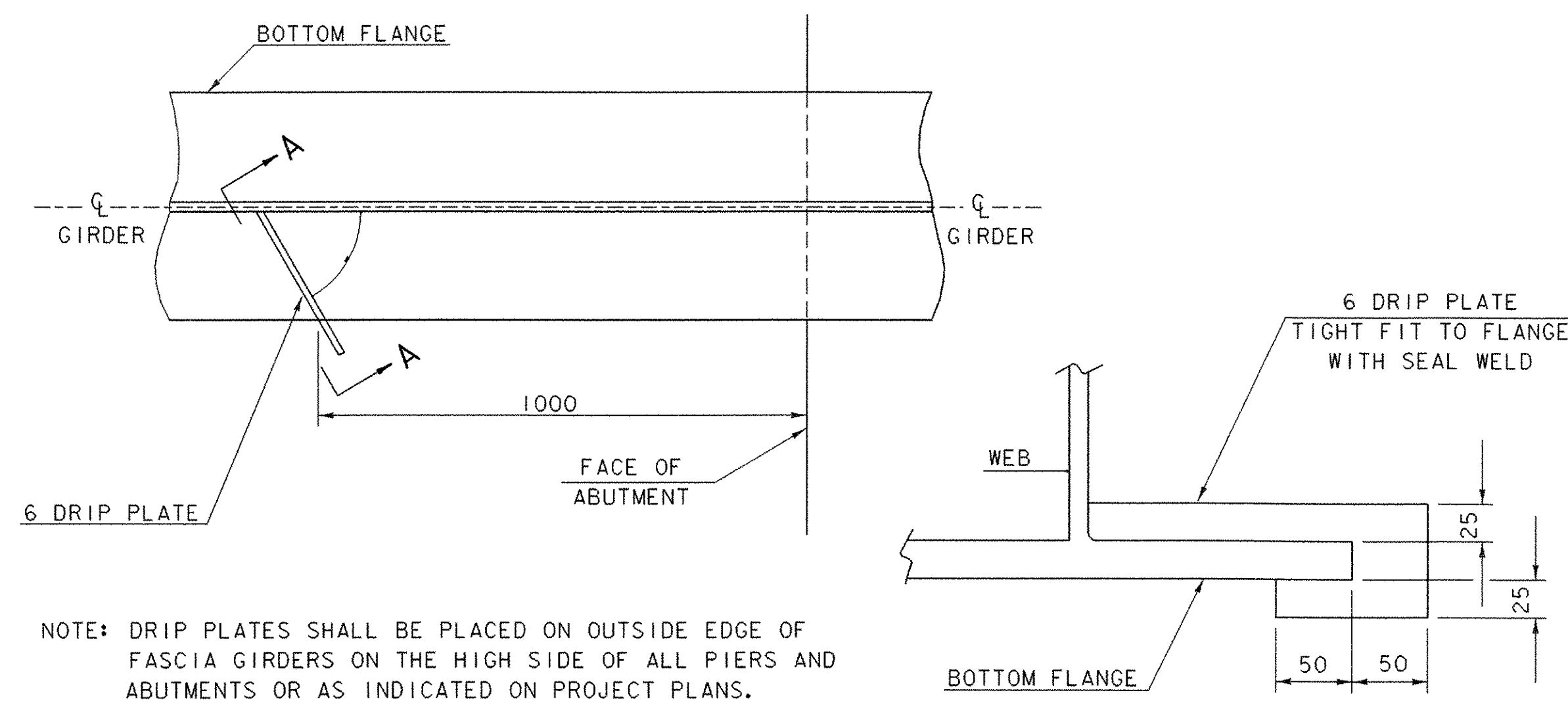


**INTERMEDIATE CONNECTION PLATES AND/OR STIFFENERS FOR WELDED PLATE GIRDERS**



\* = NO WELD FOR 6 MIN., 12 MAX. (EXCEPT MUST MAINTAIN 25 MINIMUM FROM EDGE OF FLANGE)

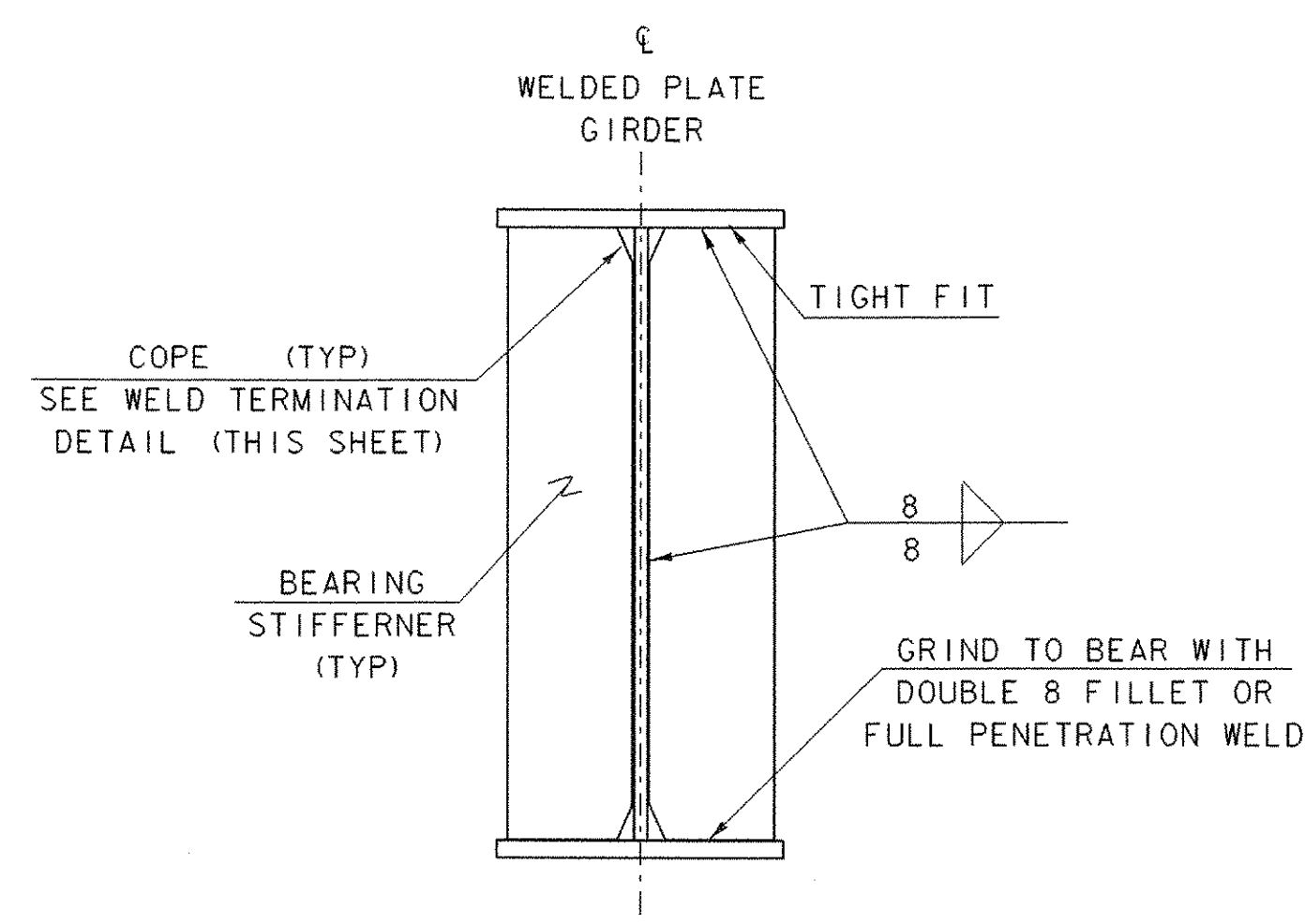
**WELD TERMINATION AND COPING DETAILS FOR STEEL MEMBERS**



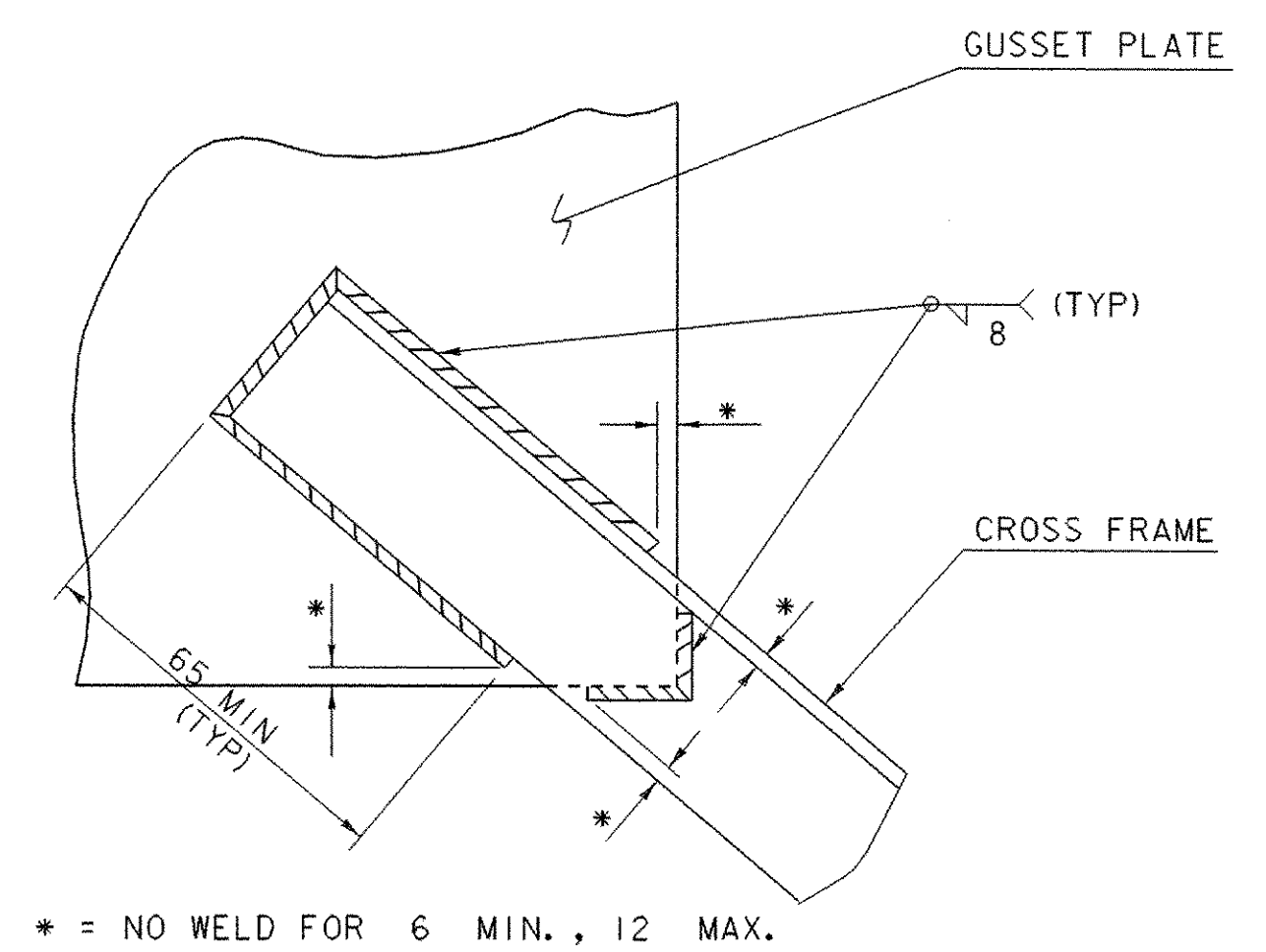
NOTE: DRIP PLATES SHALL BE PLACED ON OUTSIDE EDGE OF FASCIA GIRDERS ON THE HIGH SIDE OF ALL PIERS AND ABUTMENTS OR AS INDICATED ON PROJECT PLANS.

**DRIP PLATE PLAN VIEW**

**SECTION A - A**



**ABUTMENT BEARING STIFFENERS FOR WELDED PLATE GIRDERS**



\* = NO WELD FOR 6 MIN., 12 MAX.

**WELD LOCATION DETAIL AT CROSS FRAMES AND LATERAL BRACING**

NOTE: DETAILS ON THIS SHEET ARE --- NOT TO SCALE ---

PROJECT: BETHEL	PROJECT NO.: BRF0241 (33) C/2
DESIGN FILE NAME: 02c180\Structures\02c180sup.dgn	IPARM FILE NAME: s02c180smisc.i
DESIGNED BY: K. HIGGINS	PLLOT DATE: 15-APR-2005
SQUAD LEADER: C. P. WILLIAMS	DRAWN BY: T. ANDERSON
MISC. STRUCTURAL STEEL DETAILS	CHECKED BY: K. HIGGINS
	SHEET: 40 OF 130