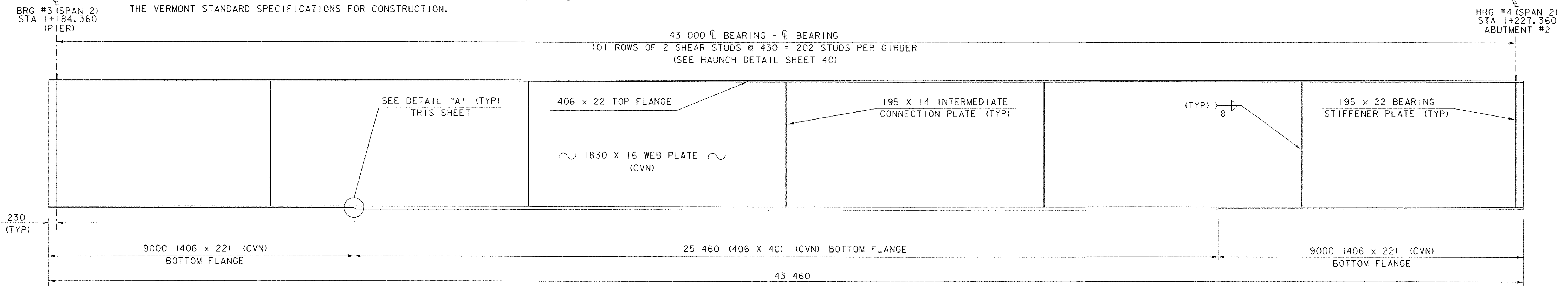


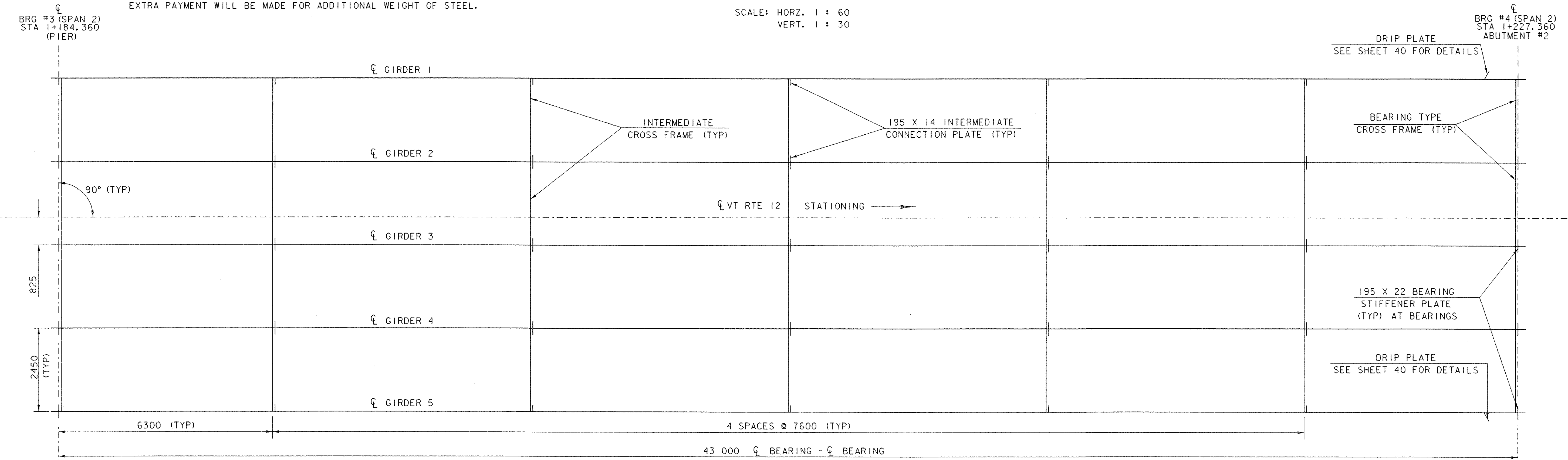
NOTE: ALL MEMBERS OR PLATES MARKED "CVN" AND ONLY THOSE MEMBERS MUST MEET THE CHARPY V-NOTCH REQUIREMENTS FOR MAIN MEMBERS AS INDICATED IN SECTION 714 OF THE VERMONT STANDARD SPECIFICATIONS FOR CONSTRUCTION.



**GIRDER ELEVATION - SPAN #2**

SCALE: HORZ. 1 : 60  
VERT. 1 : 30

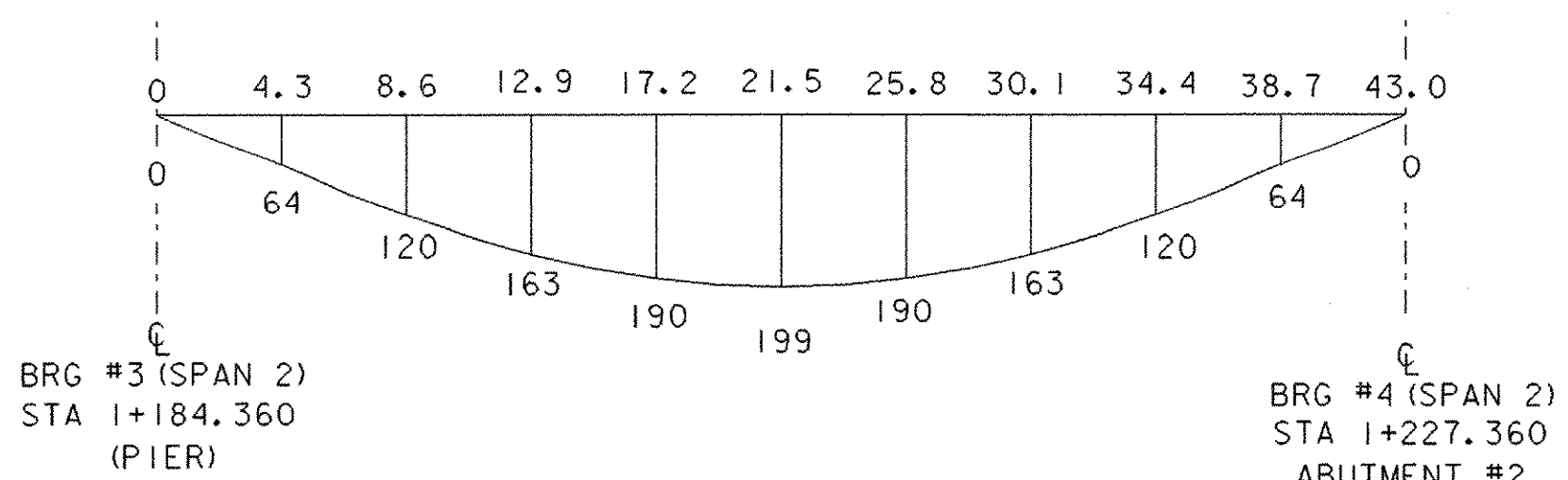
NOTE: THE CONTRACTOR/FABRICATOR MAY SUBSTITUTE 45 PLATE FOR THE ENTIRE BOTTOM FLANGE TO ELIMINATE THE TRANSITION, HOWEVER, NO EXTRA PAYMENT WILL BE MADE FOR ADDITIONAL WEIGHT OF STEEL.



**FRAMING PLAN - SPAN #2**

SCALE: 1 : 60

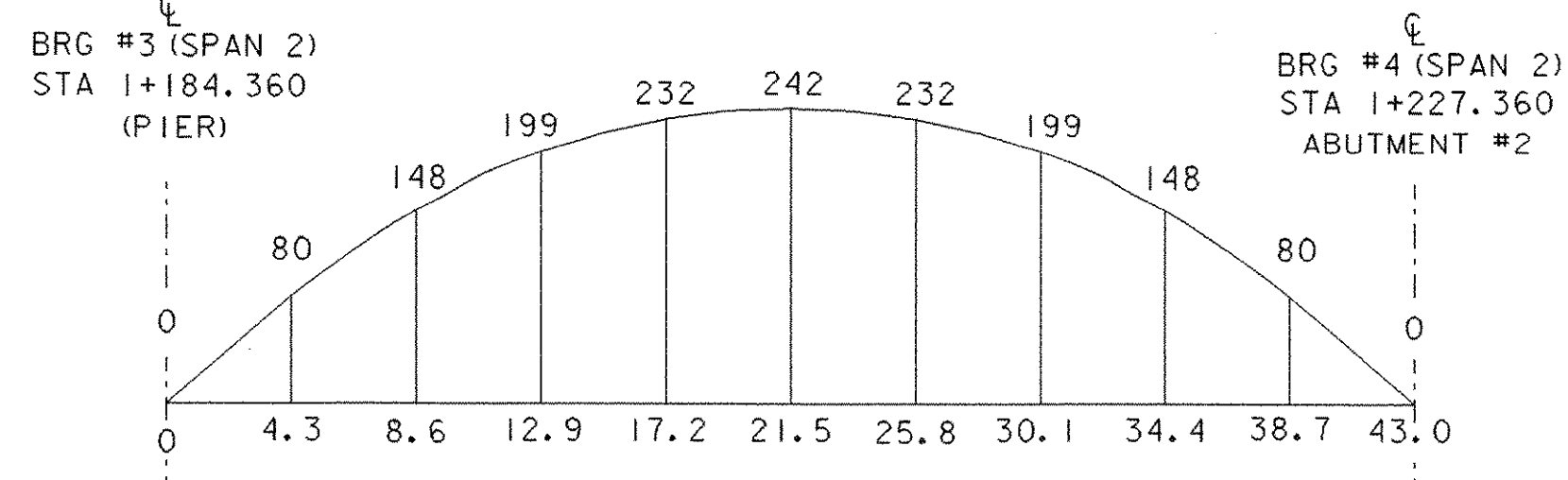
NOTE: ALL NEW STEEL PAID FOR UNDER THE ITEM 506.55 "STRUCTURAL STEEL (PLATE GIRDER)" SHALL CONFORM TO M270/M270M GRADE 345W.



**DEAD LOAD DEFLECTION DIAGRAM**

NOT TO SCALE

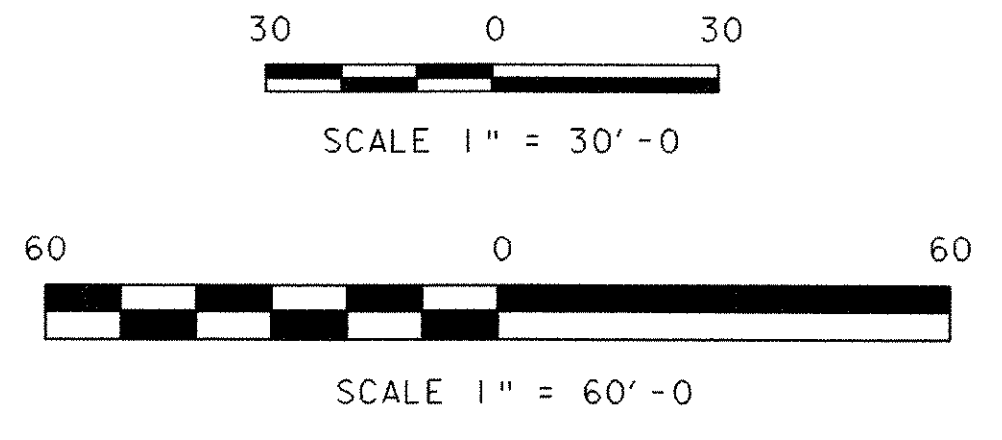
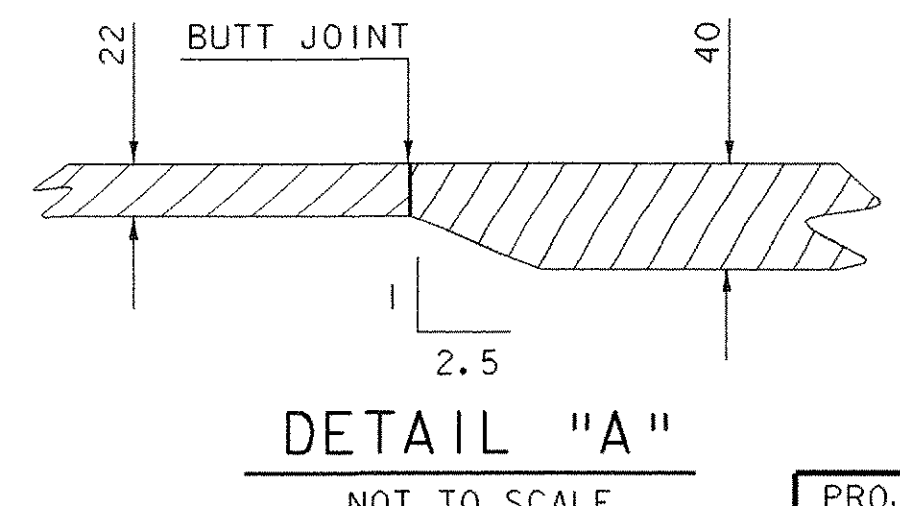
NOTE: DEAD LOAD DEFLECTION DIAGRAM INCLUDES 36 mm DEAD LOAD DEFLECTION @ MIDSPAN DUE TO BEAM SELFWEIGHT.



**CAMBER DIAGRAM**

NOT TO SCALE

NOTE: CAMBER DIAGRAM INCLUDES 36 mm DEAD LOAD DEFLECTION @ MIDSPAN DUE TO BEAM SELFWEIGHT. TOTAL CAMBER @ MIDSPAN MEASURED WHEN BEAM IS SUPPORTED ONLY AT BEARING POINTS SHALL BE 193.



PROJECT: <b>BETHEL</b>	PROJECT NO.: <b>BRF0241 (33) C/2</b>
DESIGN FILE NAME: 02c180\Structures\02c180sup.dgn	PLOT DATE: 15-APR-2005
IPARM FILE NAME: s02c180sp2fp.i	DESIGNED BY: K.HIGGINS
SQUAD LEADER: C.P.WILLIAMS	DRAWN BY: T.ANDERSON
SPAN #2 FRAMING PLAN	CHECKED BY: K.HIGGINS
	SHEET: 38 OF 130