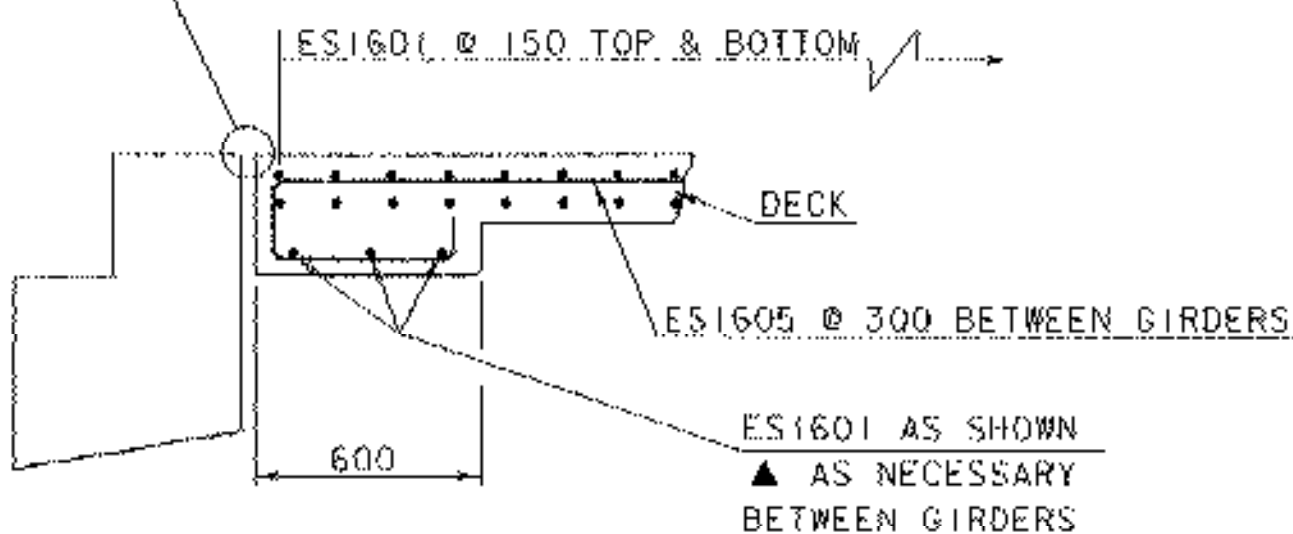


TYPICAL SECTION - SPAN #2

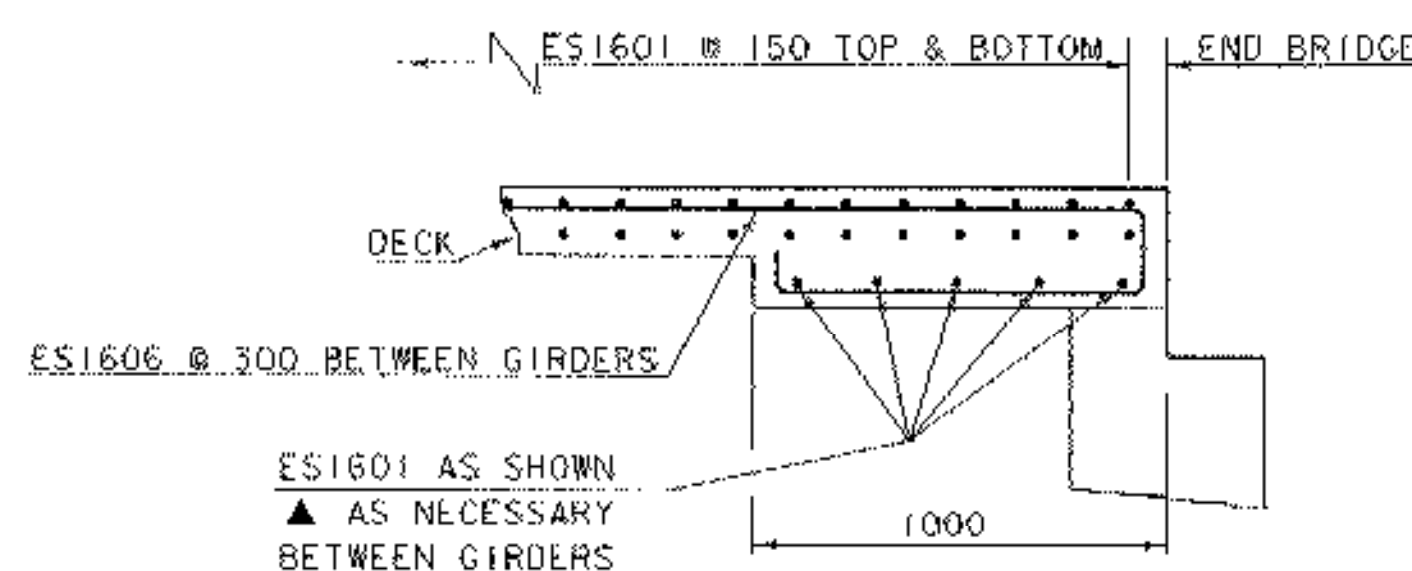
Scale 1:40

SEE EXPANSION JOINT DETAILS ON SHEET 44-45



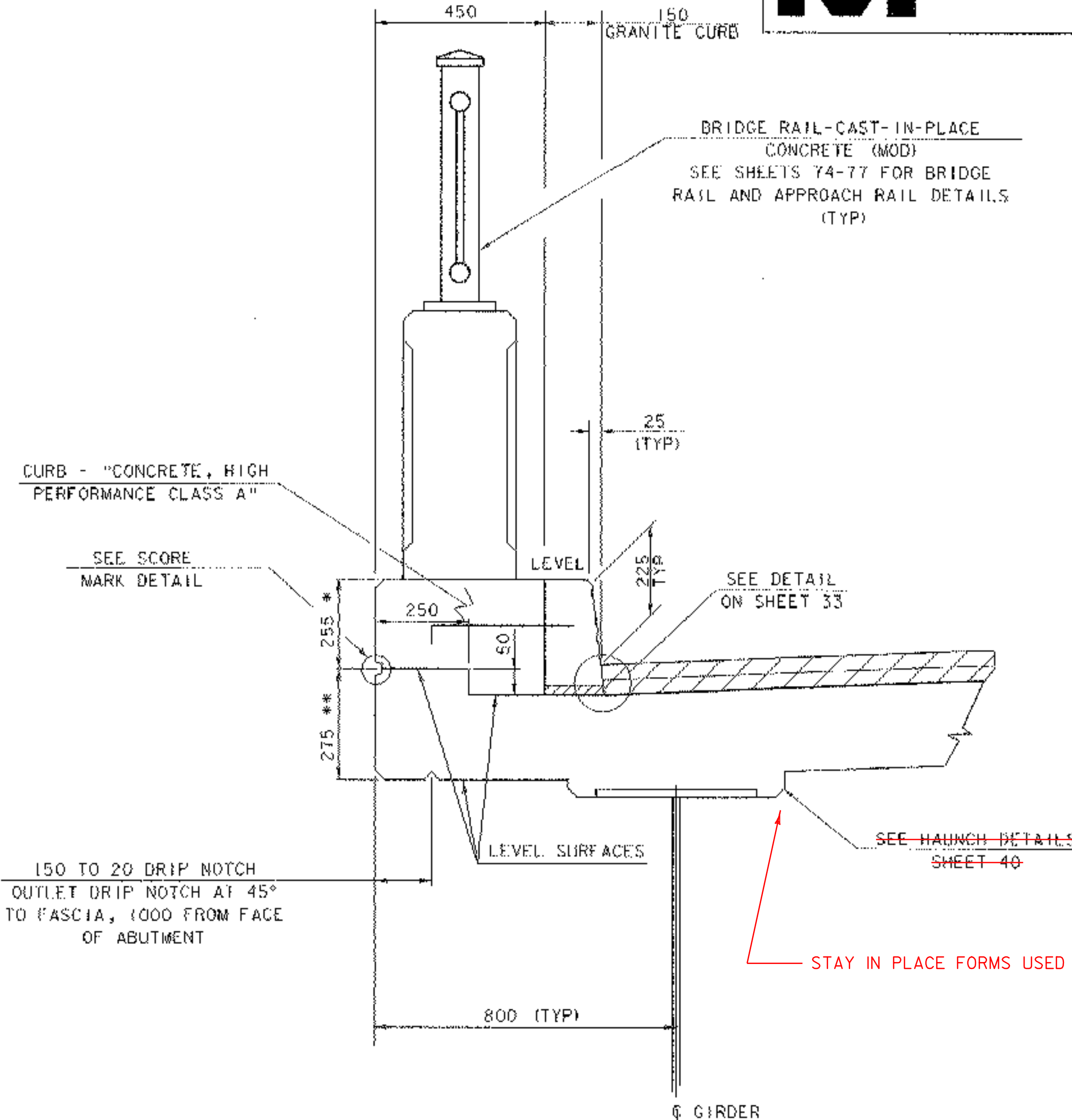
SECTION A-A

NOT TO SCALE



SECTION B-B

NOT TO SCALE



CURB DETAIL - SPAN #2

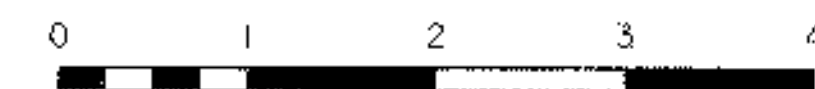
SCALE 1:10

NOTES:

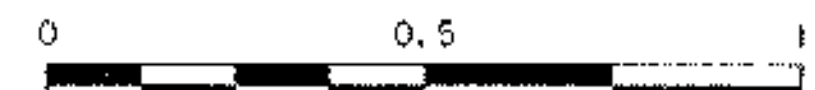
- NF = NEAR FACE
- FF = FAR FACE
- EF = EACH FACE
- ▲ = CUT TO FIT IN FIELD
- 80 CLR. UNLESS OTHERWISE SPECIFIED ON THE PLANS.
- ALL LAPS SHALL BE 660 UNLESS NOTED OTHERWISE

SCORE MARK DETAIL

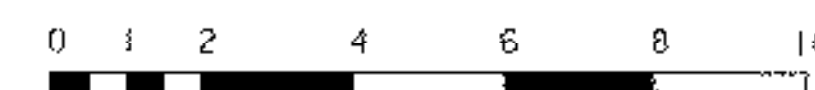
NOT TO SCALE



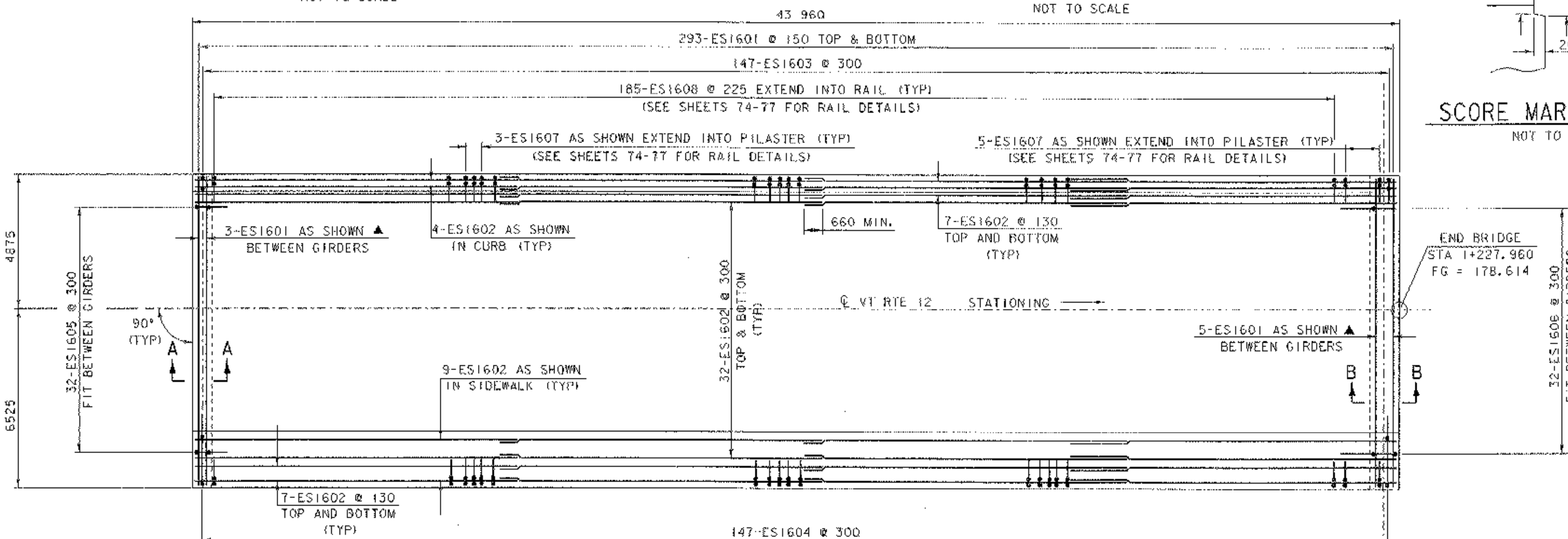
SCALE = 1:40



SCALE = 1:10



SCALE = 1:100



DECK REINFORCING PLAN - SPAN #2

Scale 1:100

BRG #3 (SPAN 2)  
STA 1+184.360  
FG=181.710  
(PIER)

BRG #4 (SPAN 2)  
STA 1+227.360  
FG=178.657  
ABUTMENT #2

PROJECT: <b>BETHEL</b>	PROJECT NO. 1 <b>BRF0241 (33) C/2</b>
DESIGN FILE NAME: 02c180\structures\02c180sup.dgn	PLOT DATE: 15-APR-2005
IPARM FILE NAME: 02c180sp2plan.i	DESIGNED BY: K.HIGGINS
SQUAD LEADER: C.P.WILLIAMS	DRAWN BY: T.ANDERSON
SPAN #2 REINFORCING PLAN	CHECKED BY: K.HIGGINS
	SHEET: 37 OF 130