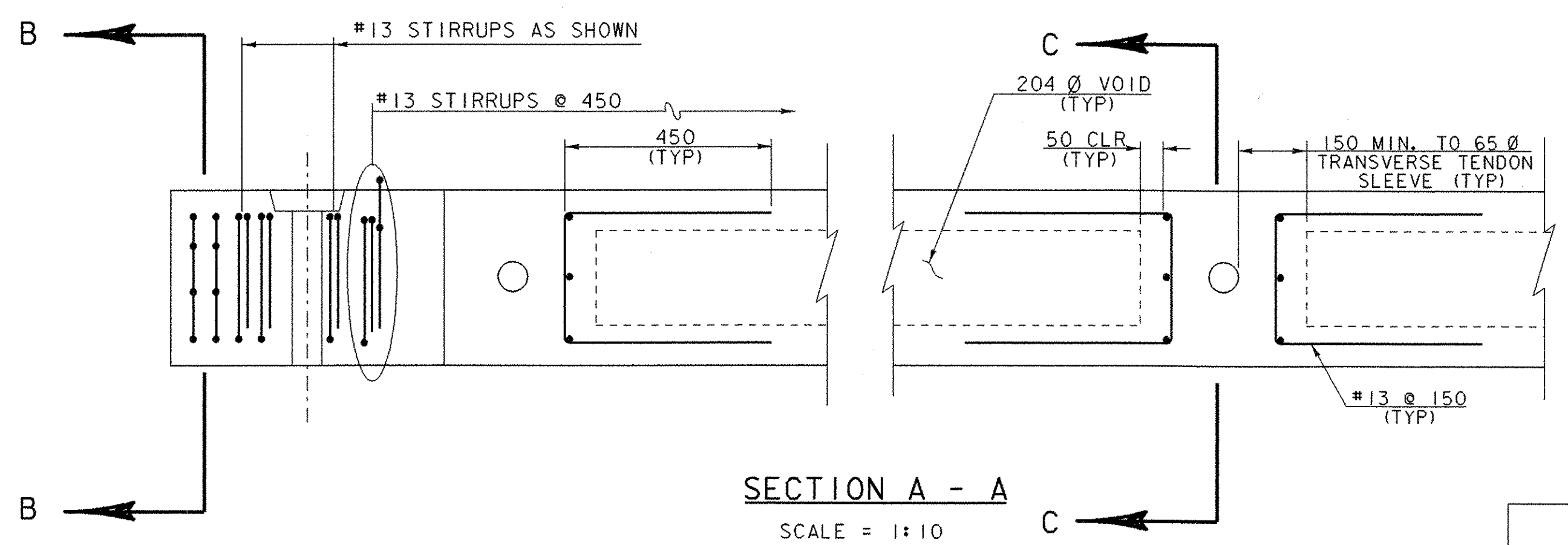
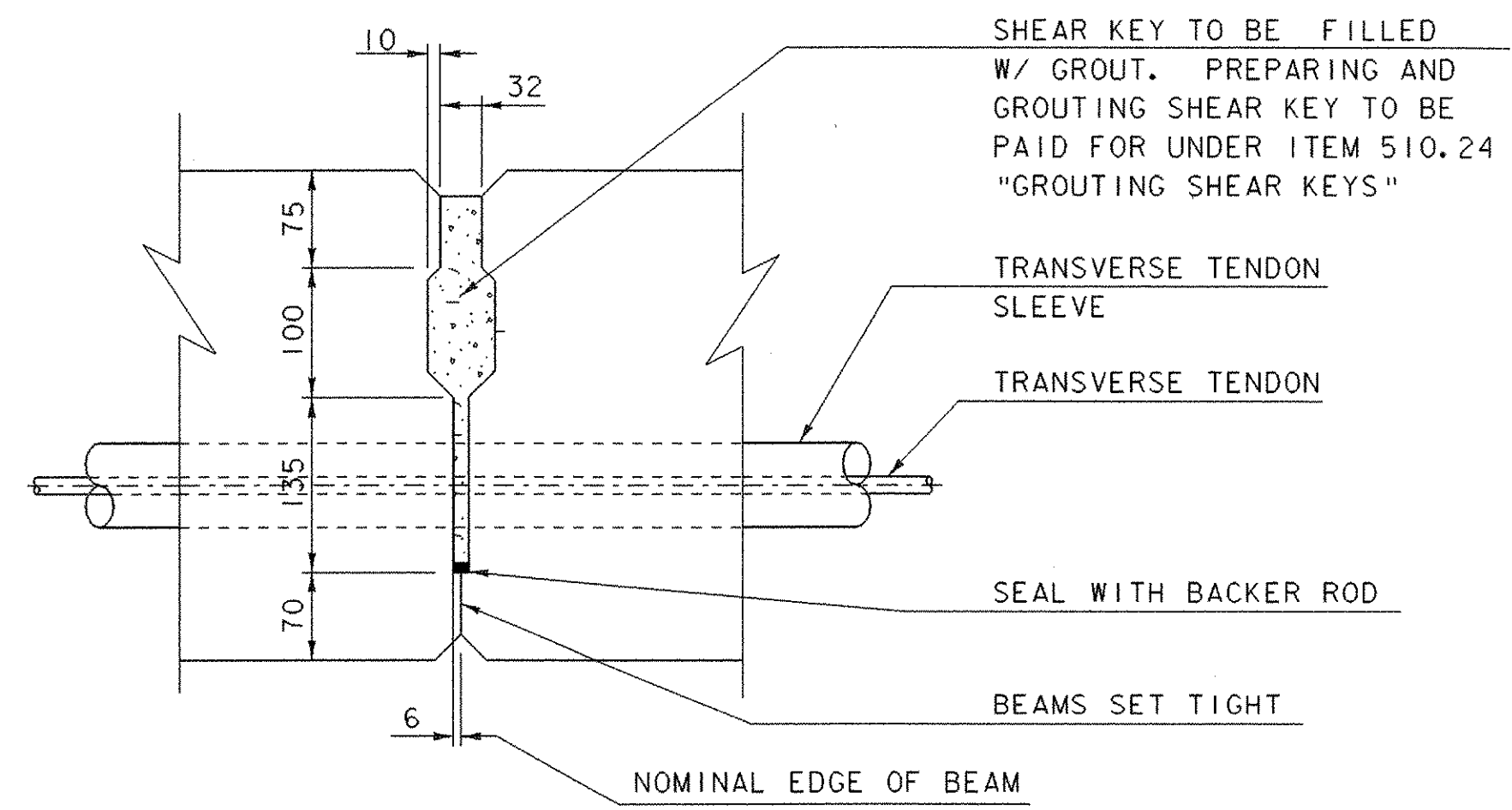


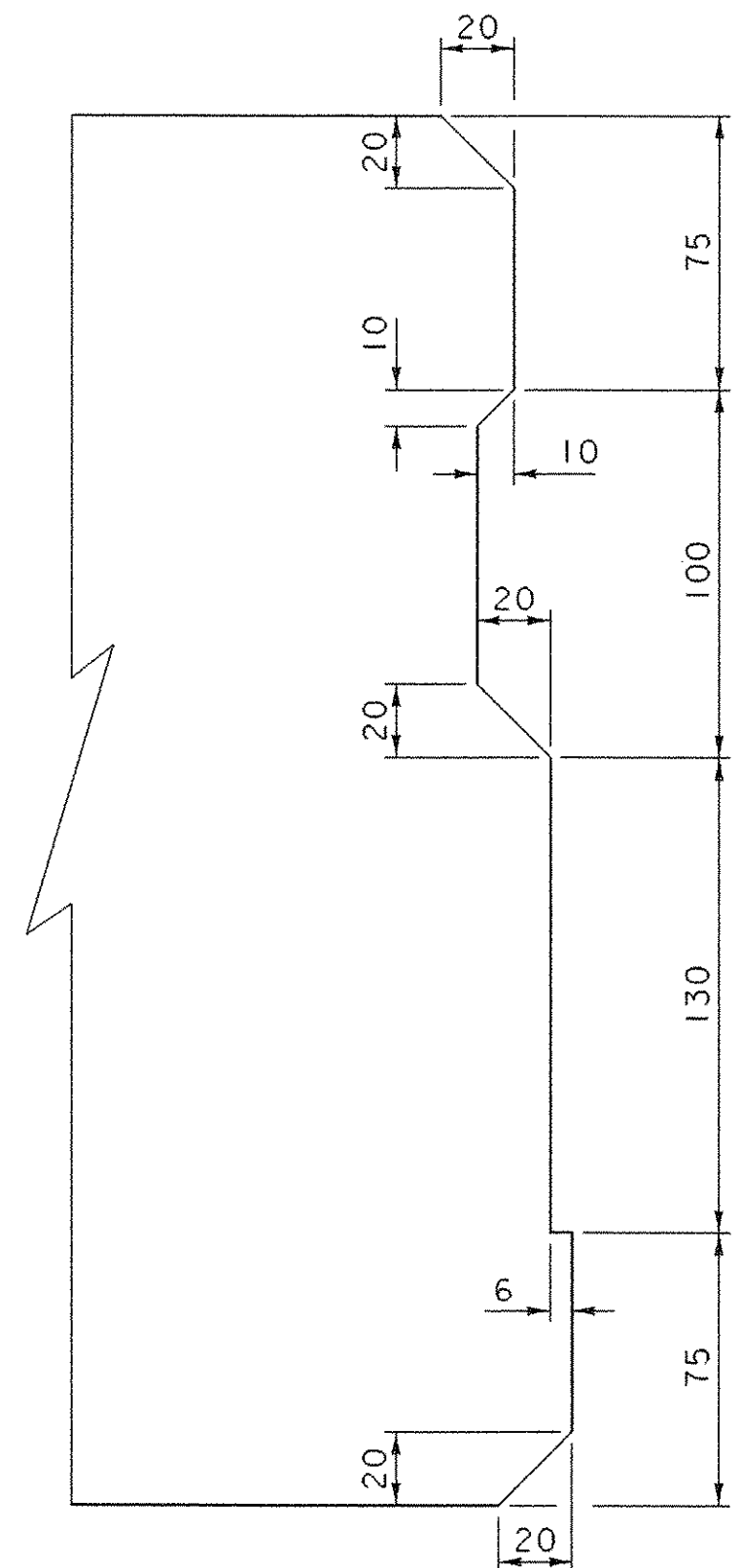
PLAN OF END BLOCK
SCALE = 1:10



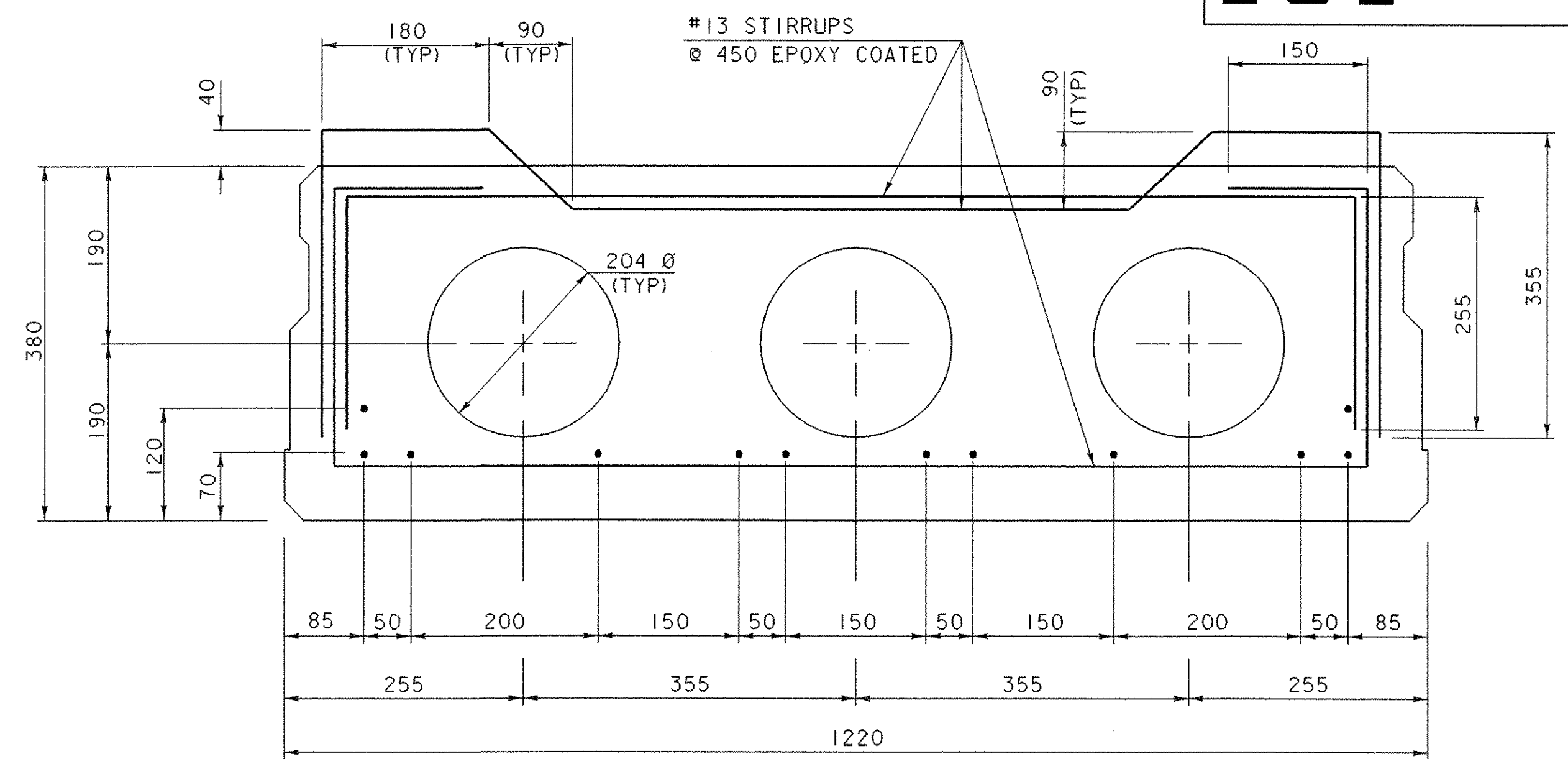
SECTION A - A
SCALE = 1:10



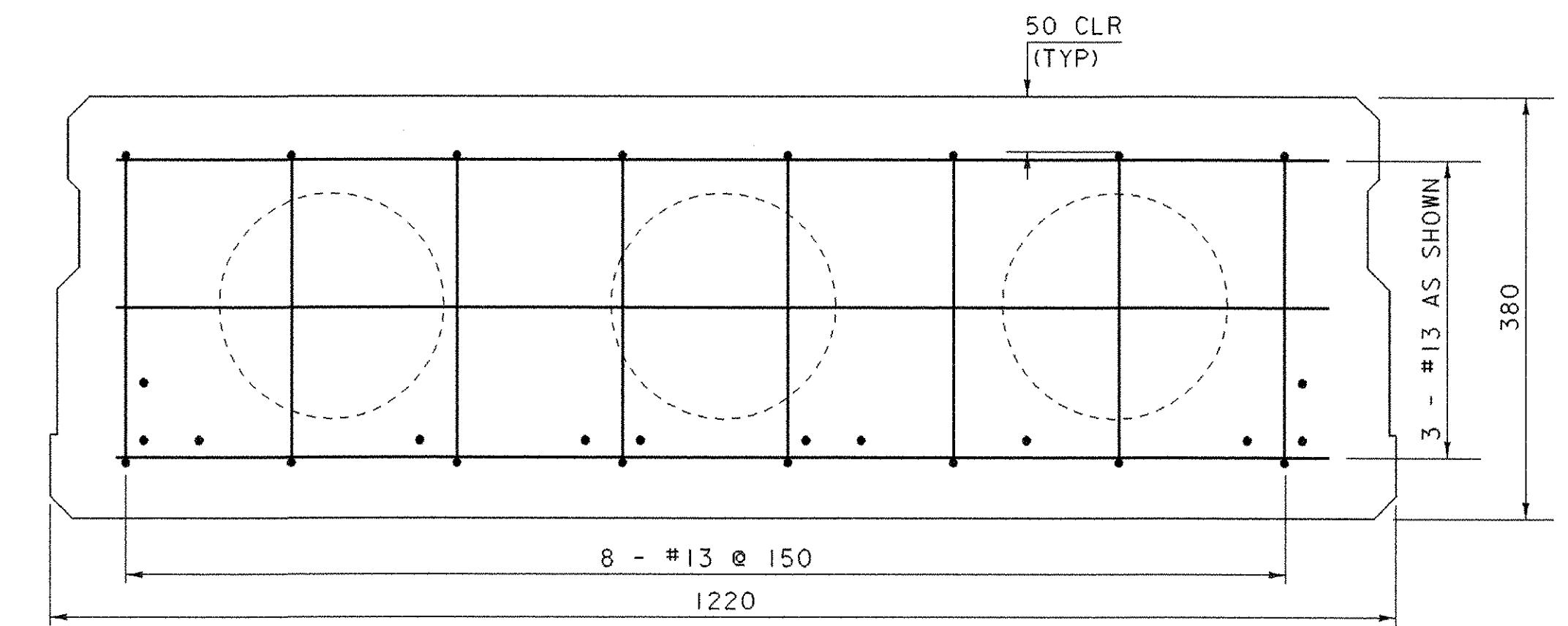
SHEAR KEY SECTION
SCALE = 1:5



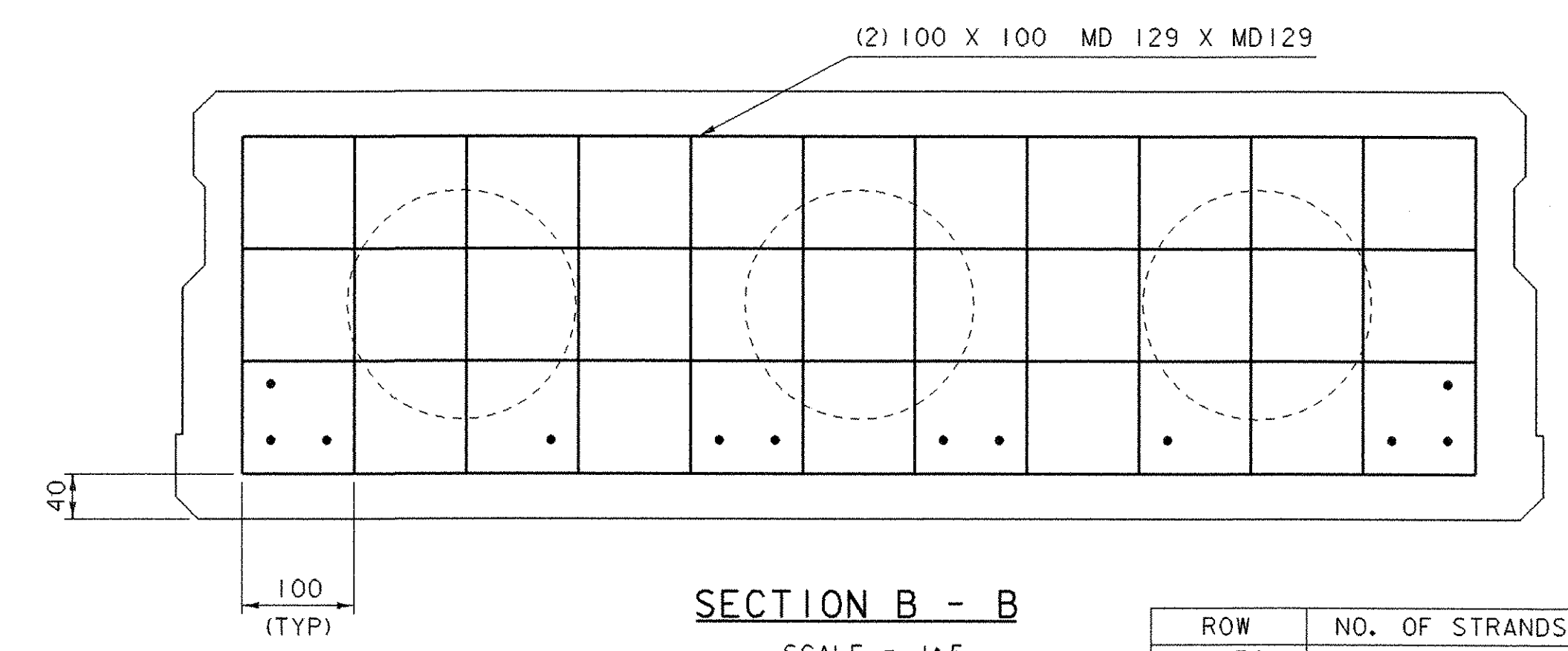
SHEAR KEY DETAIL
SCALE 1:2



TYPICAL VOIDED SLAB SECTION
SCALE = 1:5



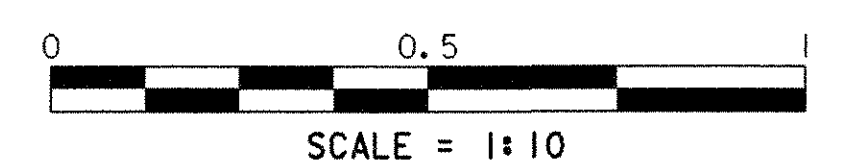
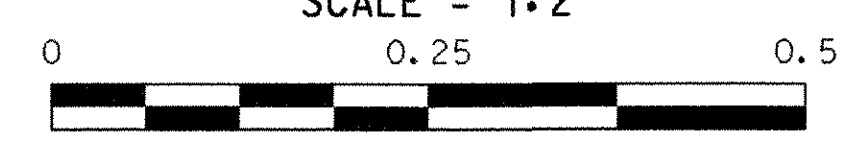
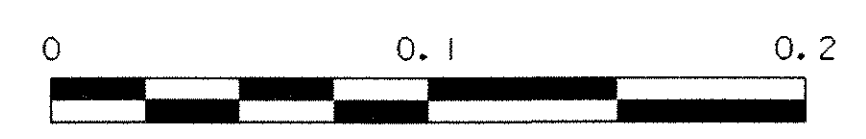
SECTION C - C
SCALE = 1:5



SECTION B - B
SCALE = 1:5

ROW	NO. OF STRANDS
1 @ 70	10 STRANDS
2 @ 120	2 STRANDS

- ROWS ARE ALWAYS AT SPECIFIED DISTANCE FROM BOTTOM OF UNIT.
- STRANDS SHALL BE 15.25mm Ø, 1860 MPa LOW RELAXATION TYPE CONFORMING TO AASHTO M203M/M203.



PROJECT: BETHEL	PROJECT NO.: BRF0241 (33) C/2
DESIGN FILE NAME: 02c180\Structures\02c180sup.dgn	IPARM FILE NAME: s02c180endblock.i
DESIGNED BY: K. HIGGINS	PLotted DATE: 15-APR-2005
SQUAD LEADER: C. P. WILLIAMS	DRAWN BY: M. LONGSTREET
SPAN #1 VOIDED SLAB DETAILS	CHECKED BY: K. HIGGINS
	SHEET: 35 OF 130