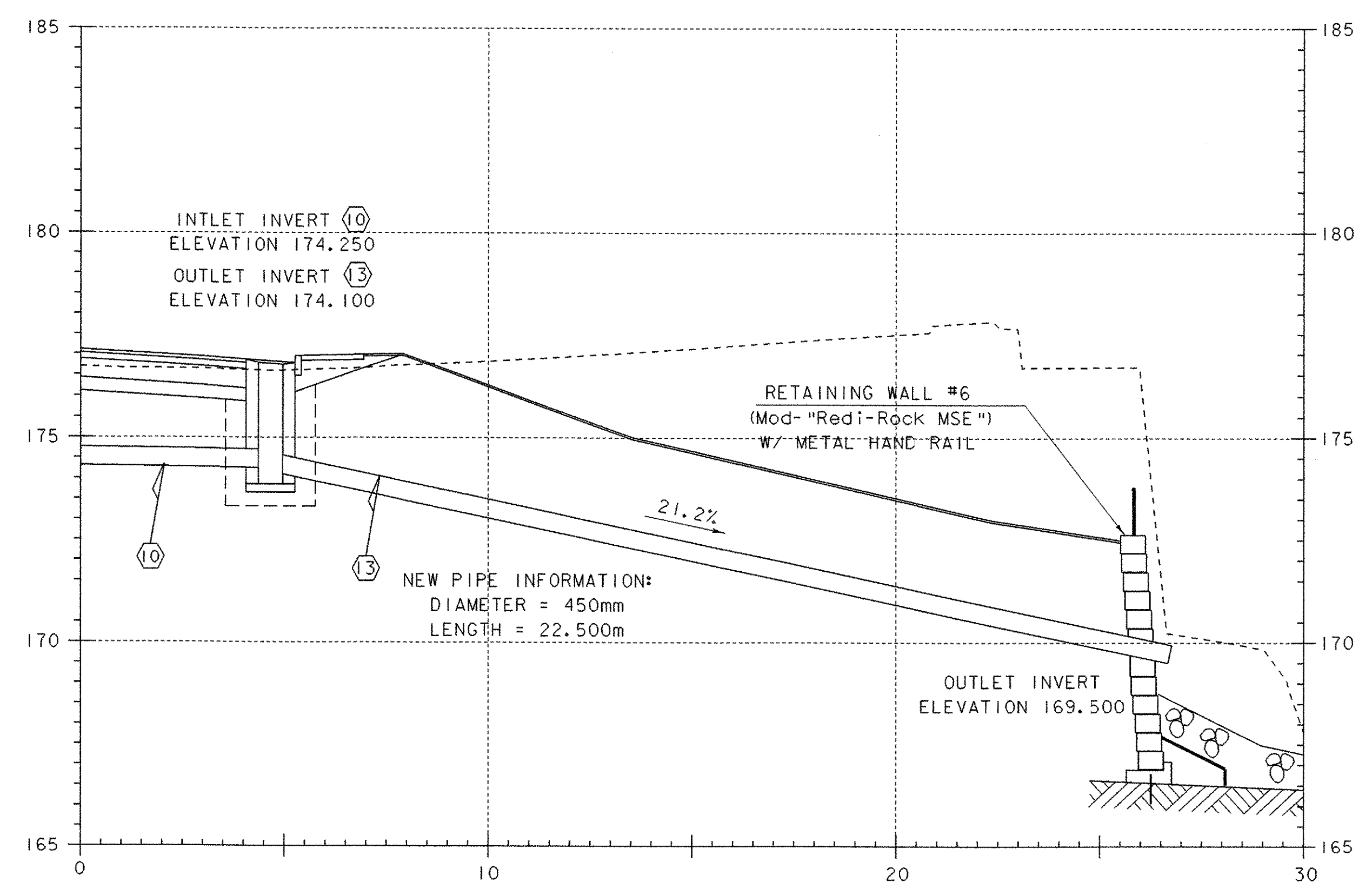
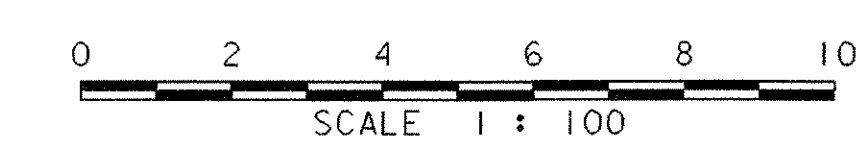


PROFILE PIPE 10



PROFILE PIPE 13



PROJECT: BETHEL	PROJECT NO. : BRF0241 (33) C/2
DESIGN FILE NAME: 02c180/Structures/s02c180xsec.dgn	PLOT DATE: 14-APR-2005
IPARM FILE NAME: sc180pipsec2.i	
PIPE PROFILES SHEET 2	
PIPE 10 & 13	SHEET: 17 OF 130