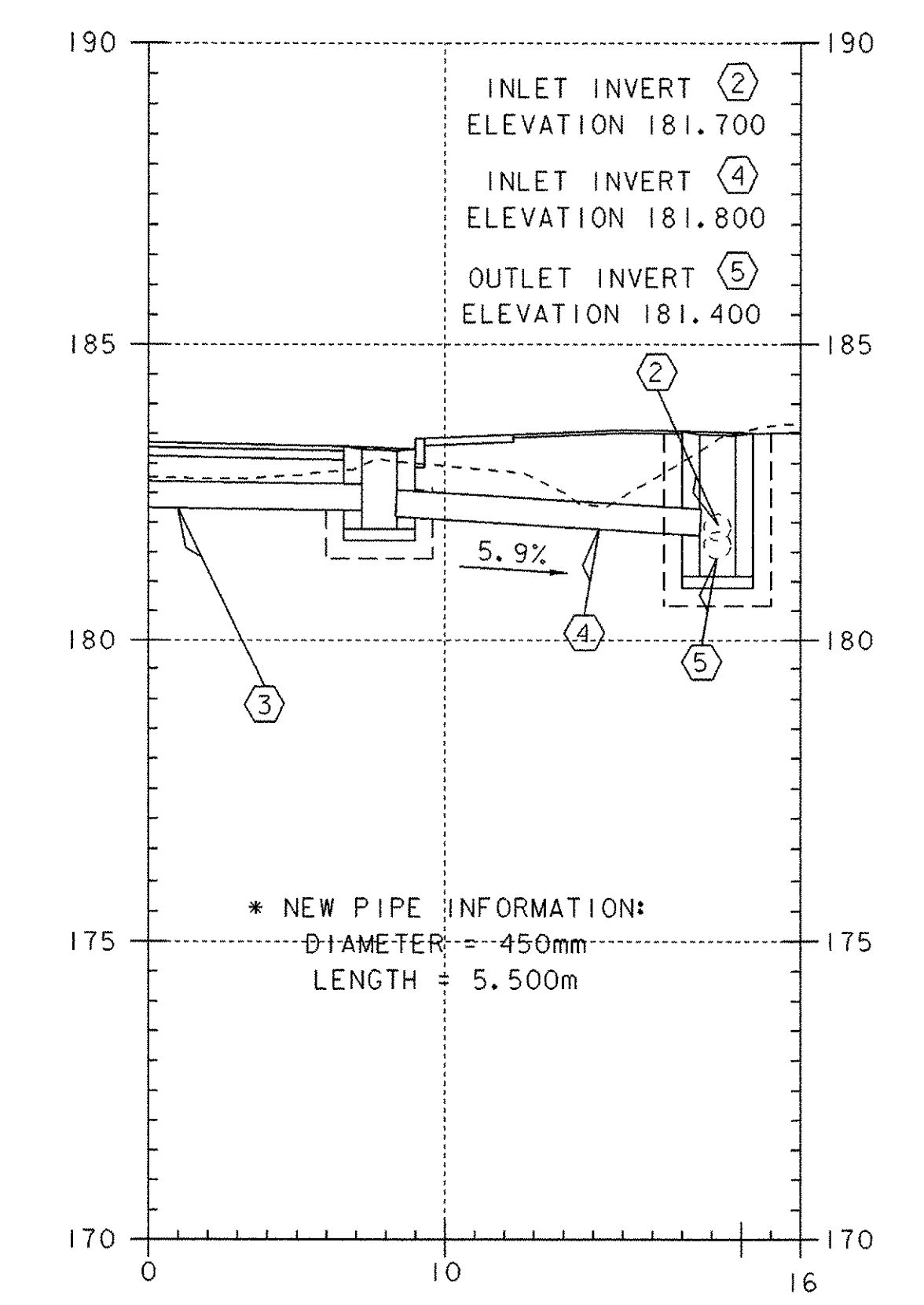
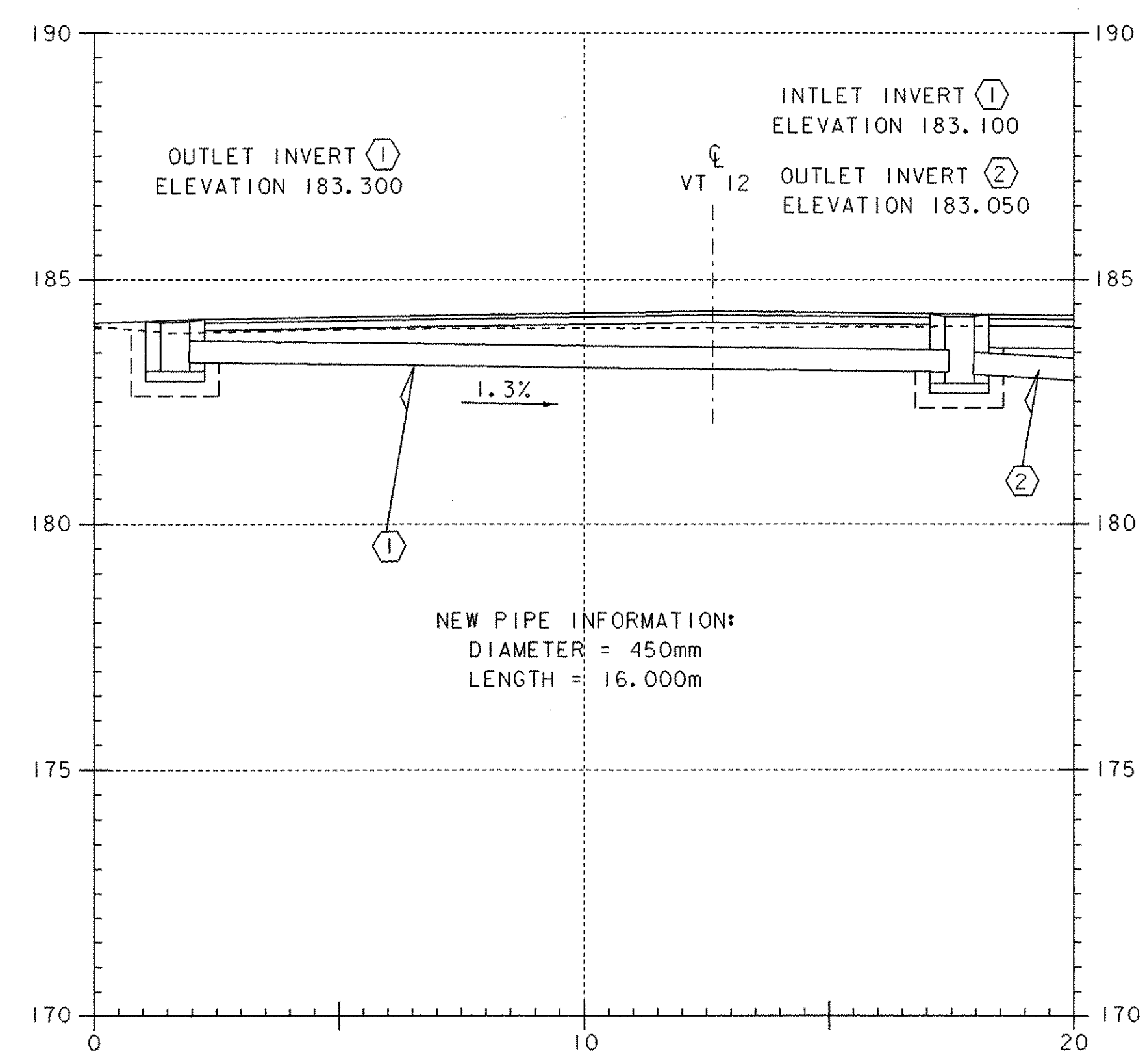


PROFILE PIPE 2

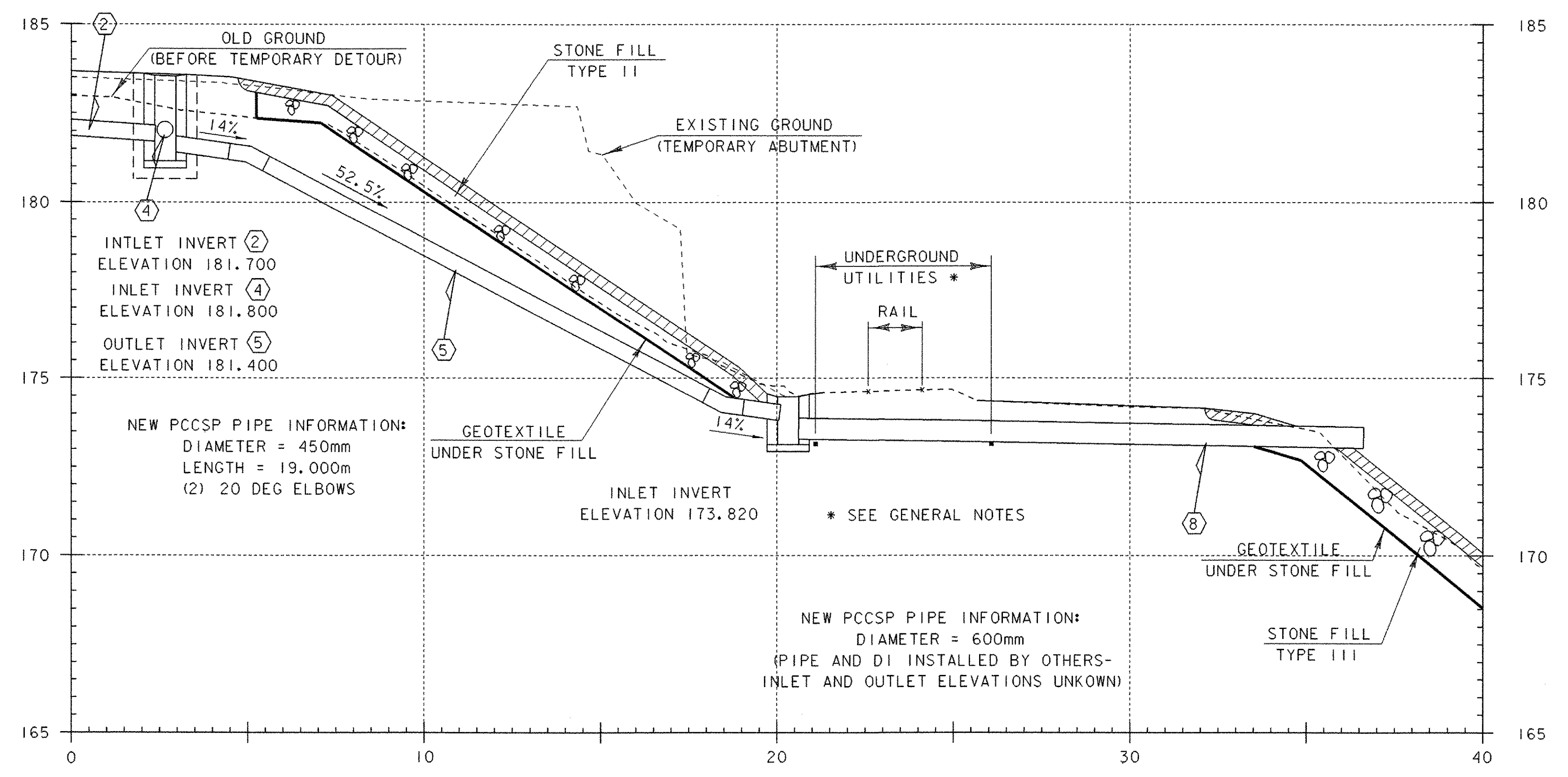


* SEE MAINLINE SECTION 1 + 160 FOR PIPE PROFILE

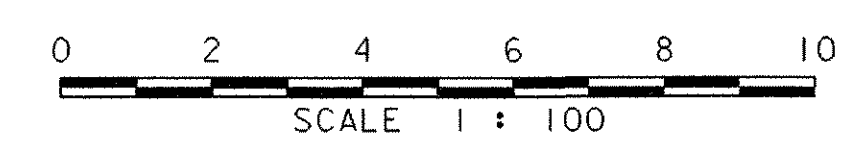
PROFILE PIPE 4



PROFILE PIPE 1



PROFILE PIPES 5 & 8



PROJECT: BETHEL	PROJECT NO. # BRF0241 (33) C/2
DESIGN FILE NAME: 02o180/Structures/e02o180xsec.dgn	PLOT DATE: 14-APR-2005
IPARM FILE NAME: sc180pipsec.i	
PIPE PROFILES SHEET 1	
PIPES 1, 2, 4, 5 & 8	SHEET: 16 OF 130