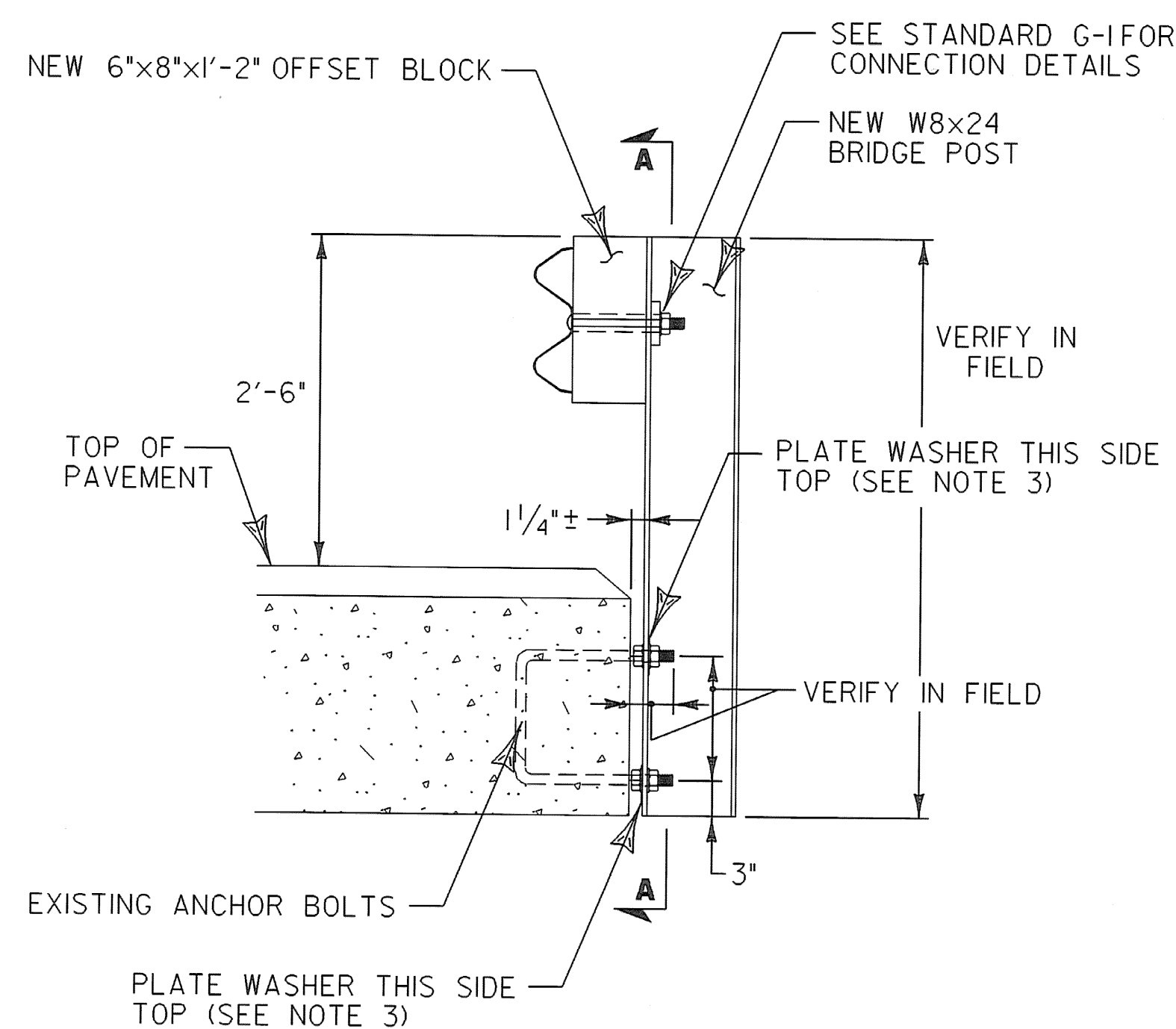
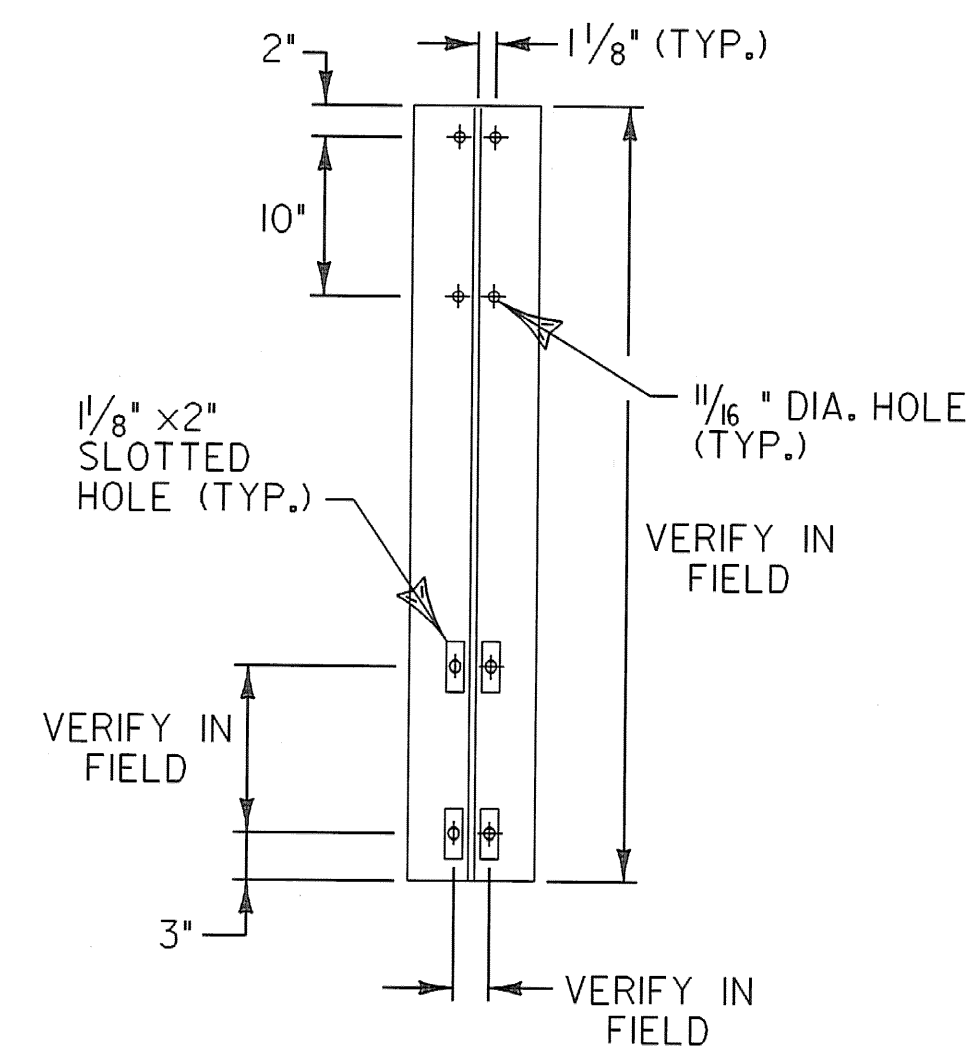


BR #5 STA. 174+80.88
SEE ITEM DETAIL SHEETS



BR #5 BRIDGE POST DETAIL



SECTION A-A

NOT TO SCALE

NOTES:

1. LOCATION OF EXISTING ANCHOR BOLTS TO BE VERIFIED IN THE FIELD BY THE CONTRACTOR PRIOR TO ORDERING BRIDGE POSTS.
2. POSTS SHALL BE SHOP CUT AND DRILLED PRIOR TO GALVANIZING.
3. SEE STANDARD SHEET SB-R6-82 FOR ADDITIONAL DETAILS.

TYPICAL SHEET #4

PROJECT NAME:	SPRINGFIELD
PROJECT NUMBER:	STP 0136(1)
FILE NAME: ...02C084...02C084_typ.dgn	PLOT DATE: 07-JAN-2009
PROJECT LEADER: K. UPMAL	DRAWN BY: B. KIPPAN, PAPPAS
DESIGNED BY: B. KIPPAN, PAPPAS	CHECKED BY: N. PAPPAS
IPARM FILE NAME: 02c084_typ_04	SHEET 6 OF 68