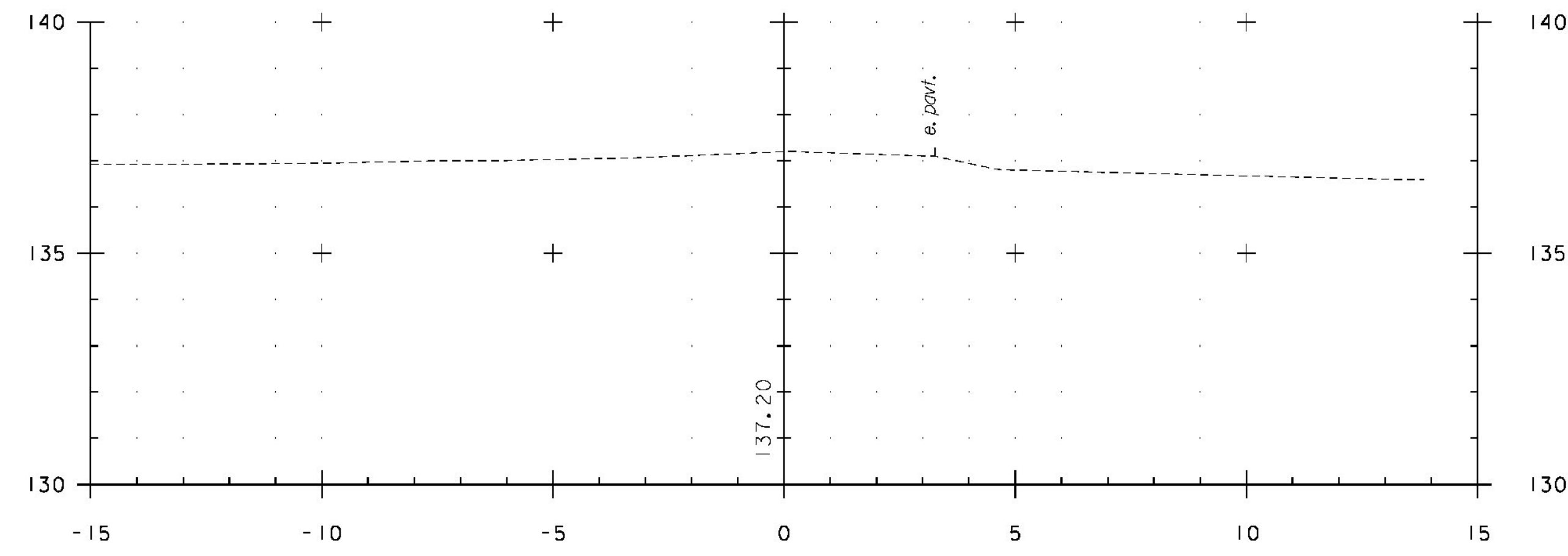
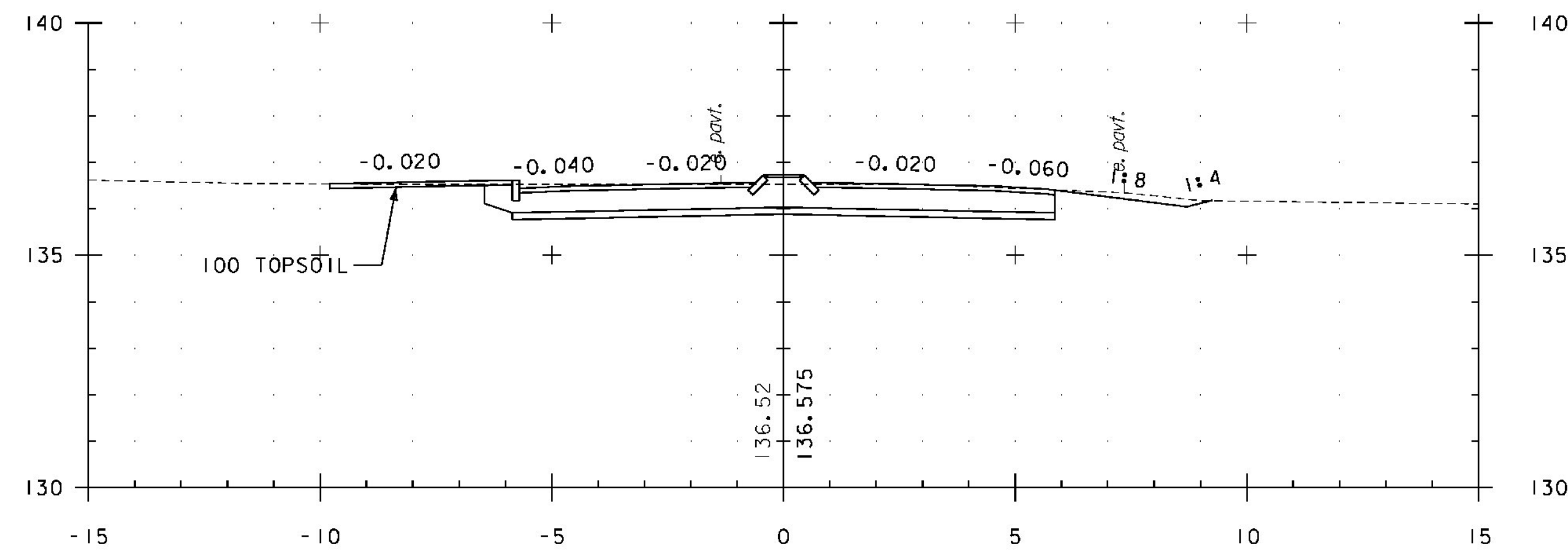


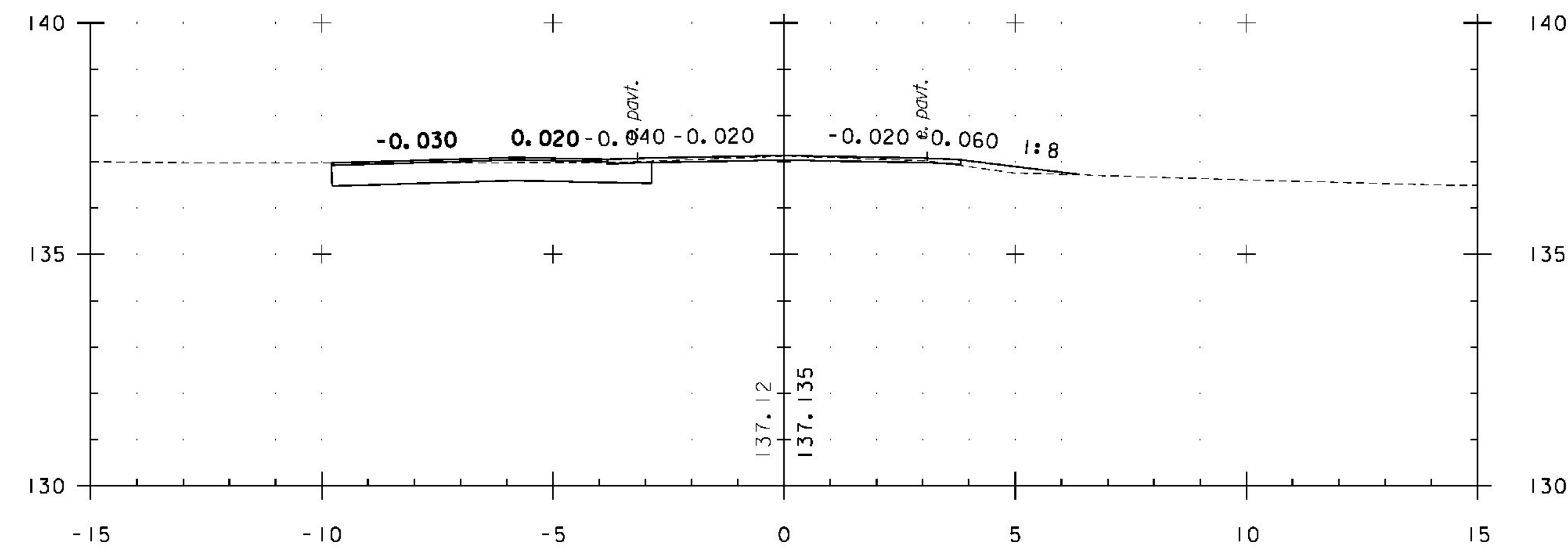
I+040.0
DRIVE RT



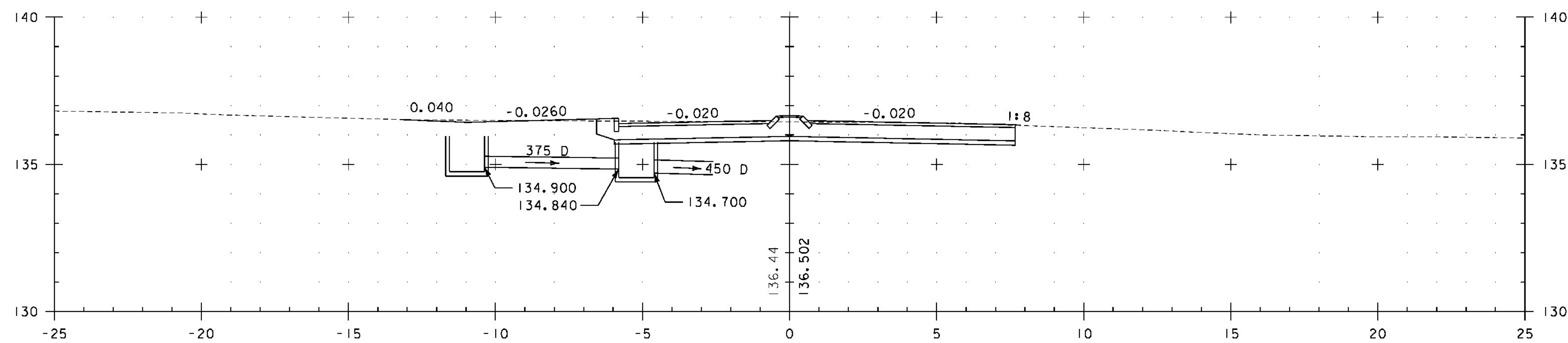
I+080.0



I+020.0



I+060.0
DRIVE LT



I+015.0



McCONNELL ROAD

PROJECT NAME:	BRANDON	PLOT DATE:	9/3/2009
PROJECT NUMBER:	NH 019-3(495)	DRAWN BY:	NLL
FILE NAME:	zb008s5-xs300.dgn	CHECKED BY:	DAM
PROJECT LEADER:	CRB	SHEET	545 OF 546
DESIGNED BY:	PTS		
CLD	02-0149		