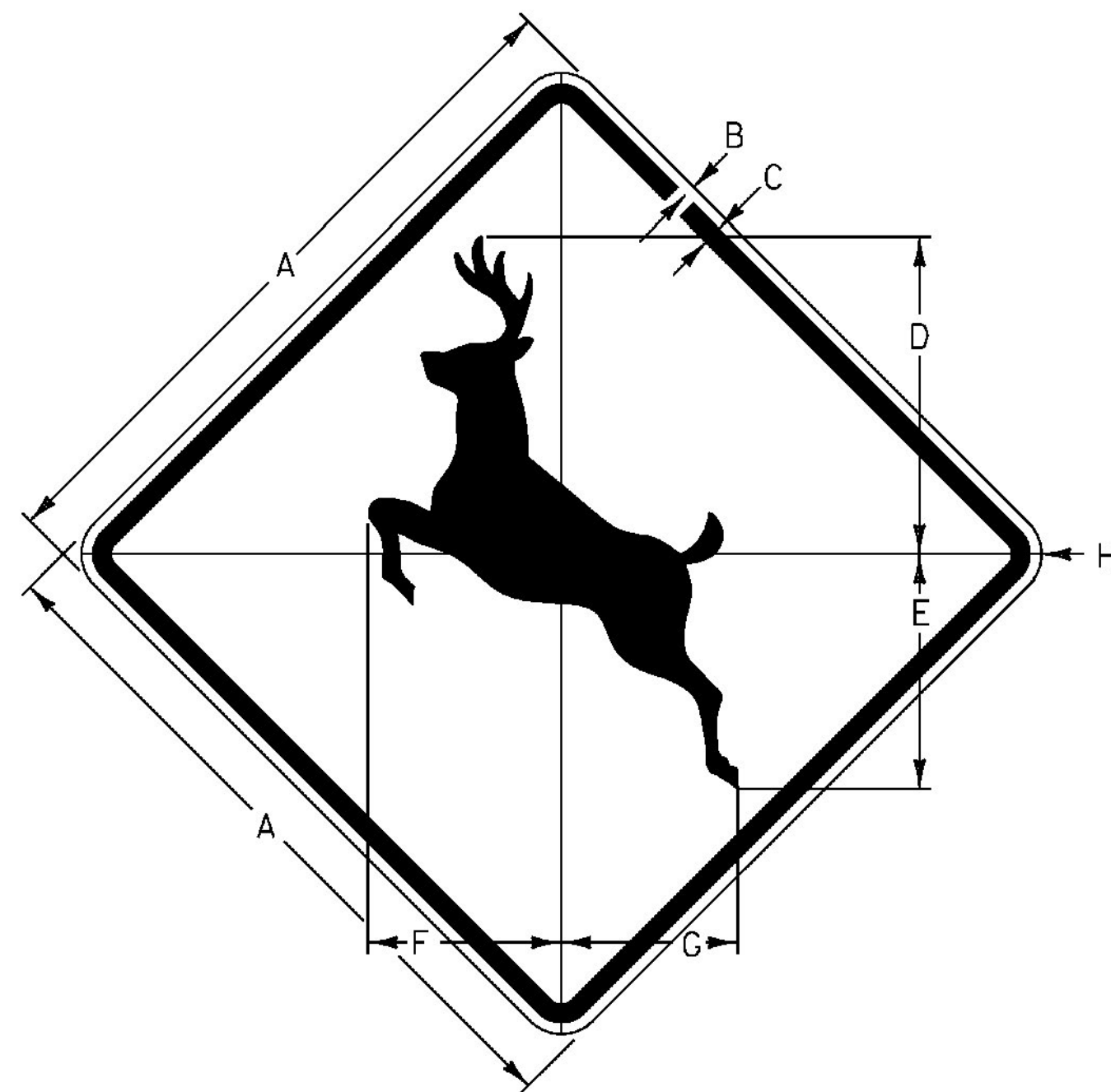


7.96 8.08 7.96
 3.4 17.2 3.4
 6.42 11.16 6.42
 24
 1.50" RADIUS, 0.63" BORDER,
 0.38" INDENT, BLACK ON WHITE;
 [END] C 2K; [SCHOOL] C 2K;
 [ZONE] C 2K;

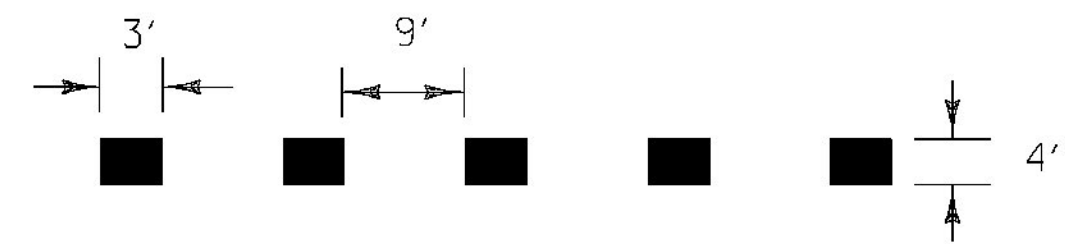
**S5-2
 END SCHOOL ZONE**



**W11-3
 COLORS:
 BLACK SYMBOL & BORDER
 WITH REFL. YELLOW BACKGROUND**

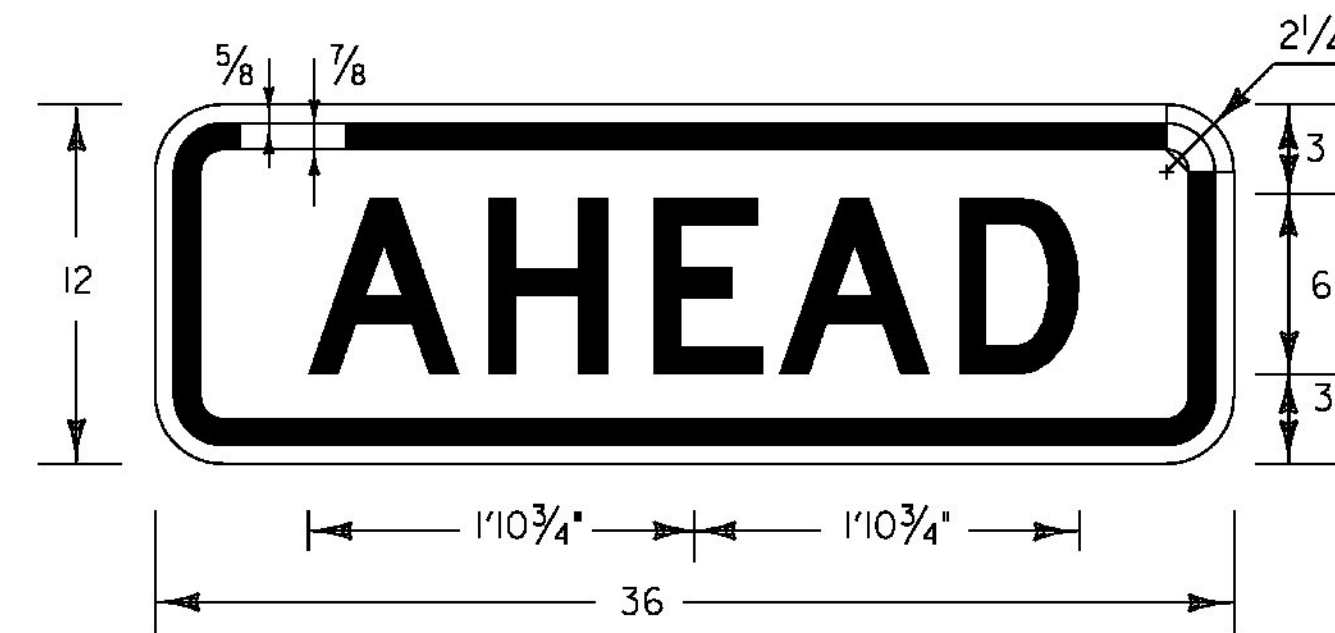
SIGN	DIMENSIONS (INCHES)							
	A	B	C	D	E	F	G	H
MIN	24	3/8	5/8	10 5/8	7 7/8	6 1/2	5 7/8	1 1/2
STD	30	1/2	3/4	13 1/2	10	8 1/4	7 1/2	1 7/8
EXPWY	36	5/8	7/8	16 1/4	12	9 7/8	9	2 1/4
SPECIAL	48	3/4	1 1/4	21 1/4	15 3/4	13	11 3/4	3

**W11-3
 DEER WARNING SIGN**



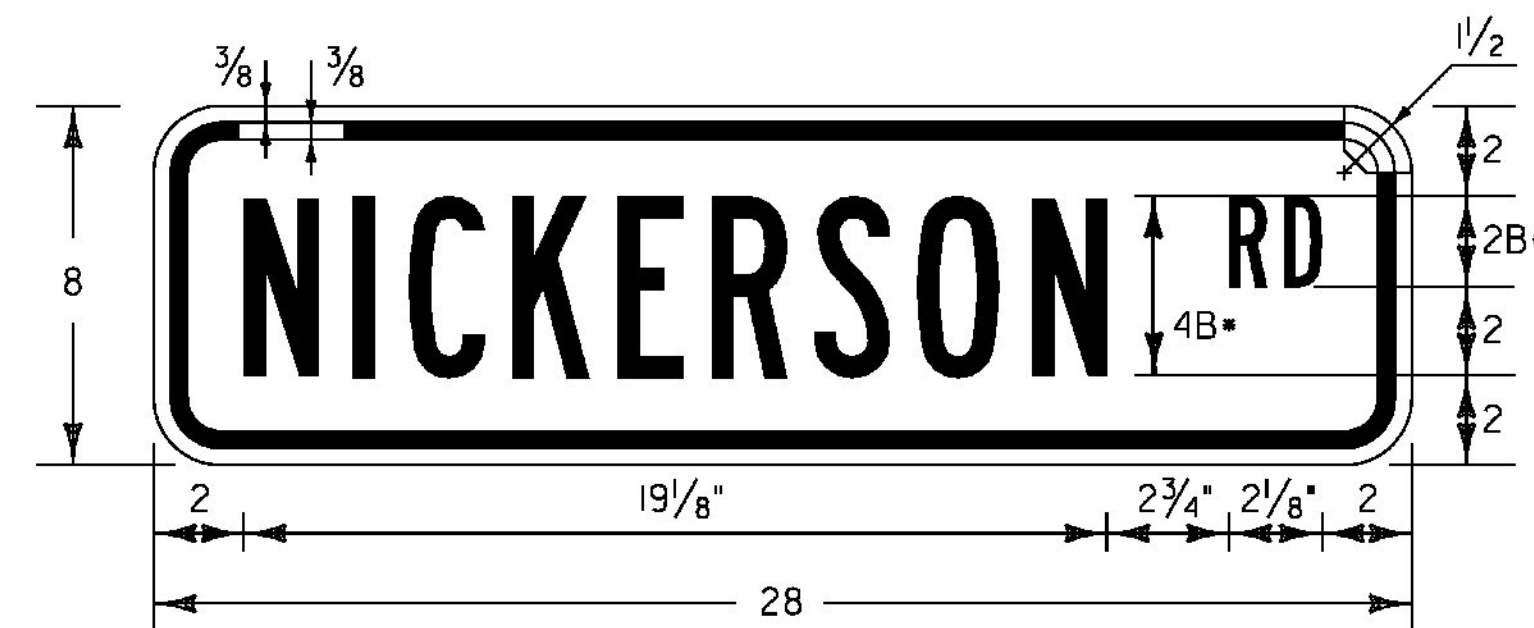
DOTTED WHITE LINE DETAIL

TO BE INSTALLED ONLY AT THE
 DIRECTION OF THE RESIDENT ENGINEER



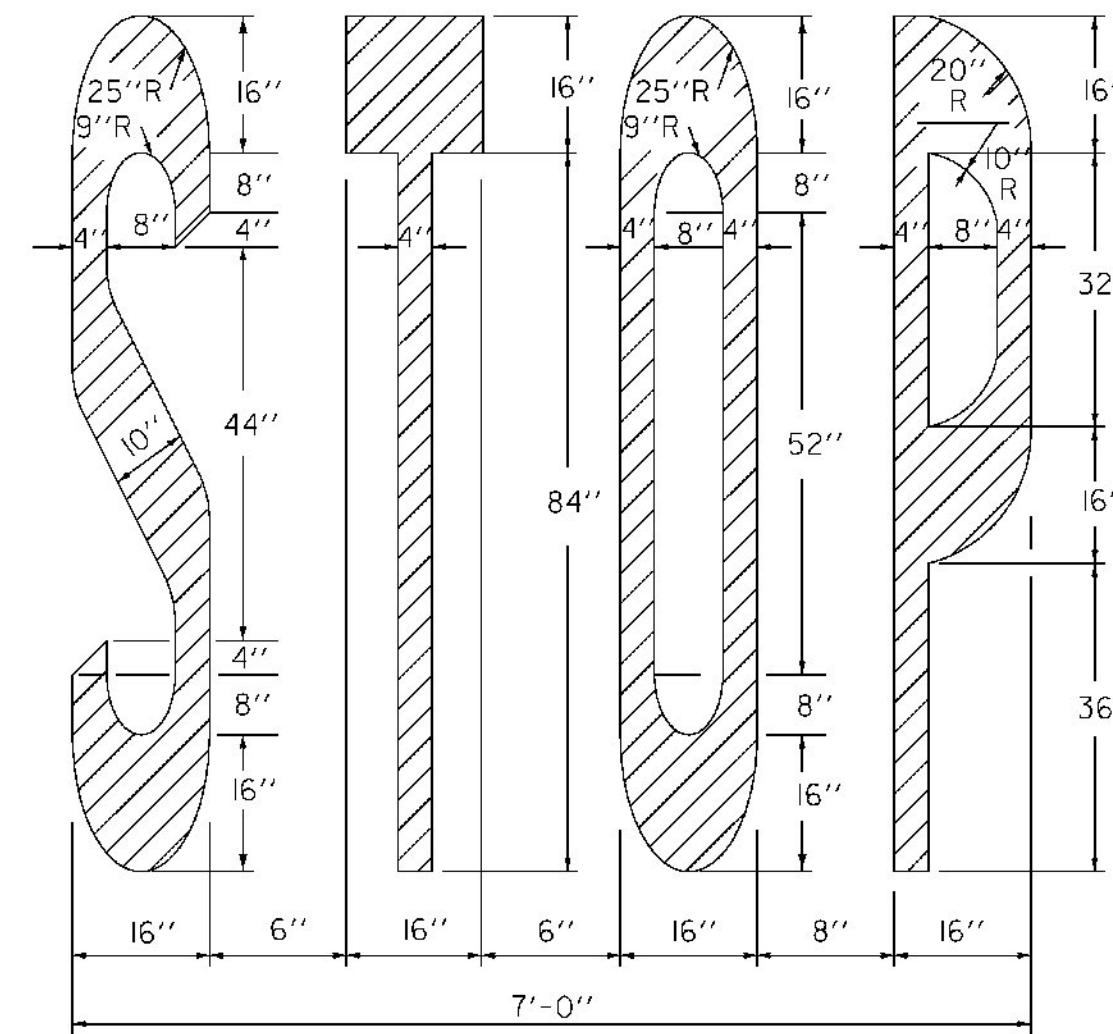
**W16-9P
 AHEAD PLAQUE**

LEGEND - BLACK
 BACKGROUND - YELLOW (RETROREFLECTIVE)
 *SERIES 2000 STANDARD ALPHABETS

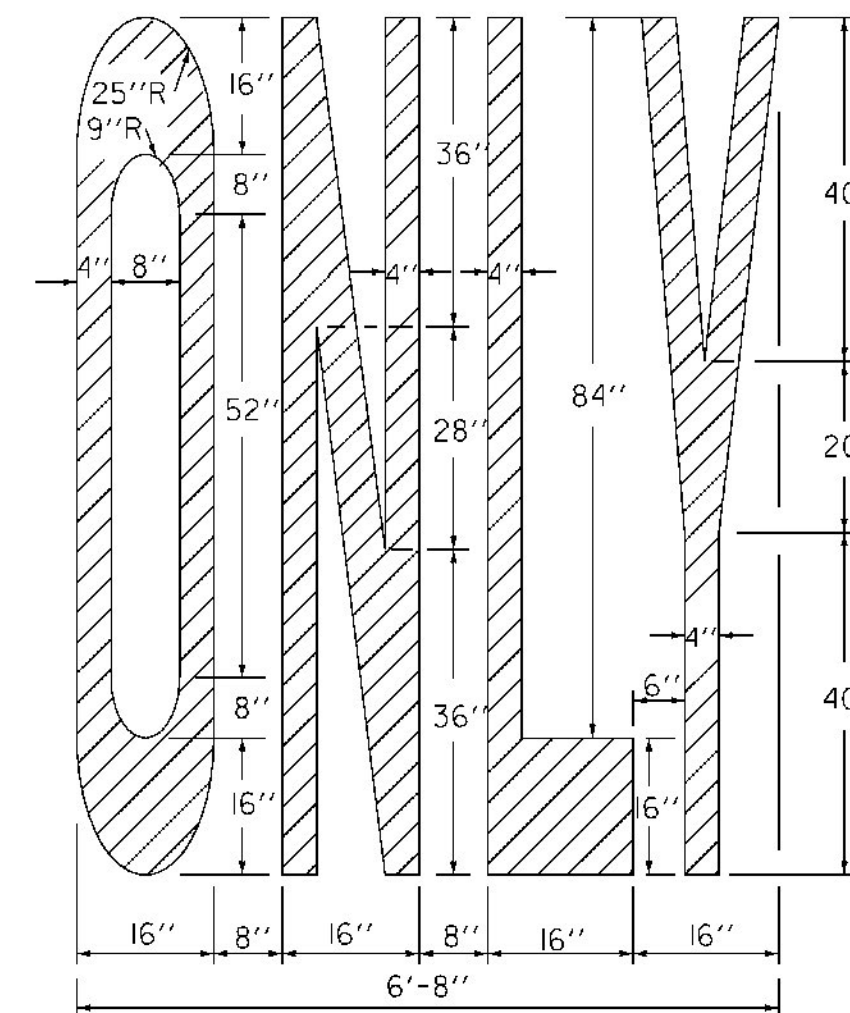


**W16-8
 ADVANCED STREET NAME PLAQUE**

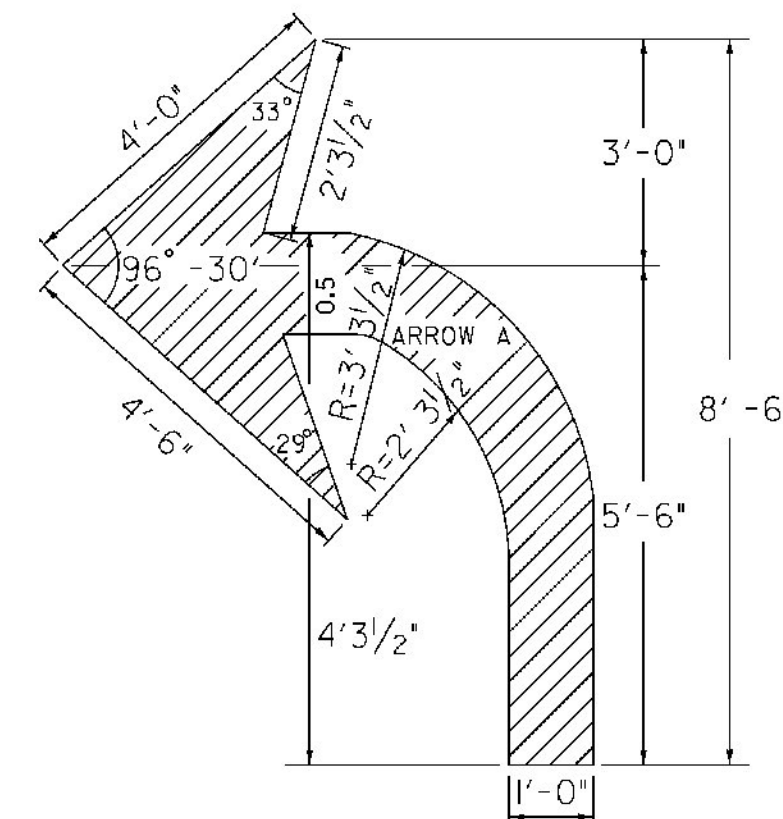
LEGEND - BLACK
 BACKGROUND - YELLOW (RETROREFLECTIVE)
 *SERIES 2000 STANDARD ALPHABETS



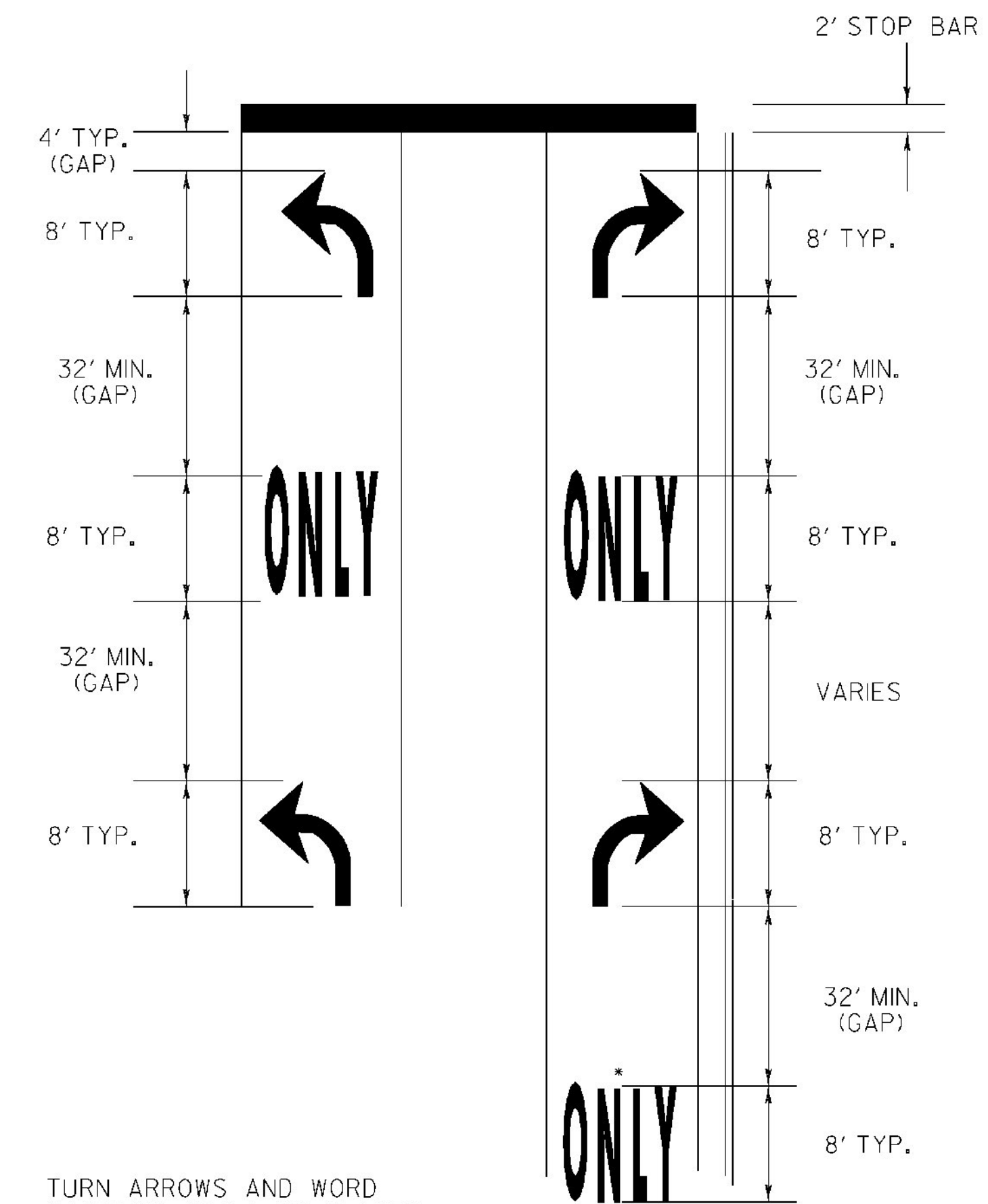
**STOP PAVEMENT
 MARKING DETAIL**



**ONLY PAVEMENT
 MARKING DETAIL**



ARROW DETAIL



TURN ARROWS AND WORD
 MARKINGS SHALL BE PLACED
 AT THE BEGIN AND END OF THE
 LEFT OR RIGHT TURN LANE AND
 IN THE MIDDLE IF THE LANE LENGTH
 EXCEEDS 200'.

IF LANE LENGTH IS LESS THAN
 50 FEET, ONLY ONE TURN ARROW
 PLACED AT THE BEGINNING OF
 THE SOLID LANE LINE, IS REQUIRED.

THE 'ONLY' WORD MARKINGS
 SHALL BE USED TO SUPPLEMENT
 LANE-USE ARROW MARKINGS

THE LONGITUDINAL SPACE
 BETWEEN WORD OR SYMBOL
 MESSAGE MARKINGS,
 SHOULD BE AT LEAST FOUR
 TIMES THE HEIGHT OF THE
 CHARACTERS FOR LOW SPEED
 ROADS, BUT NOT MORE THAN
 TEN TIMES THE HEIGHT OF
 THE CHARACTERS UNDER
 ANY CONDITIONS.

STOP BARS ARE INSTALLED ONLY
 WHERE A STOP SIGN OR TRAFFIC
 SIGNAL ARE LOCATED.

* A SECOND 'ONLY' IS OPTIONAL
 WHEN SPACE PERMITS.
 MARKINGS START AT THE
 BEGINNING OF THE SOLID LANE
 LINE.

EXCLUSIVE TURN LANES
 (LEFT OR RIGHT) LANE
 LINES SHALL BE SOLID
 AND EXTEND BACK FROM
 THE STOP LINE TO THE
 POINT OF FULL LANE
 WIDTH OF THE TURN LANE.

TYPICAL MARKINGS FOR TURN LANES

NOTE:
 ALL DIMENSIONS SHOWN
 IN IMPERIAL UNITS (INCHES)

**SIGNING AND
 PAVEMENT MARKING DETAILS**

PROJECT NAME:	BRANDON	FILE NAME:	zb008s5-frml7.dgn	PLOT DATE:	9/3/2009
PROJECT NUMBER:	NH 019-3(495)	PROJECT LEADER:	CRB	DRAWN BY:	HJC
		DESIGNED BY:	LLC	CHECKED BY:	LLC
		CLD 02-0149		SHEET 241	OF 546