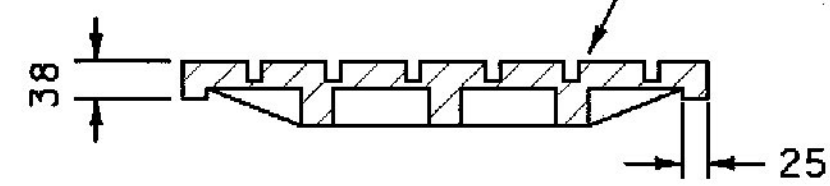
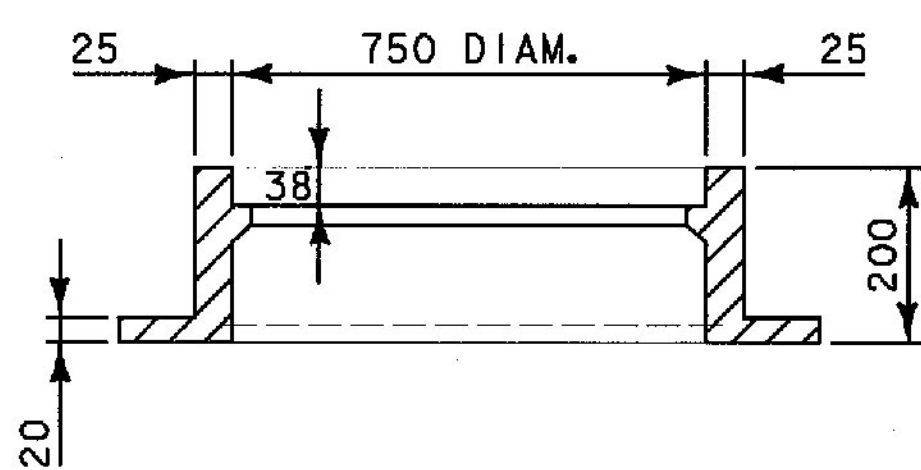


COVER PLAN

LETTERS TO BE RAISED 6 mm AND IN 6 mm DEPRESSION

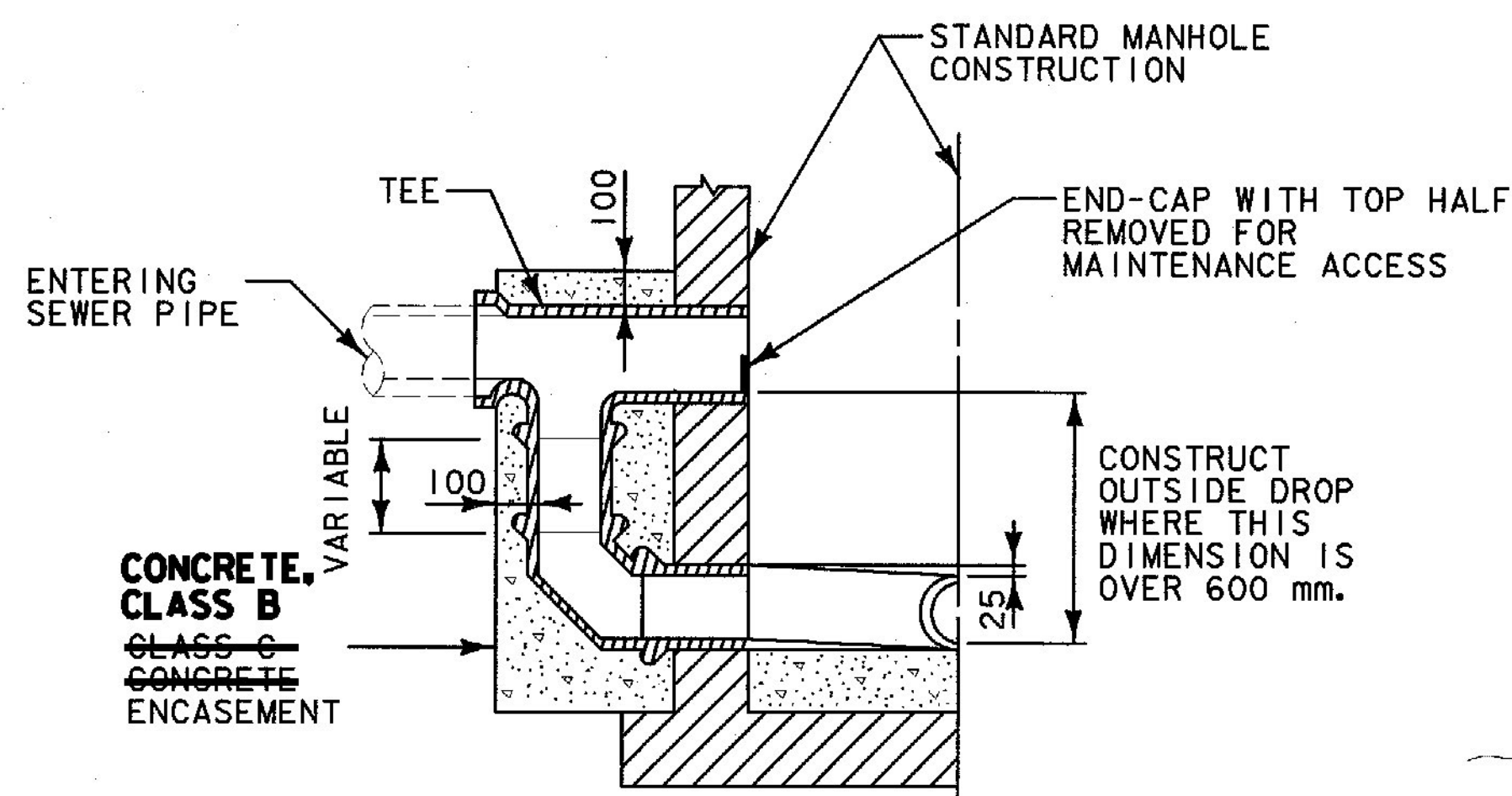


COVER SECTION

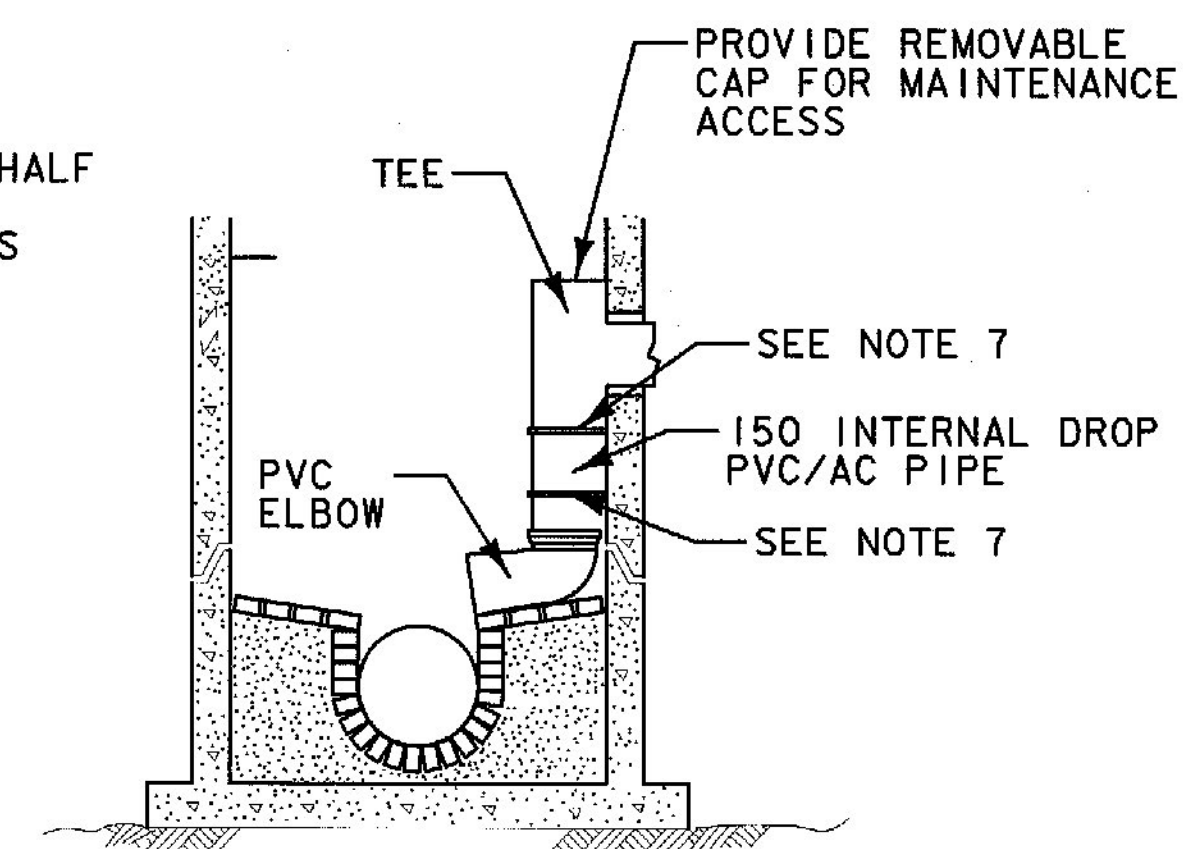


FRAME SECTION

MANHOLE FRAME AND COVER DETAIL



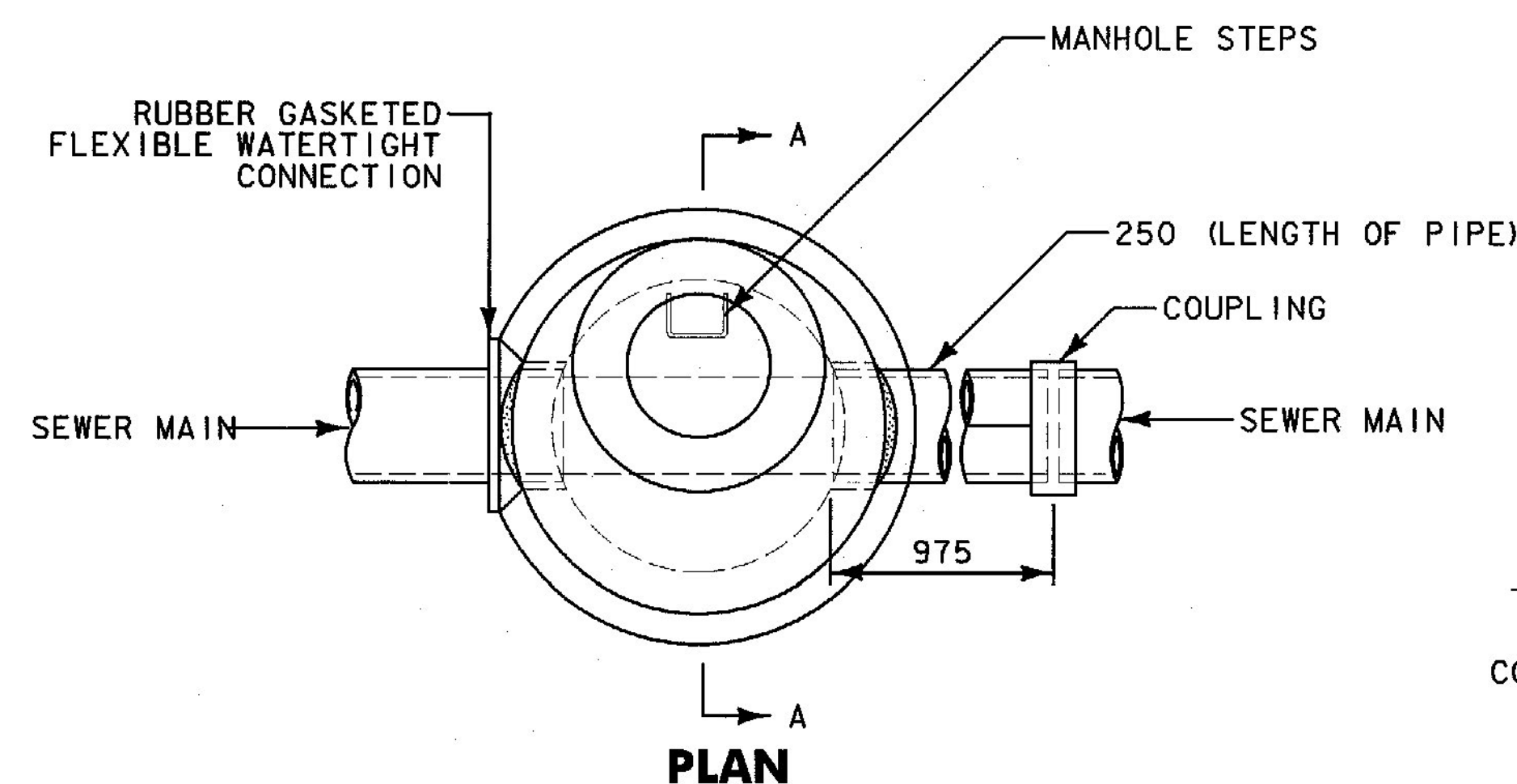
OUTSIDE MANHOLE DROP DETAIL



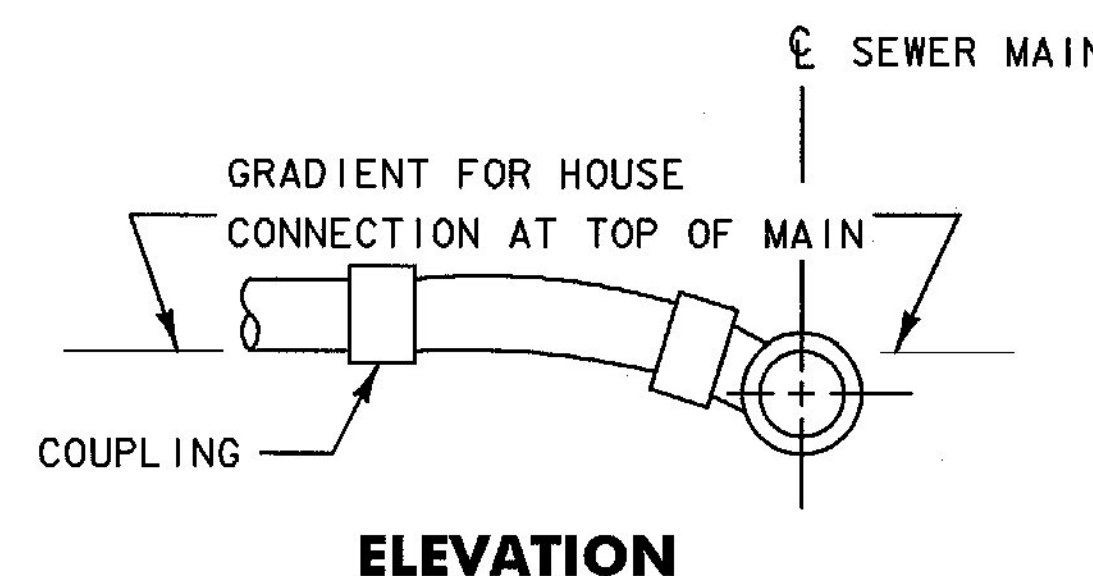
INSIDE MANHOLE DROP DETAIL FOR FORCE MAIN DISCHARGE ONLY

NOTES:

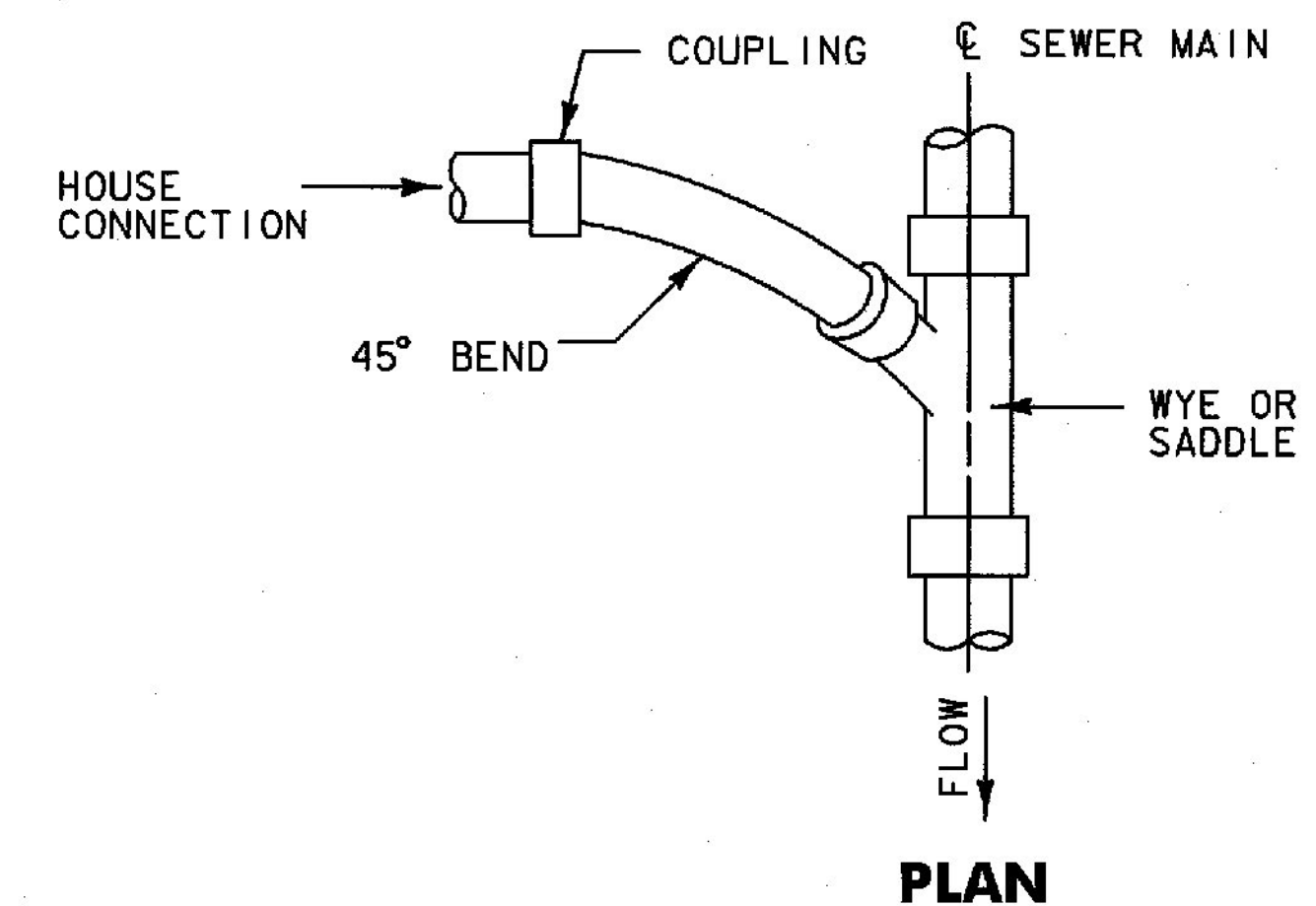
1. TRENCH EXCAVATION AND BACKFILLING OF SEWER PIPE SHALL BE AS SPECIFIED UNDER SECTION 628.
2. NO ADDITIONAL PAYMENT SHALL BE MADE FOR ABANDONING AND PLUGGING EXISTING PIPES WHEN DIRECTED BY THE ENGINEER.
3. CONCRETE ENCASEMENT OF SEWER LINES WILL BE REQUIRED WHERE THEY CROSS STORM DRAINS, WATER PIPES, OR OTHER STRUCTURES IN SUCH A MANNER AS TO IMPOSE UNUSUAL LOADING ON THE SEWER PIPE. **PAYMENT SHALL BE MADE UNDER ITEM 541.25, CONCRETE, CLASS B.**
4. EMBANKMENTS SHALL BE COMPLETED AND COMPACTED TO AN ELEVATION AT LEAST 300 mm ABOVE THE TOP OF THE SEWER PIPE PRIOR TO EXCAVATING A TRENCH IN WHICH TO INSTALL THE PIPE.
5. CHIMNEY DETAIL FOR HOUSE SEWER CONNECTION SHALL BE USED ONLY AS SHOWN ON THE PLANS OR WHEN DIRECTED BY THE ENGINEER.
6. HOUSE CONNECTIONS TO BE WYE OR SADDLE AS APPROVED BY THE ENGINEER, AND COMPATIBLE WITH EXISTING FACILITIES.
7. MINIMUM TWO STAINLESS STEEL STRAPS TO BE SECURED TO RECESSED STAINLESS STEEL 8 DIA. ROD UTILIZED AS STRAP LOOP.



PLAN

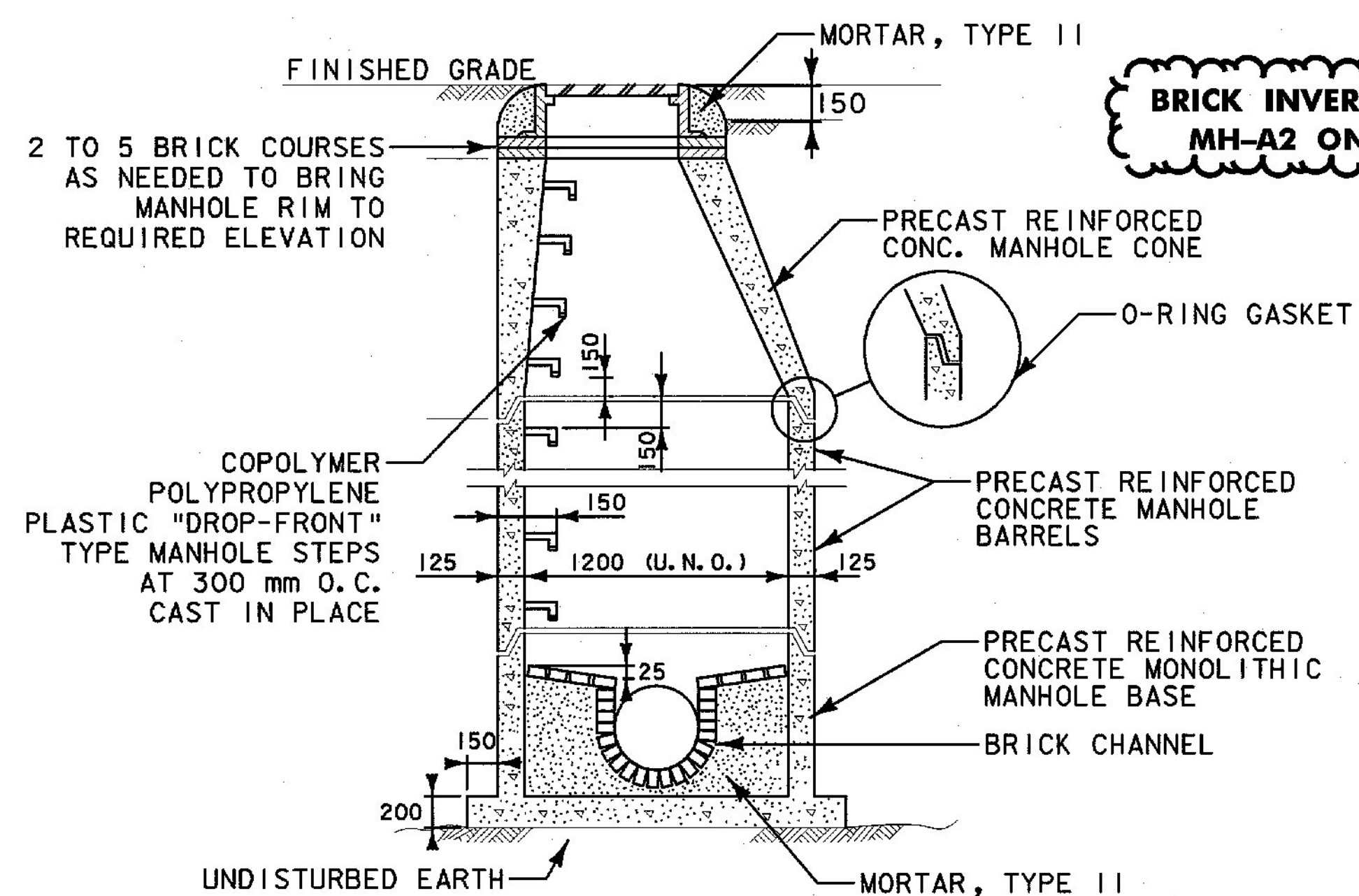


ELEVATION



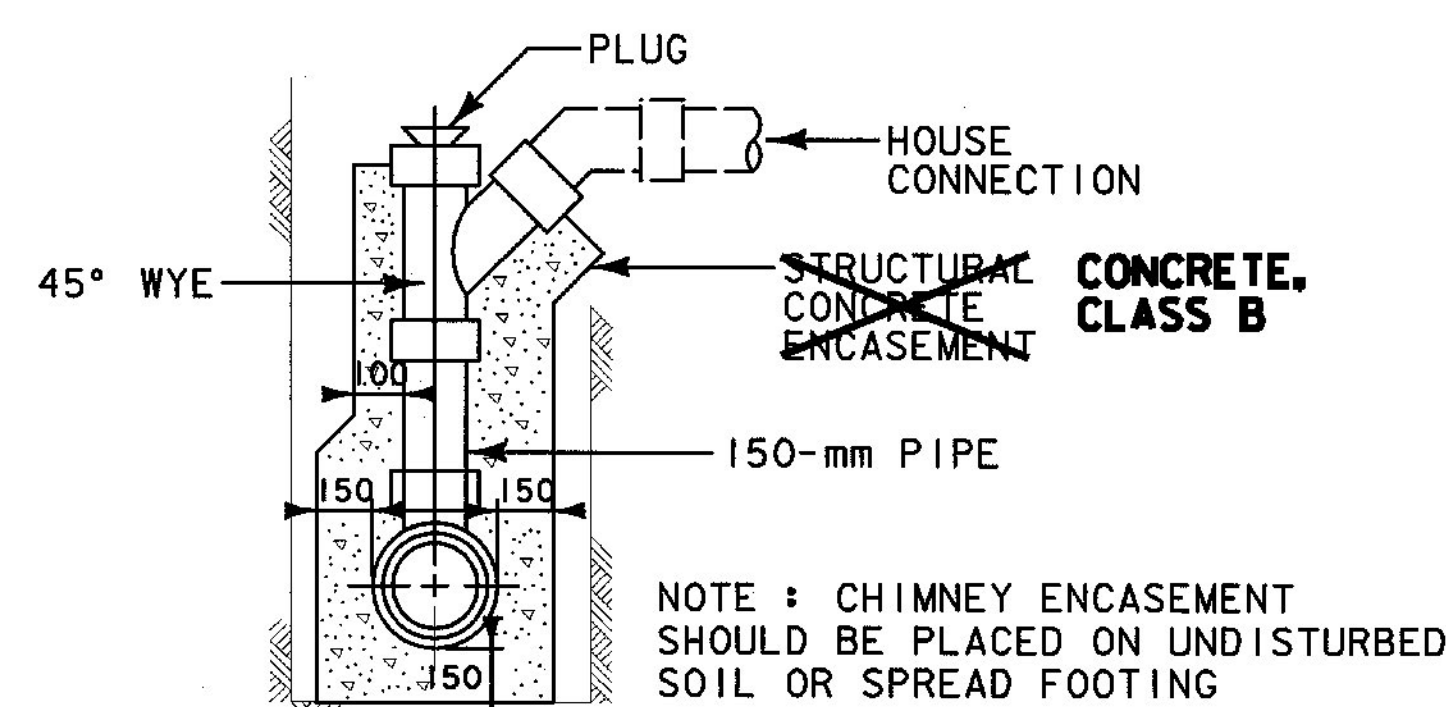
PLAN

SEWER CONNECTION

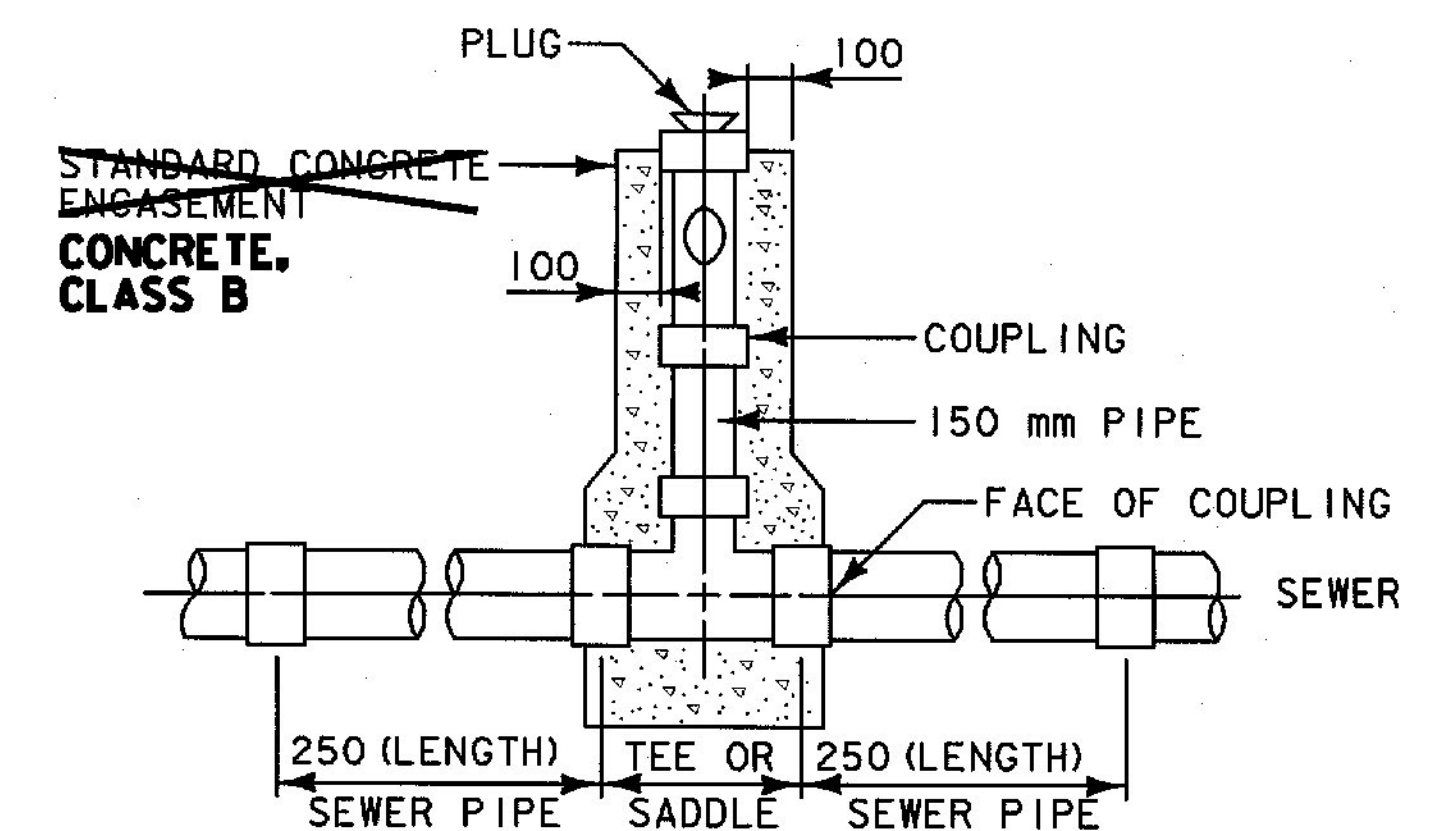


SECTION A-A

PRECAST REINFORCED CONCRETE SANITARY SEWER MANHOLE



SECTION



ELEVATION

CHIMNEY DETAILS FOR HOUSE SEWER CONNECTION

3	AUG. 2009	MODIFIED TO ADDRESS CONTRACT ADMINISTRATIONS COMMENTS
2	MAR. 2009	BRANDON SEGMENT 5 PLAN REVISIONS
1	JAN. 2006	MODIFIED TO ADDRESS APRIL 18, 2005 WATER SUPPLY DIVISION COMMENTS

SEWER DETAILS

PROJECT NAME:	BRANDON
PROJECT NUMBER:	NH 019-3(496)
FILE NAME:	zb008s6-swrdef.dgn
PROJECT LEADER:	HJM
DESIGNED BY:	DAL
SHEET	144 OF 546
PLOT DATE:	1/9/2006
DRAWN BY:	KLS
CHECKED BY:	DAL
DEC SHEET	165 OF 437