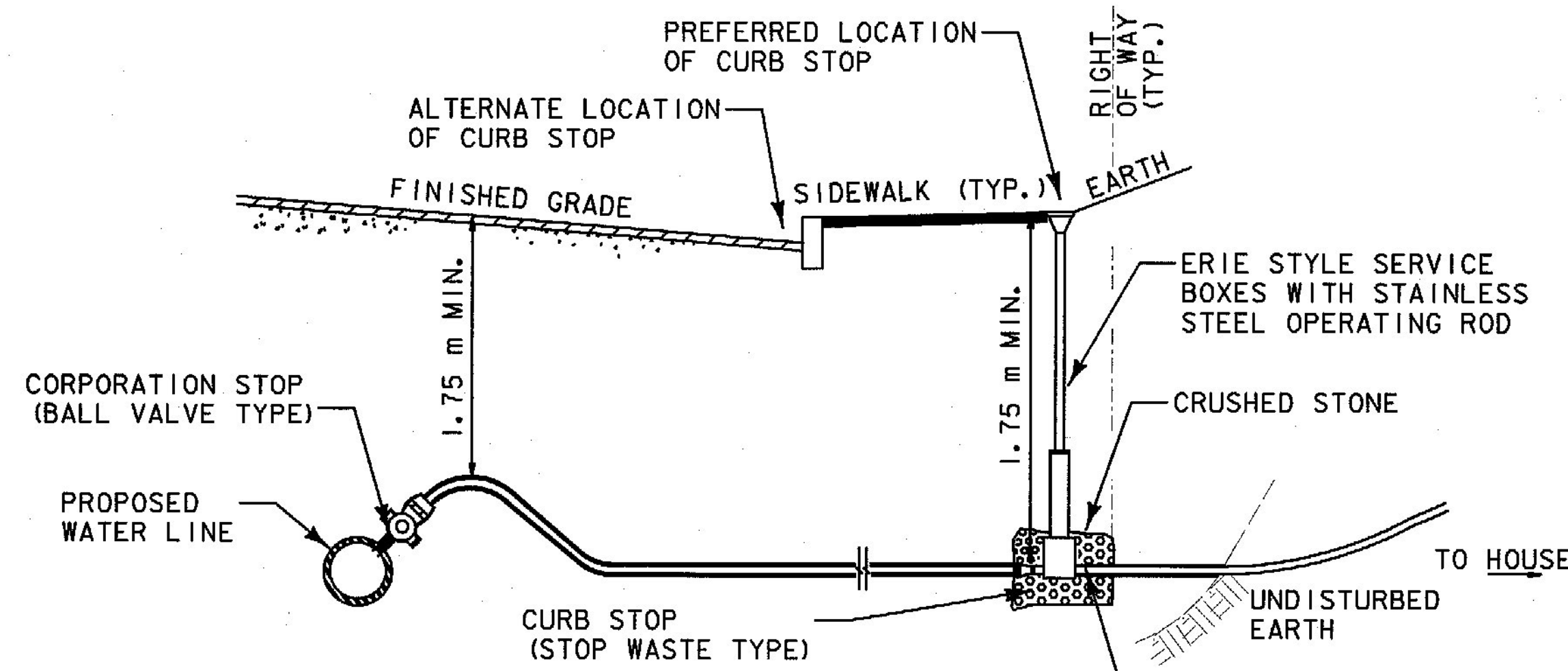


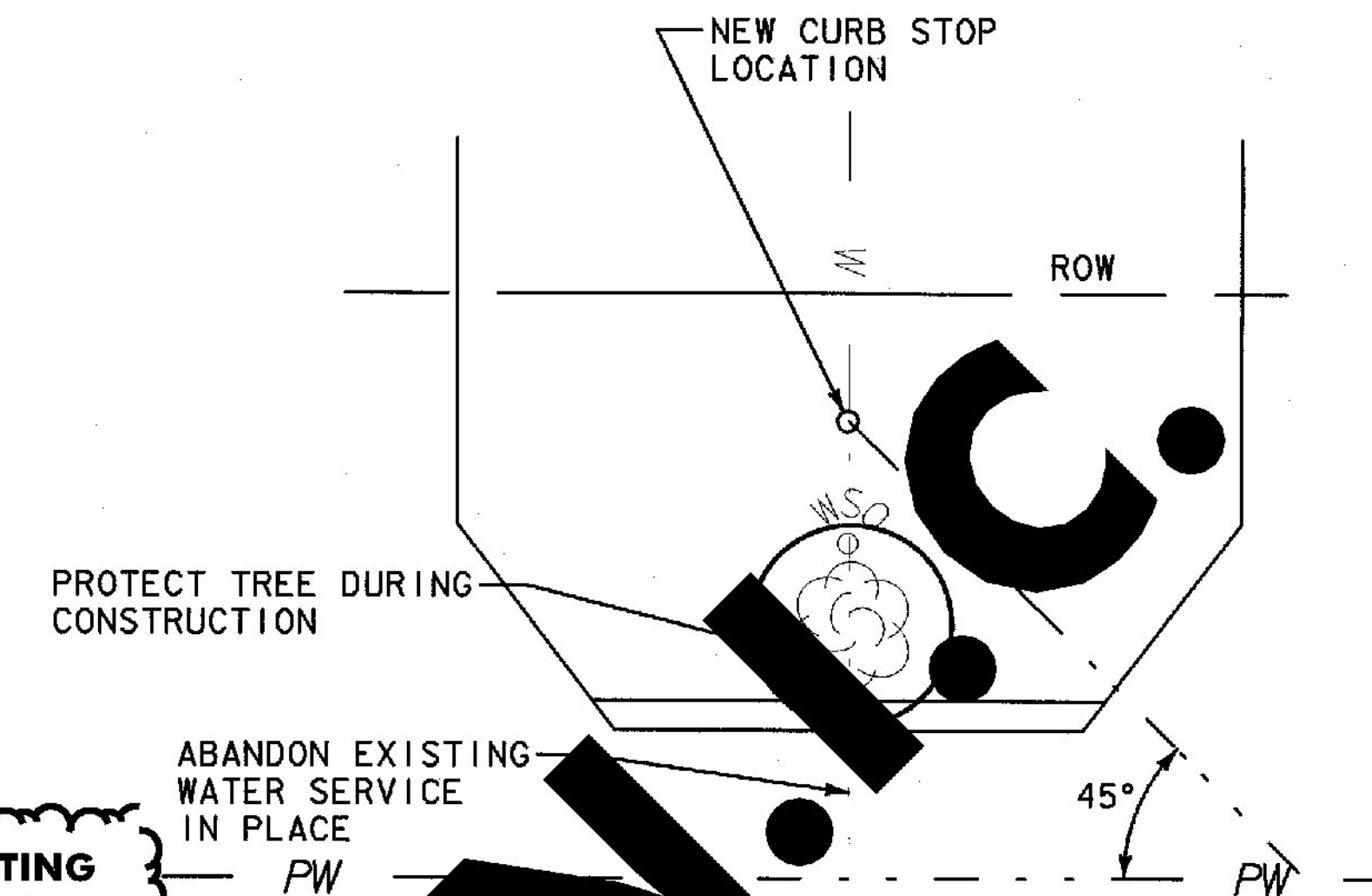
TYPICAL SECTION THROUGH ALLEY
LOOKING NORTH
STA 80+006

**BRANDON ALLEY
WATER MAIN INSTALLATION**
(DIMENSIONS IN METERS)

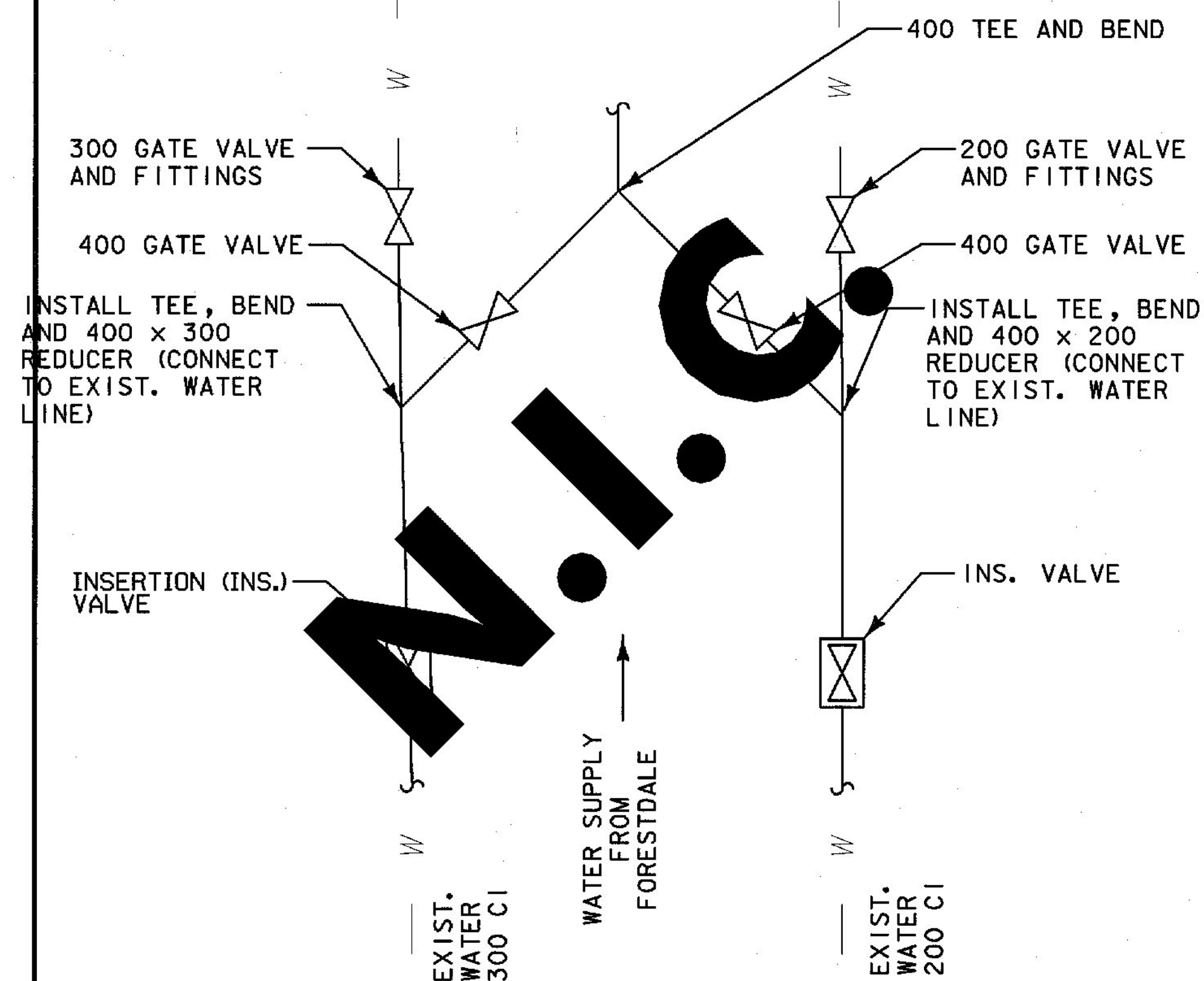


- NOTES:
1. INSTALLED SERVICE SIZE SHOWN BASED ON EXISTING SERVICE LINE SIZE OR AS DIRECTED BY ENGINEER AND FIRE DISTRICT #1. COMPRESSION FITTINGS SHALL BE USED.
 2. FIELD APPLY STRIP TYPE INSULATION SUITABLE FOR UNDERGROUND INSTALLATION TO CORPORATION STOP.
 3. CURB BOX TO BE INSTALLED SUCH THAT ITS COVER IS FREE OF ANY OBSTRUCTIONS. CURB BOXES SHALL NOT BE INSTALLED WITHIN ROAD CURB.

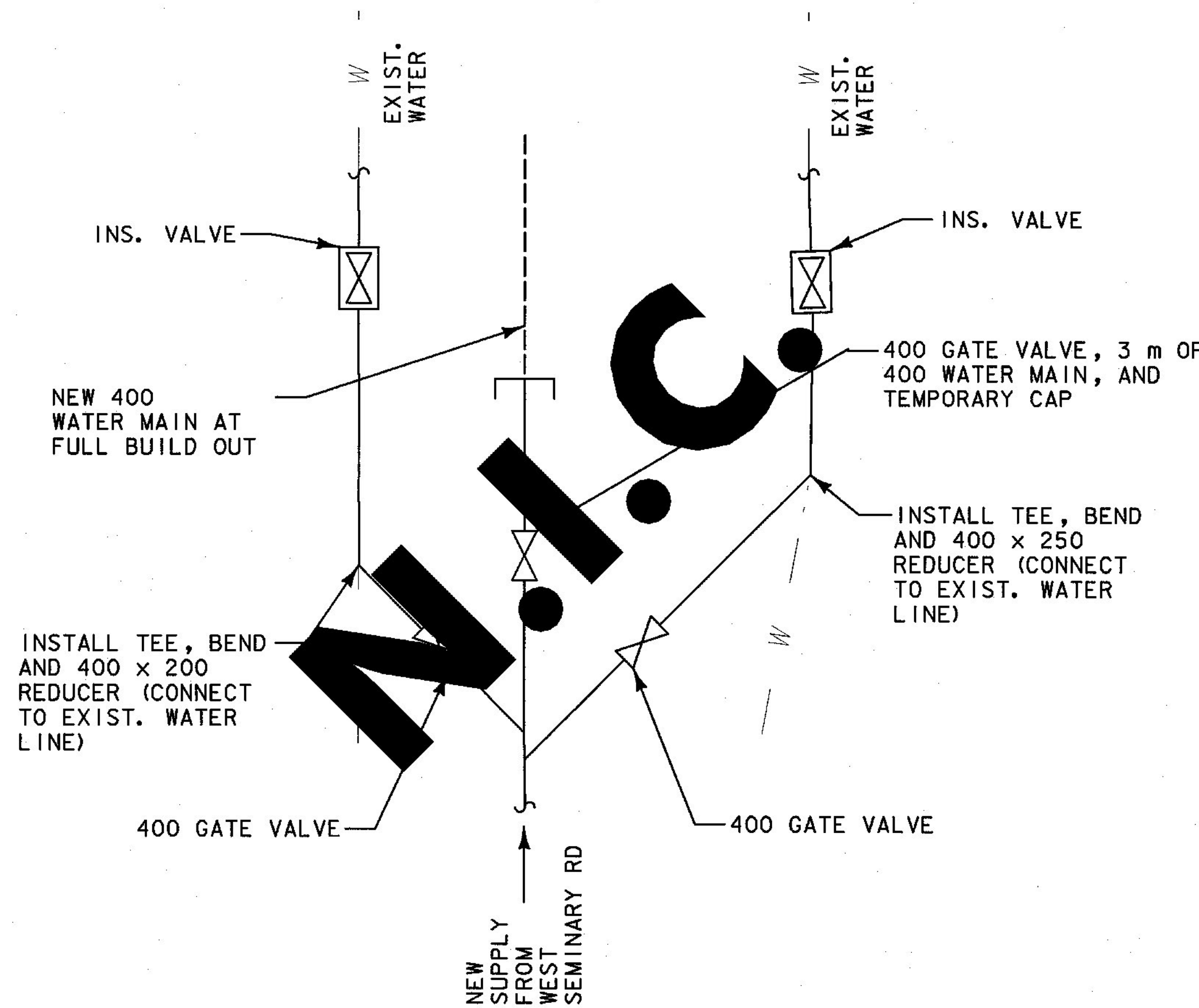
TYPICAL WATER SERVICE CONNECTION DETAIL



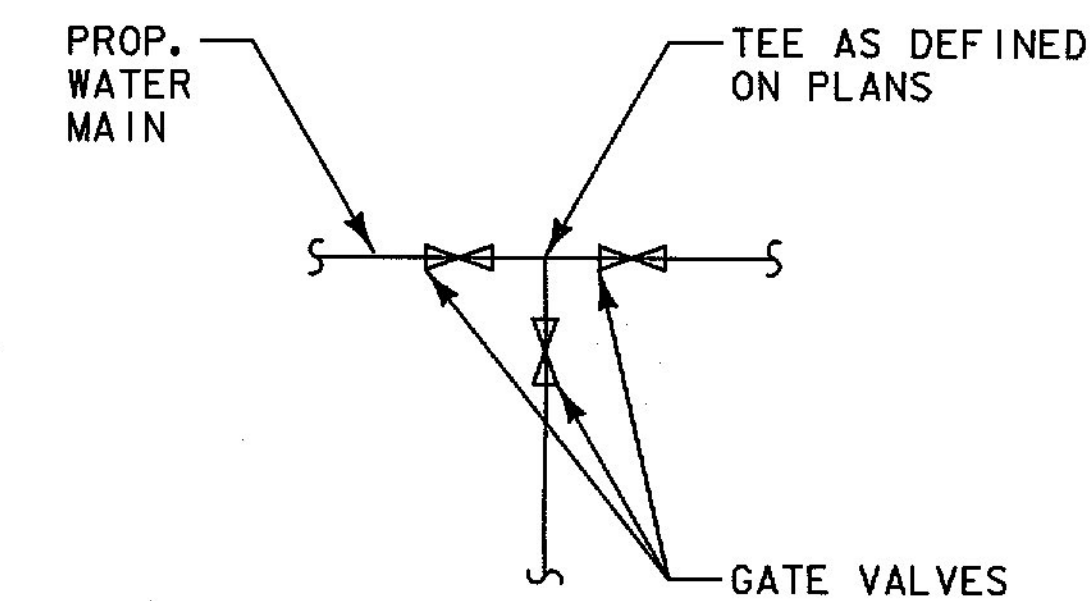
ALTERNATIVE WATER SERVICE PLAN (TYP.)



**INTERCONNECT #1
VT 73 EAST
STA 36+100**



**INTERCONNECT #2
US 7
STA 21+860**



TYPICAL GATE VALVE SETUP

3	AUG. 2009	MODIFIED TO ADDRESS CONTRACT ADMINISTRATIONS COMMENTS
2	MAR. 2009	BRANDON SEGMENT 5 PLAN REVISIONS
1	JAN. 2006	MODIFIED TO ADDRESS APRIL 18, 2005 WATER SUPPLY DIVISION COMMENTS

WATER DETAILS 2

PROJECT NAME: BRANDON
PROJECT NUMBER: NH 019-3(496)

FILE NAME: zb008s6-swrdet.dgn PLOT DATE: 1/9/2006
PROJECT LEADER: HJM DRAWN BY: KLS
DESIGNED BY: DAL CHECKED BY: DAL
SHEET 142 OF 546 DEC SHEET 163 OF 437

