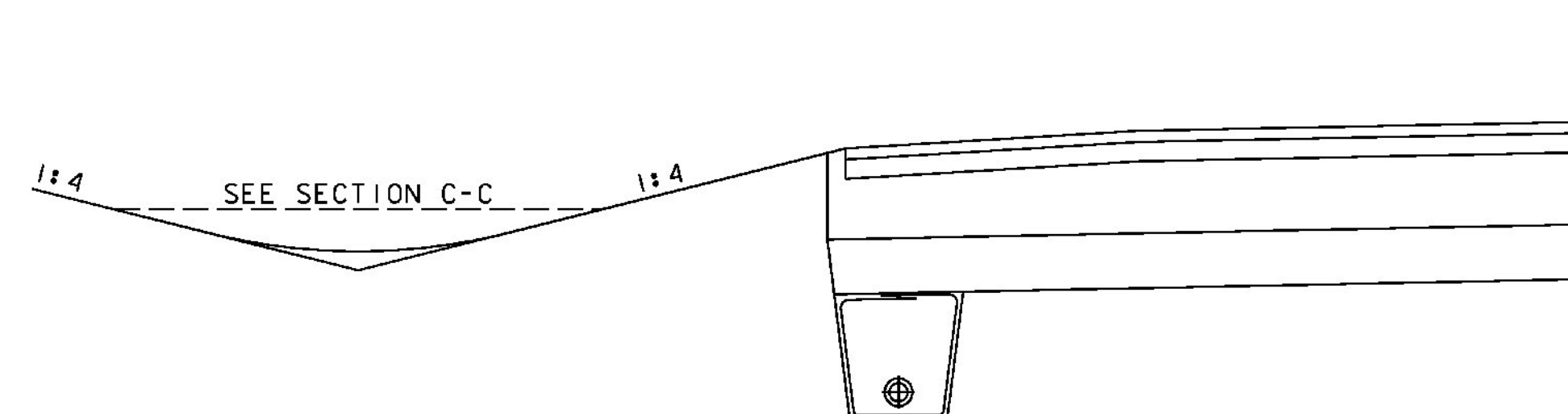
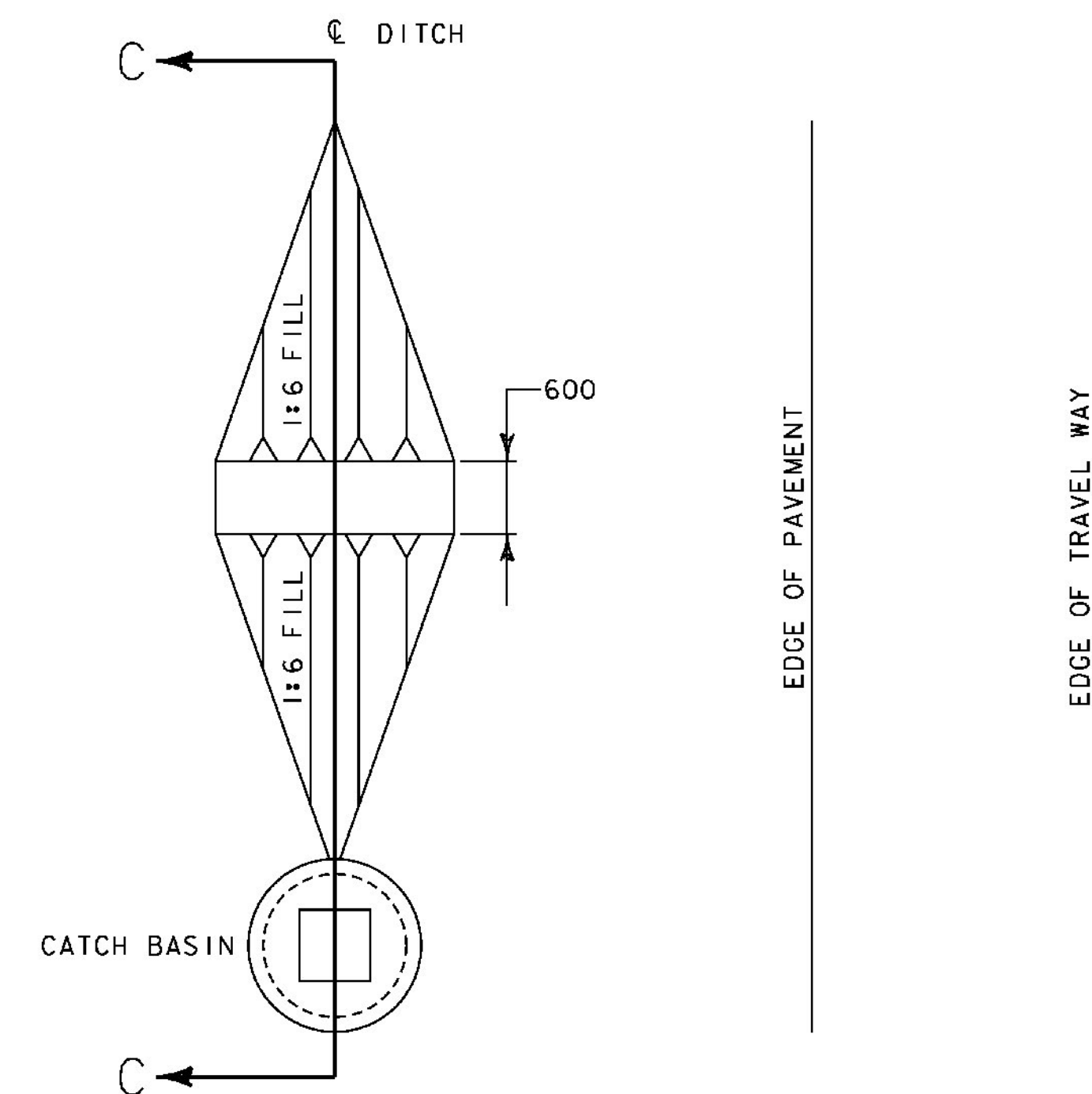


SECTION C-C

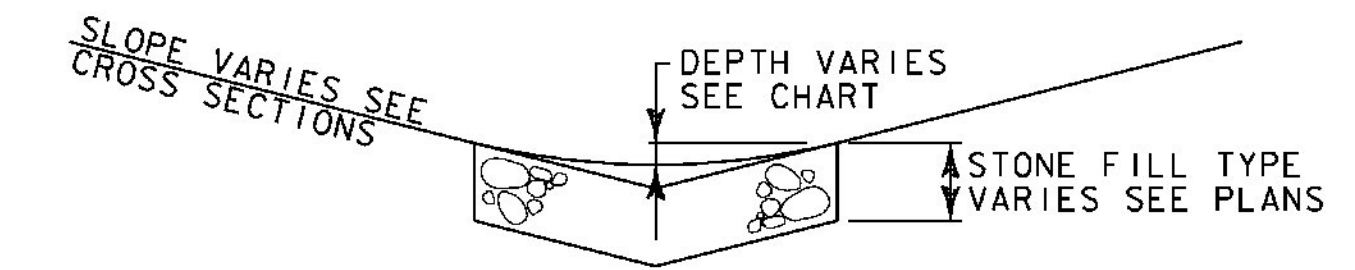


TYPICAL DITCH CHECK DETAIL

(NOT TO SCALE)

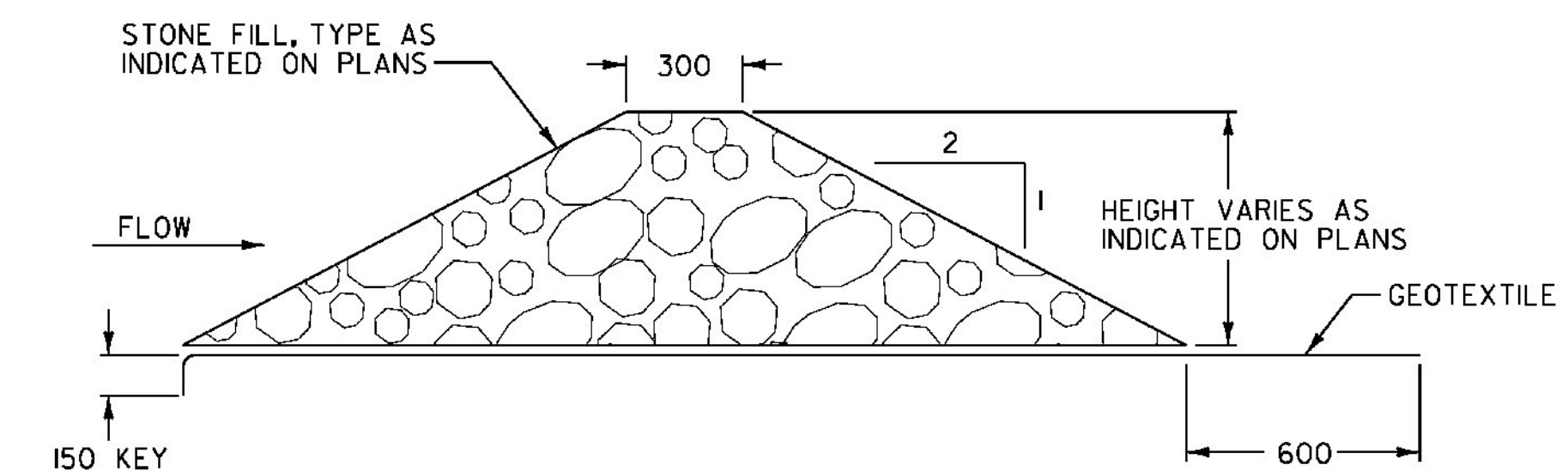
STA	STA	POS	DEPTH OF FLOW
16+480	16+495	RT	250 mm
16+520	16+560	RT	250 mm
16+780	16+812	RT	250 mm
17+009	17+030	LT	200 mm
17+200	17+265	RT	580 mm
17+800	17+815	LT	250 mm
18+015	18+035	RT	200 mm
18+784	18+813	LT	380 mm
18+813	18+830	LT	200 mm
19+730	19+765	LT	200 mm
19+760	20+115	RT	500 mm
19+995	20+075	LT	600 mm
20+120	20+160	RT	450 mm
20+180	20+260	RT	500 mm
20+320	20+520	RT	450 mm
20+520	20+550	RT	250 mm
20+410	20+440	LT	450 mm
20+440	20+480	LT	250 mm
20+640	20+730	LT	450 mm
20+735	20+780	RT	150 mm

DEPTH OF FLOW INCLUDES 150 mm FREEBOARD WHERE AVAILABLE

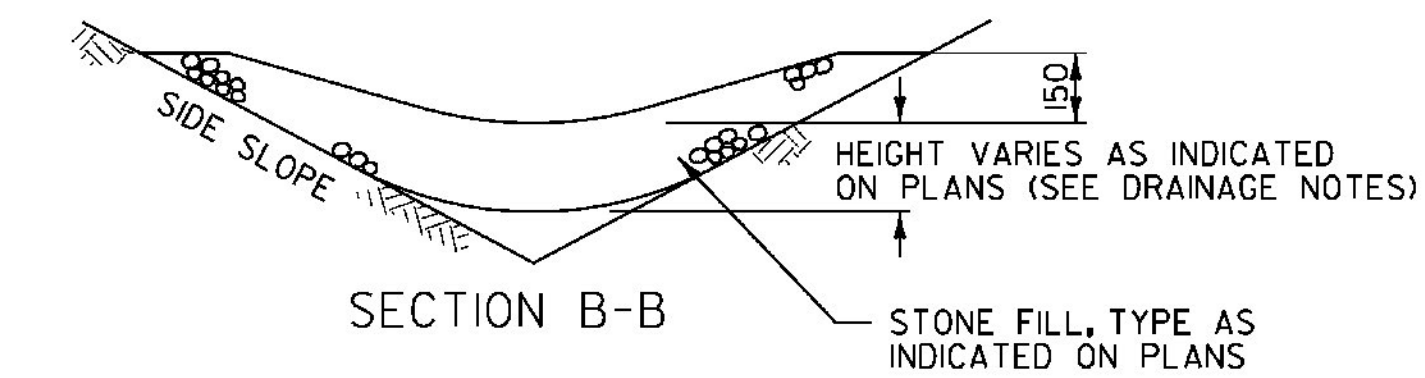


STONE LINED DITCH DETAIL

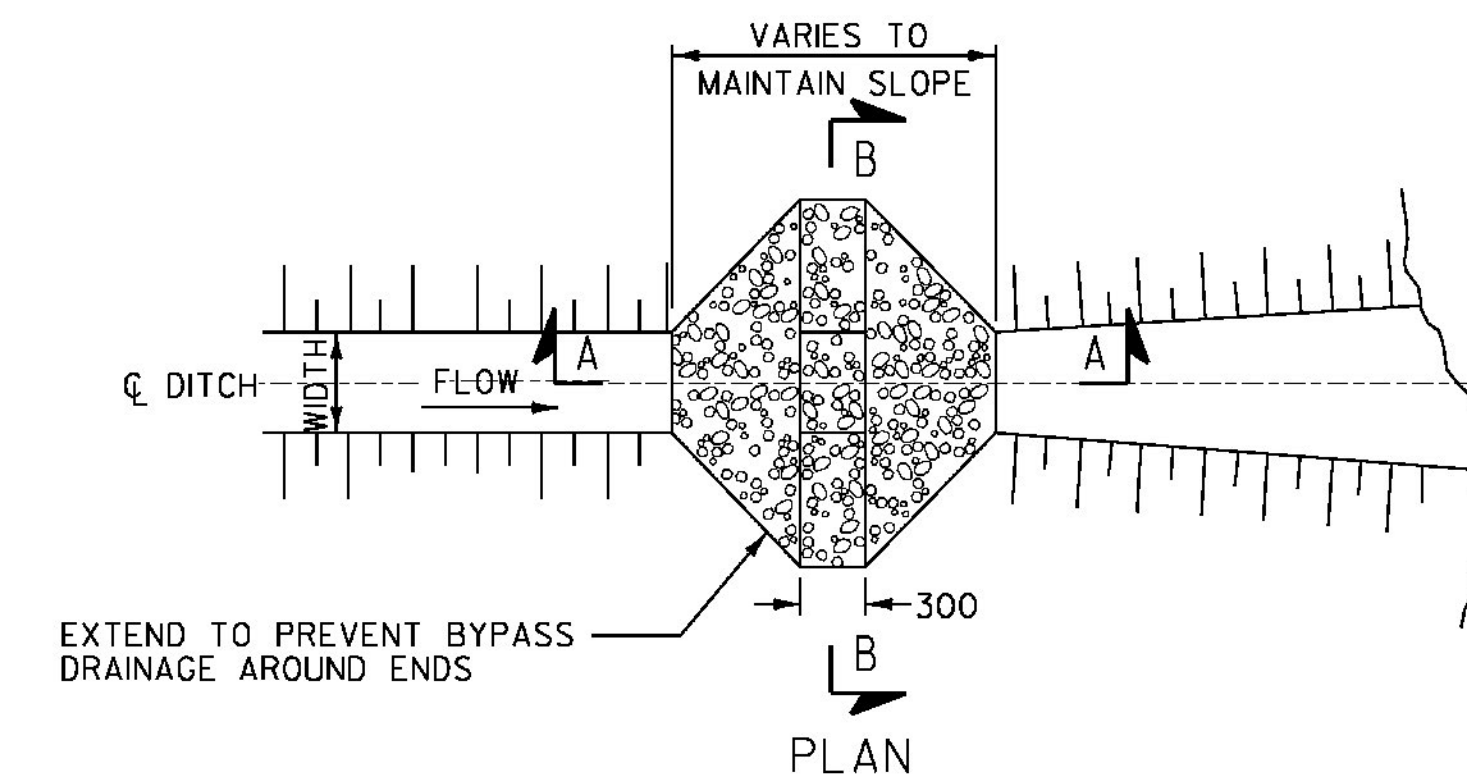
(NOT TO SCALE)



SECTION A-A



SECTION B-B



EXTEND TO PREVENT BYPASS DRAINAGE AROUND ENDS

SPECIAL PROVISION (PERMANENT STONE FILL CHECK DAM, TYPE I) DETAIL

(NOT TO SCALE)

DRAINAGE DETAIL 2

PROJECT NAME:	BRANDON
PROJECT NUMBER:	NH 019-3(495)
FILE NAME:	zb008s5-frml5.dgn
PROJECT LEADER:	CRB
DESIGNED BY:	DAM
CLD 02-0149	
PLOT DATE:	9/3/2009
DRAWN BY:	NLL
CHECKED BY:	PTS
SHEET	136 OF 546