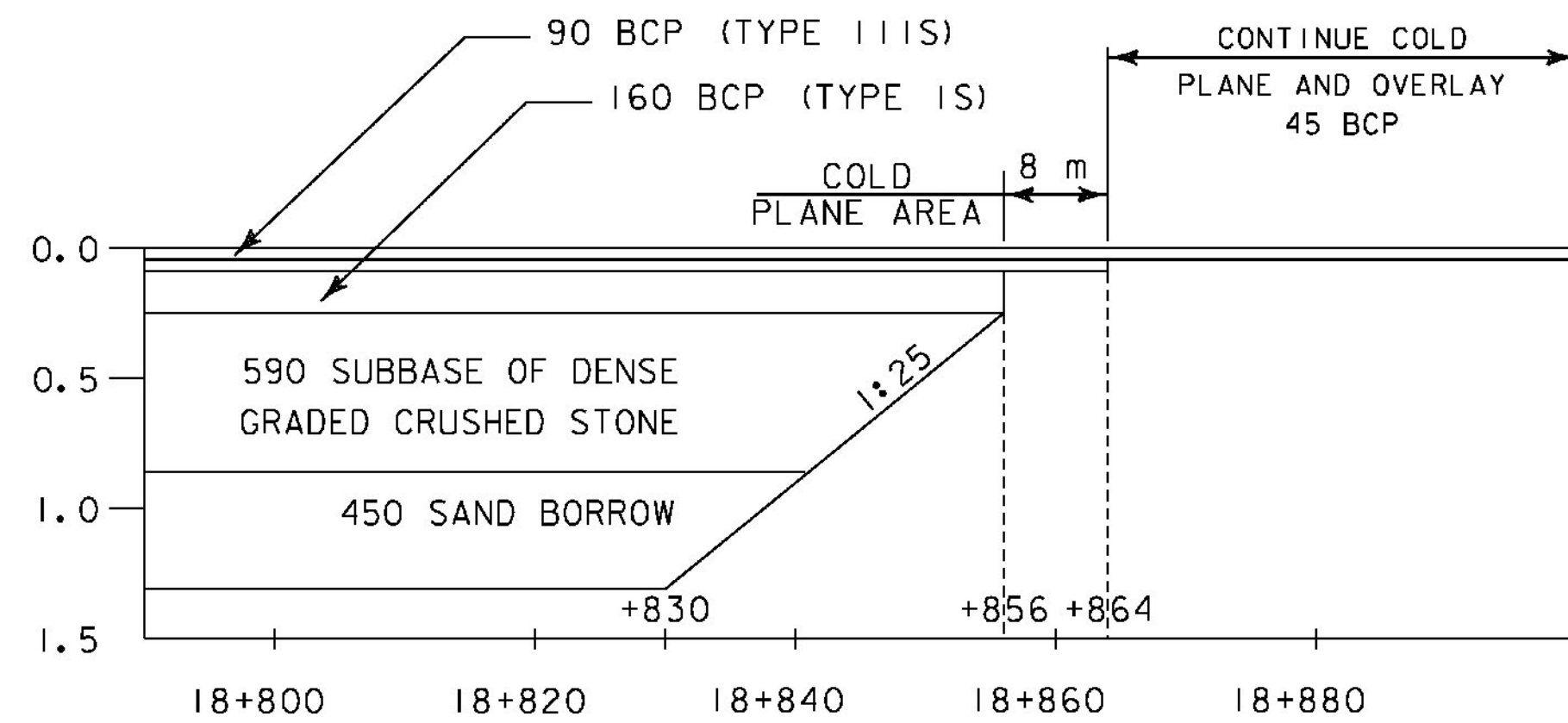
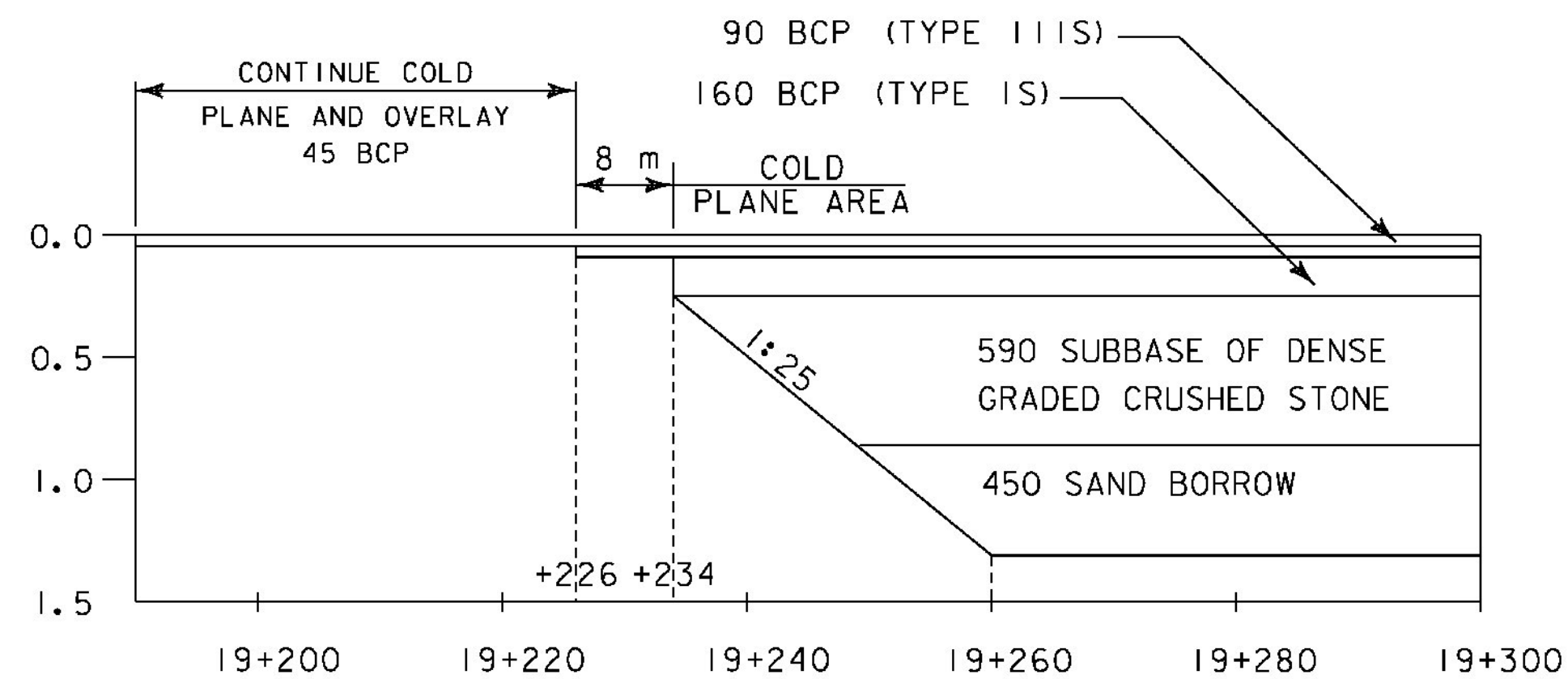


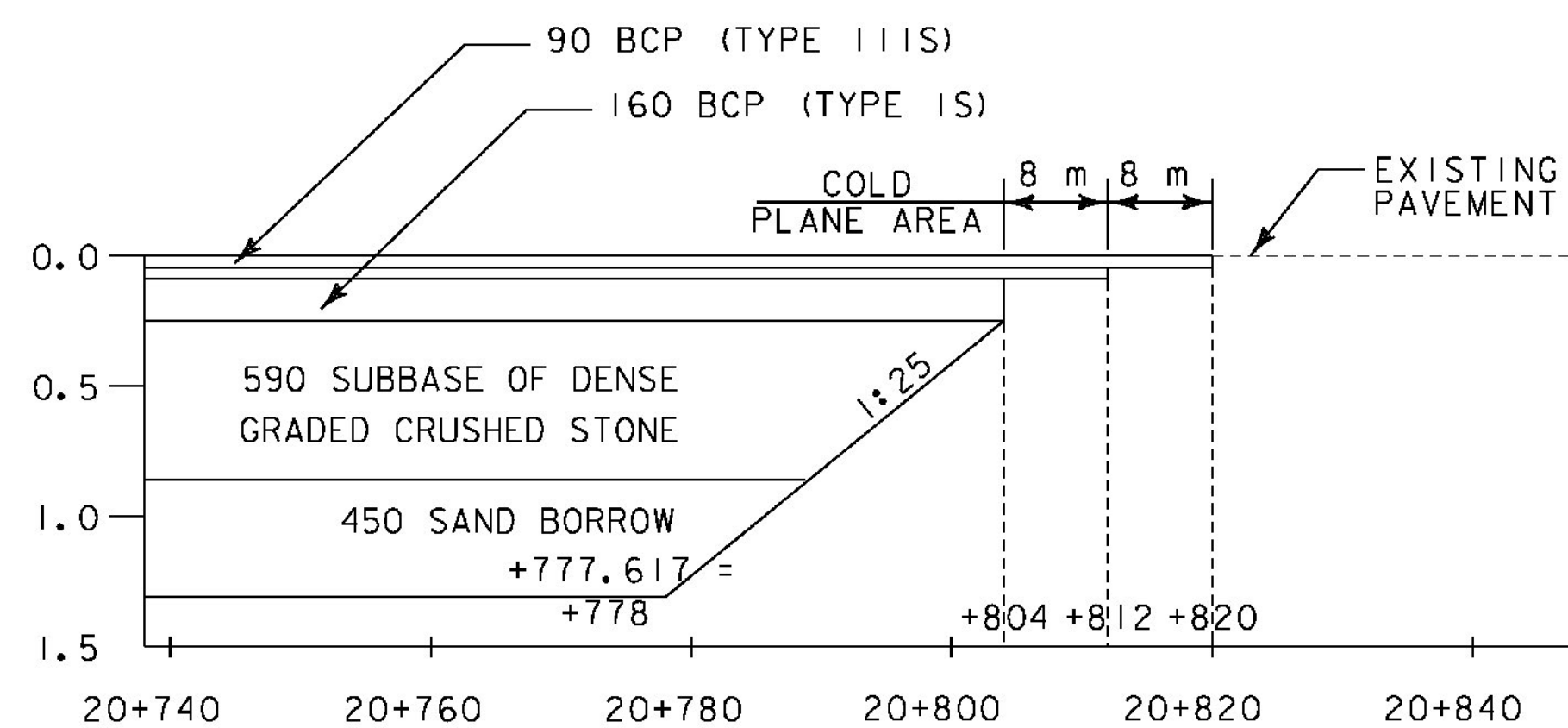
US 7 APPROACH #1
(NOT TO SCALE)



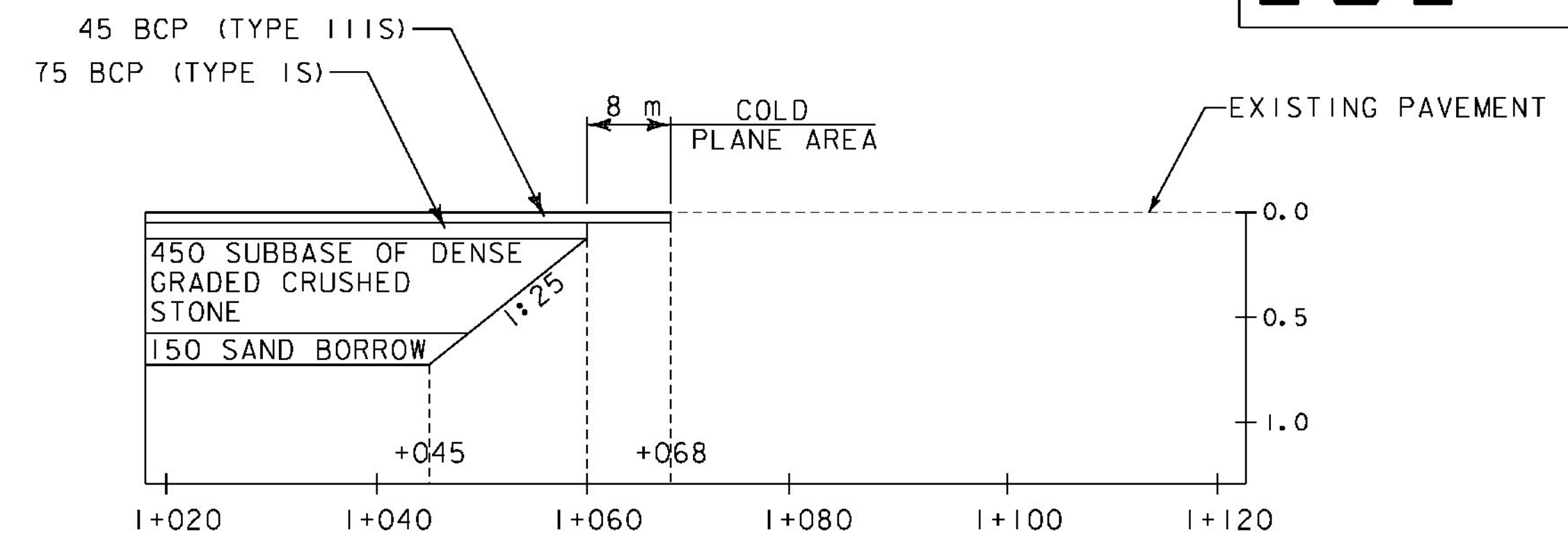
US 7 APPROACH #2
(NOT TO SCALE)



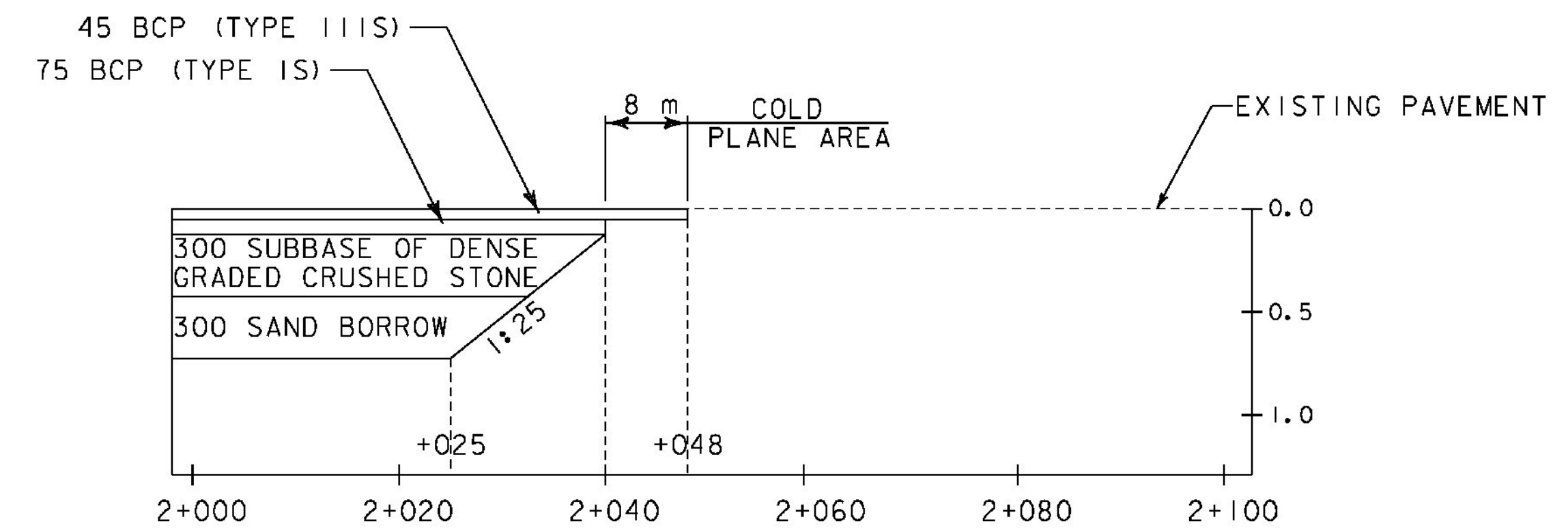
US 7 APPROACH #3
(NOT TO SCALE)



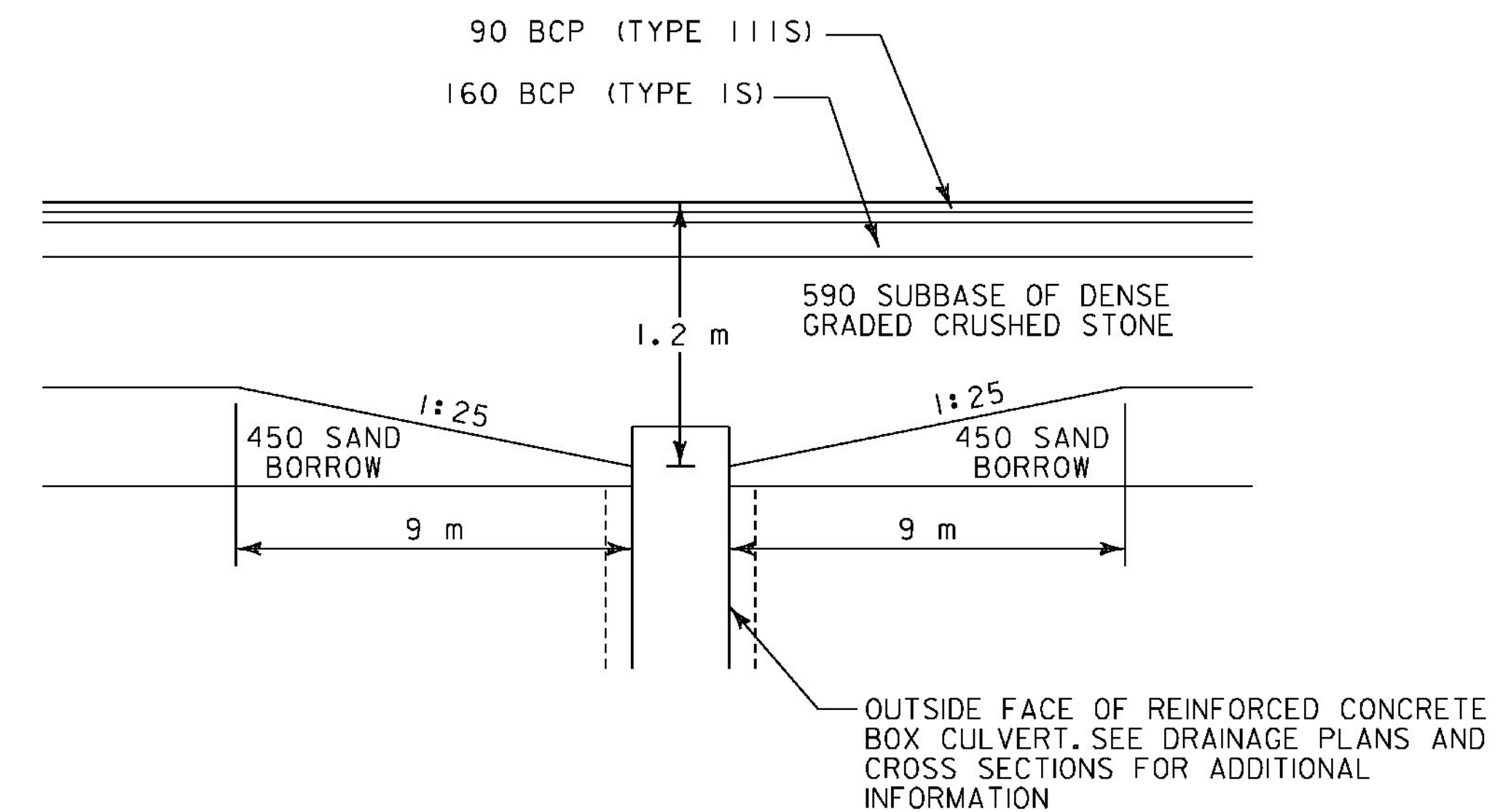
US 7 APPROACH #4
(NOT TO SCALE)



McCONNELL ROAD
(NOT TO SCALE)



NICKERSON ROAD
(NOT TO SCALE)



US 7 - RCB (18+127)
(NOT TO SCALE)

MATERIAL TRANSITION DIAGRAM

| | |
|-----------------|-------------------|
| PROJECT NAME: | BRANDON |
| PROJECT NUMBER: | NH 019-3(495) |
| FILE NAME: | zb008s5-frm05.dgn |
| PROJECT LEADER: | CRB |
| DESIGNED BY: | DAM |
| CLD 02-0149 | |
| PLOT DATE: | 9/3/2009 |
| DRAWN BY: | HJC |
| CHECKED BY: | PTS |
| SHEET 126 | OF 546 |